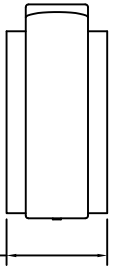


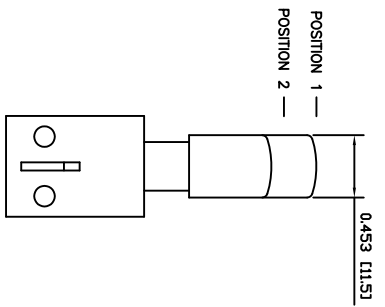
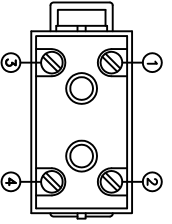
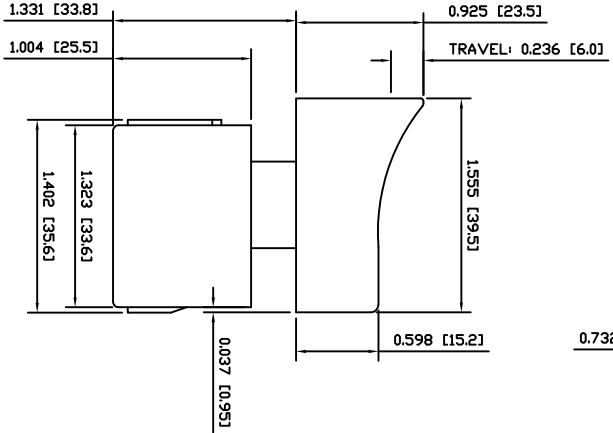
SPECIFICATIONS
FUNCTION:
 2P1T OFF-(ON)
RATINGS:
 ANSI/UL 1054 and CAN/CSA C22.2 No. 55 (E194579):
 18A 125VAC [cURus]
 12A 250VAC [cURus]

OPERATING FORCE:
 3.0kgf±0.5kgf
ELECTRICAL LIFE:
 6,000 Cycles [cURus]

APPROVALS:
 **SAVUS**

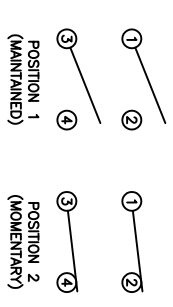
0.732 [18.6]




COLORS

BODY: White
ACTUATOR: Black
LOCK: None

SCHEMATIC



 **E-SWITCH®**

HY15-6E7-091-0000

DRAWING NUMBER 34-H156E7/0910000 **DATE** FEBRUARY 08, 2012 **REVISION** B

REV.	DATE	BY	CHK
A	09/07/10	CAB	CAB
A	09/07/10	CAB	CAB

THE INFORMATION CONTAINED IN THIS DOCUMENT IS PROPRIETARY TO E-SWITCH AND IS NOT TO BE COPIED OR TRANSMITTED

REV.	DESCRIPTION	DATE	BY	CHK
A	Removed IIV reference information	01/18/13	BA	BA
B	RELEASE FOR PRODUCTION	02/08/12	BA	BA

DIMENSIONS
 INCHES [MILLIMETERS]
GENERAL TOLERANCES ±0.008 [±0.2] / ±.1
PROJECTION 