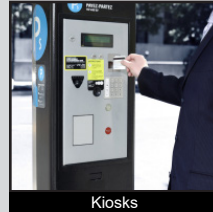
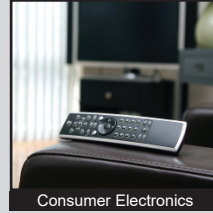


# PMV6 SERIES ANTI-VANDAL SWITCH



## APPLICATIONS / MARKETS



RoHS

## SPECIFICATIONS

**Electrical Rating:** 2A, 24VDC  
**Electrical Life:** 10,000 Cycles  
**Contact Resistance:** 100mΩ Max. @ 1A/12VDC (Initial Value)  
**Insulation Resistance:** 100 MΩ Min. @ 500VDC  
**Dielectric Strength:** 500Vrms @ sea level  
**Operating Temperature:** -20°C to 65°C  
**Travel:** 1.5mm  
**Moisture Protection:** IP67  
**Contact Arrangement:** SPST On-(On)  
 SPST Off-(On)  
 SPST On-(Off)  
**Actuation Force:** 7N ±2N  
**Panel Thickness:** 1-7mm  
**Mounting Nut Torque:** 0.5-1Nm Max.

## FEATURES & BENEFITS

- 16mm panel cutout
- UL3385 20AWG pre-stripped and tinned wire leads
- Multiple Cap Colors
- 10,000 Cycle Electrical Life
- Crisp tactile response
- IP67 rated

## PART NUMBER CONFIGURATOR

### Series



PMV6

### Actuator



D - Domed

### Terminal



W - Wire leads  
500mm

### Function Options



1 - SPST On - (On)\*  
 2 - SPST Off - (On)\*  
 3 - SPST On - (Off)\*

### Housing



B - Black  
Nylon 6/6

### Cap Colors



BLK - Black  
 RED - Red  
 GRN - Green  
 WHT - White  
 BLU - Blue  
 YEL - Yellow

### NOTES:

\*( ) Denotes function is momentary

Specifications subject to change without notice 5.14.2021



E-SWITCH®

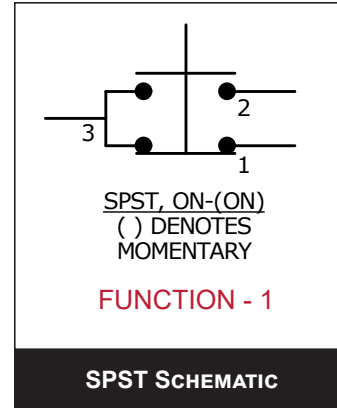
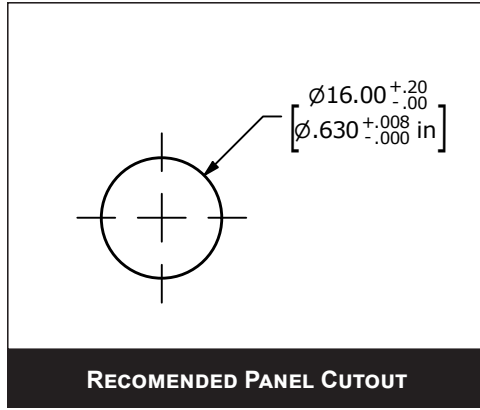
www.e-switch.com

800.867.2717

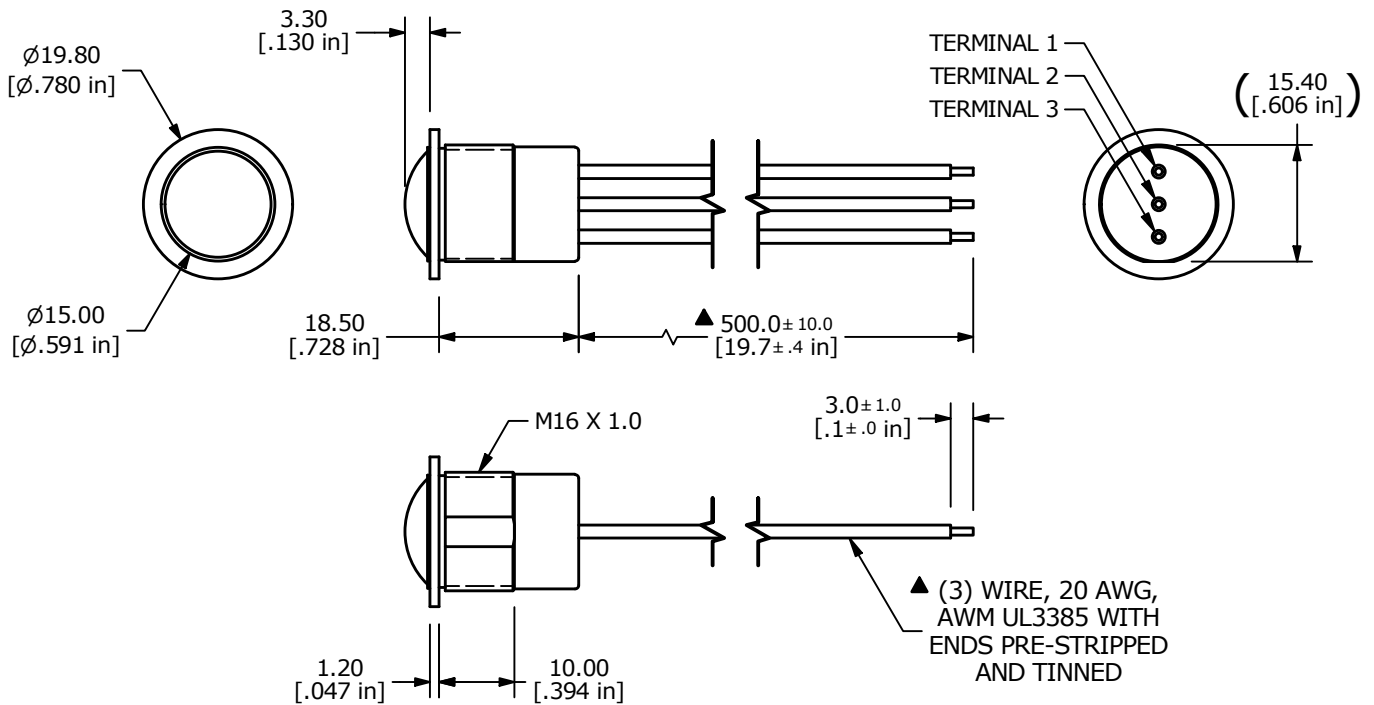
1

# PMV6 SERIES ANTI-VANDAL SWITCH

## BODY DIMENSIONS SPDT OFF-(ON)



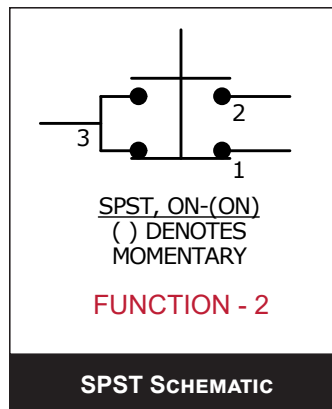
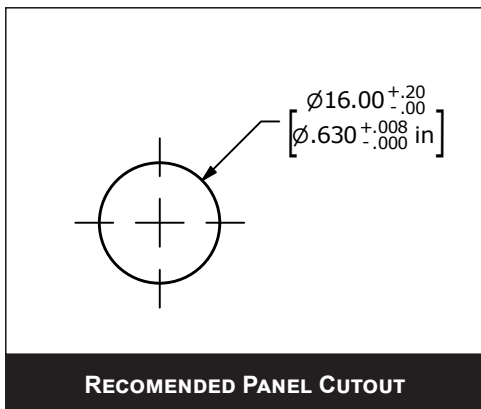
SWITCH	WIRE	LENGTH
SW1-1	WIRE, 20AWG AWM UL3385, GREEN	500.0 [19.7 in]
SW1-2	WIRE, 20AWG AWM UL3385, BLUE	500.0 [19.7 in]
SW1-3	WIRE, 20AWG AWM UL3385, BLACK	500.0 [19.7 in]



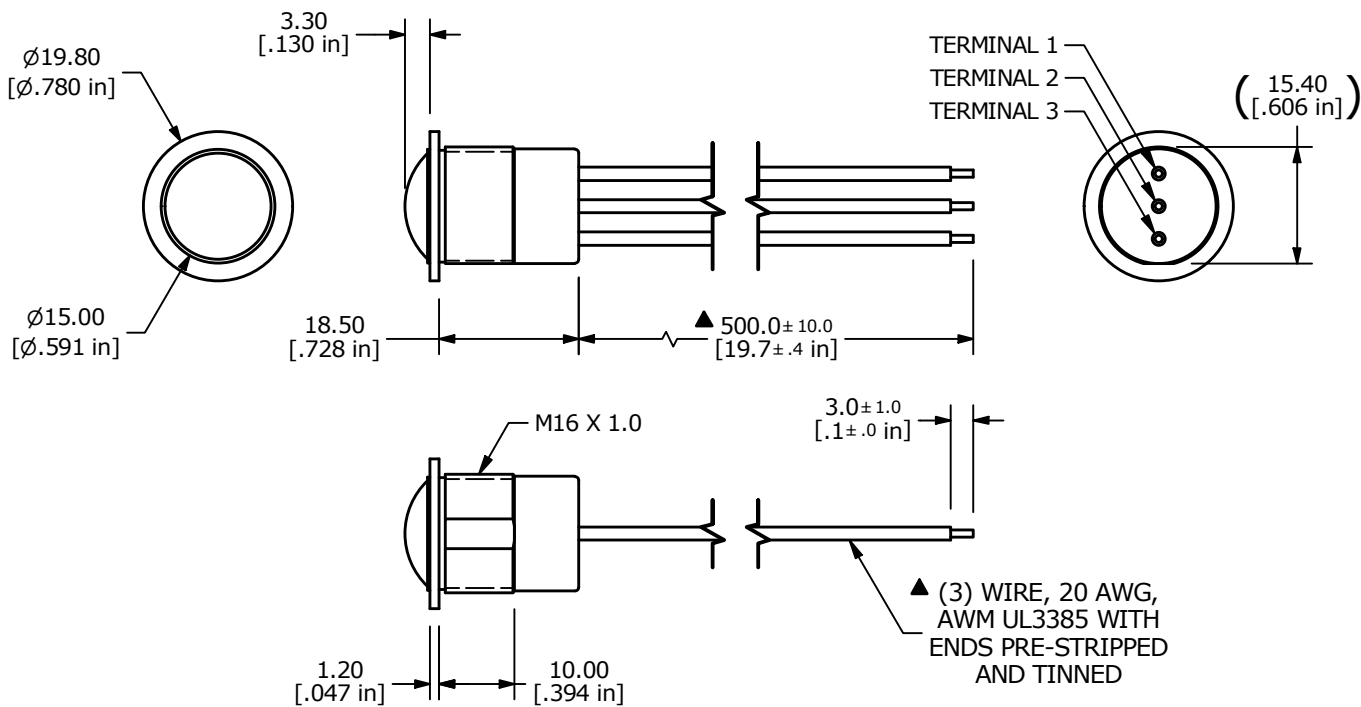
# PMV6 SERIES ANTI-VANDAL SWITCH

## BODY DIMENSIONS SPST OFF-(ON)

ANTI-VANDAL SWITCHES  
DETECTOR SWITCHES  
DIP SWITCHES  
KEYLOCK SWITCHES  
NAVIGATION SWITCHES  
PUSHBUTTON SWITCHES  
ROCKER SWITCHES  
ROTARY SWITCHES  
SLIDE SWITCHES  
SNAP ACTION SWITCHES  
TACTILE SWITCHES  
TOGGLE SWITCHES  
CAP OPTIONS

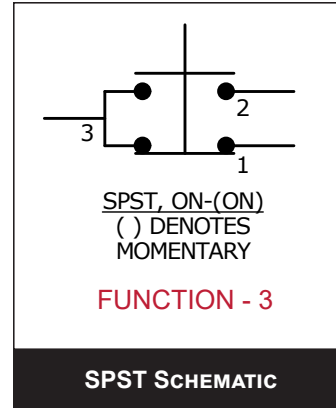
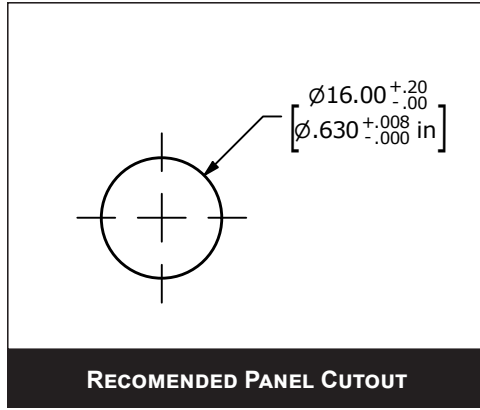


SWITCH	WIRE	LENGTH
SW1-1	WIRE, 20AWG AWM UL3385, GREEN	500.0 [19.7 in]
SW1-2	WIRE, 20AWG AWM UL3385, BLUE	500.0 [19.7 in]
SW1-3	WIRE, 20AWG AWM UL3385, BLACK	500.0 [19.7 in]



# PMV6 SERIES ANTI-VANDAL SWITCH

## BODY DIMENSIONS SPST ON-(OFF)



SWITCH	WIRE	LENGTH
SW1-1	WIRE, 20AWG AWM UL3385, GREEN	500.0 [19.7 in]
SW1-2	WIRE, 20AWG AWM UL3385, BLUE	500.0 [19.7 in]
SW1-3	WIRE, 20AWG AWM UL3385, BLACK	500.0 [19.7 in]

