

# TL3215 SERIES TACT SWITCH

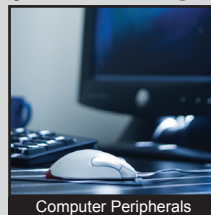
ANTI-VANDAL SWITCHES  
 DETECTOR SWITCHES  
 DIP SWITCHES  
 KEYLOCK SWITCHES  
 NAVIGATION SWITCHES  
 PUSHBUTTON SWITCHES  
 ROCKER SWITCHES  
 ROTARY SWITCHES  
 SLIDE SWITCHES  
 SNAP ACTION SWITCHES  
**TACTILE SWITCHES**  
 TOGGLE SWITCHES  
 CAP OPTIONS



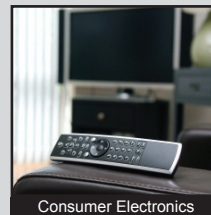
## APPLICATIONS / MARKETS



Audio / Visual



Computer Peripherals



Consumer Electronics



Instrumentation



Telecommunication



Medical Equipment

# RoHS

## SPECIFICATIONS

**Electrical Rating:** 50mA @ 12VDC  
**Electrical Life:** 1,000,000 Cycles  
**Mechanical Life:** 1,000,000 Cycles  
**Contact Resistance:** 100mΩ Max. initial  
**Insulation Resistance:** 100M Ω at 500VDC  
**Dielectric Strength:** 250VAC for 1 min.  
**Operating Temperature:** -40°C to 85°C  
**Storage Temperature:** -40°C to 85°C  
**Operating Force:** 160 gf  
**Travel:** 0.25mm  
**Contact Arrangement:** SPST

## FEATURES & BENEFITS

- Multiple LED colors
- Surface mount
- Low profile

## PART NUMBER CONFIGURATOR

Series	Model	Actuator Option	Actuation Force	LED Color	Contact Material
<input type="text" value="TL"/>	<input type="text" value="3215"/>	<input type="text" value="A - 2.0mm"/>	<input type="text" value="F160 - 160 gf"/>	<input type="text" value="N - None"/> R - Red G - Green B - Blue Y - Yellow W - White	<input type="text" value="Q - Silver"/>

*Specifications subject to change without notice*



**E-SWITCH®**

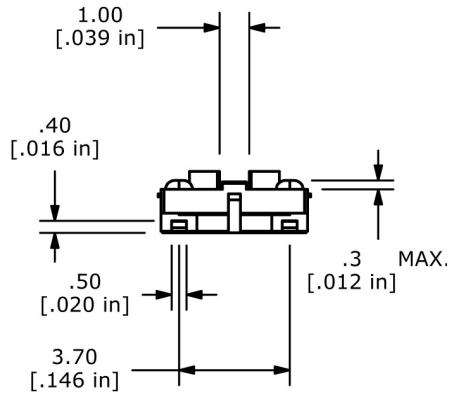
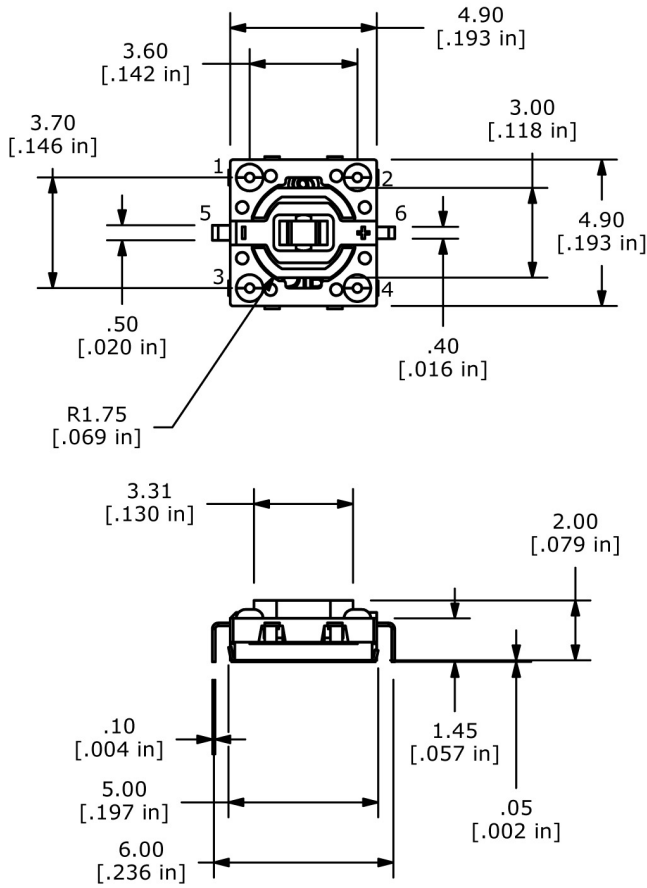
www.e-switch.com

800.867.2717

2

# TL3215 SERIES TACT SWITCH

## BODY DIMENSIONS



LED Specifications			
LED Color	Forward Current (mA)	Forward Voltage (V @ 20mA)	Luminous Intensity (mcd)
Blue	20	3.0 typ - 3.6 max	100 typ
White	20	3.0 typ - 3.6 max	150 typ
Red	20	1.9 typ - 2.4 max	50 typ
Green	20	2.05 typ - 2.4 max	30 typ
Yellow	20	2.05 typ - 2.4 max	70 typ

