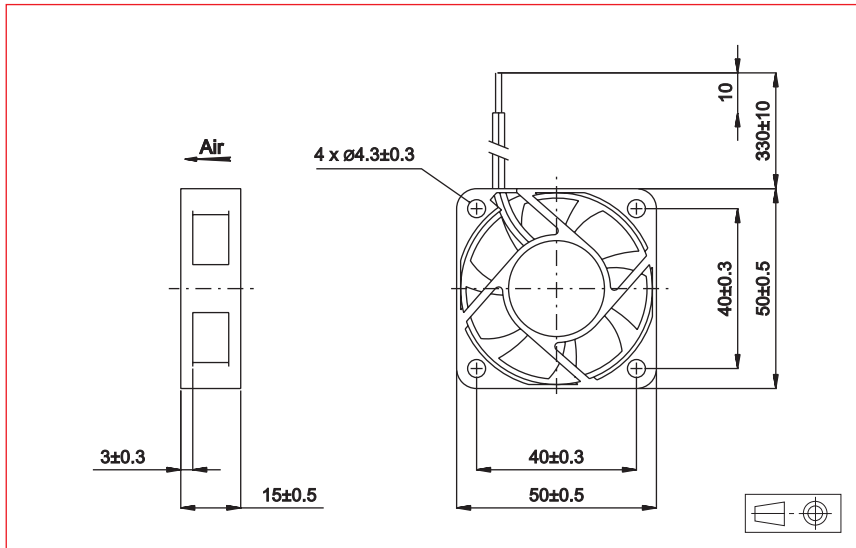


1,968" x 1,968" x 0,59" 50 x 50 x 15 mm

Series  
274D

**ETRI**<sup>®</sup>

DC Axial Fans



Approvals



Life expectancy

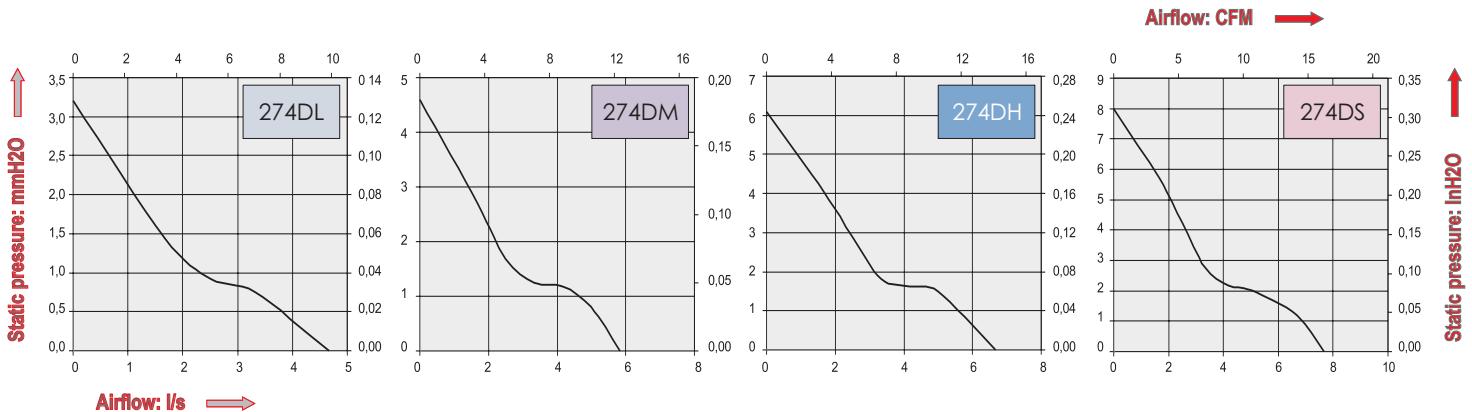
L-10 LIFE AT 40°C:  
80 000 hours

Brushless DC Motor

Electrical protection: impedance protected  
Housing material: plastic UL 94 VO  
Impeller material: plastic UL 94 VO  
Weight: 32 g  
Bearing system: ball bearings

Available with:

- Speed sensor
- Alarm
- IP54 / IP55



Part Number	Nominal voltage	Airflow	Noise level	Nominal speed	Input Power	Voltage range	Connection type		Operating temperature	
	V						l/s	dB(A)	RPM	W
274DL5LP11000	5	4,7	24	4000	0,8	(4,5-5,5)	X		-10	70
274DL1LP11000	12	4,7	24	4000	0,7	(7-13,8)	X		-10	70
274DL2LP11000	24	4,7	24	4000	1,7	(14-27,6)	X		-10	70
274DM5LP11000	5	5,8	28	4800	1,1	(4,5-5,5)	X		-10	70
274DM1LP11000	12	5,8	28	4800	1,0	(7-13,8)	X		-10	70
274DM2LP11000	24	5,8	28	4800	1,7	(14-27,6)	X		-10	70
274DH5LP11000	5	6,7	32	5600	1,6	(4,5-5,5)	X		-10	70
274DH1LP11000	12	6,7	32	5600	1,2	(7-13,2)	X		-10	70
274DH2LP11000	24	6,7	32	5600	2,2	(14-27,6)	X		-10	70
274DS1LP11000	12	7,7	36	6400	1,6	(7-13,8)	X		-10	70
274DS2LP11000	24	7,7	36	6400	2,6	(14-27,6)	X		-10	70

Additional versions:

Mixed bearings (1 ball + 1 sleeve): consult factory

Accessories:

Refer to Accessories leaflet