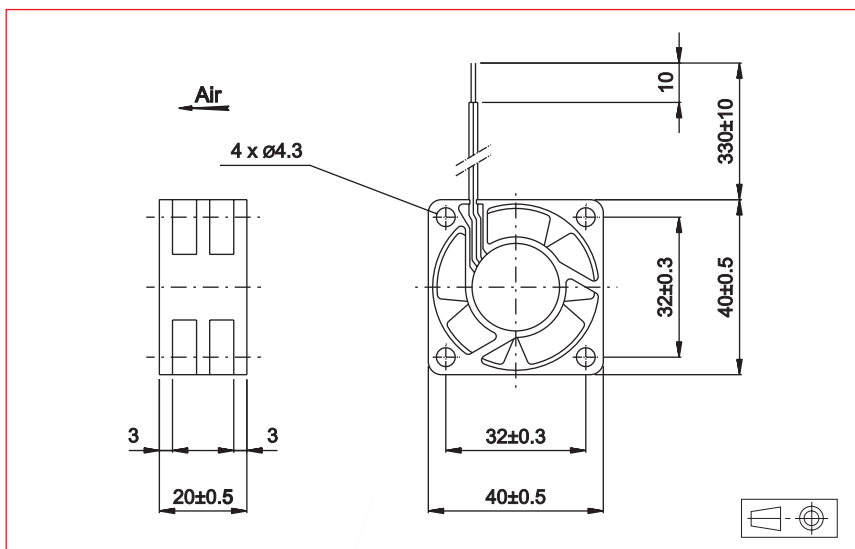


DC Axial Fans



Approvals



Life expectancy

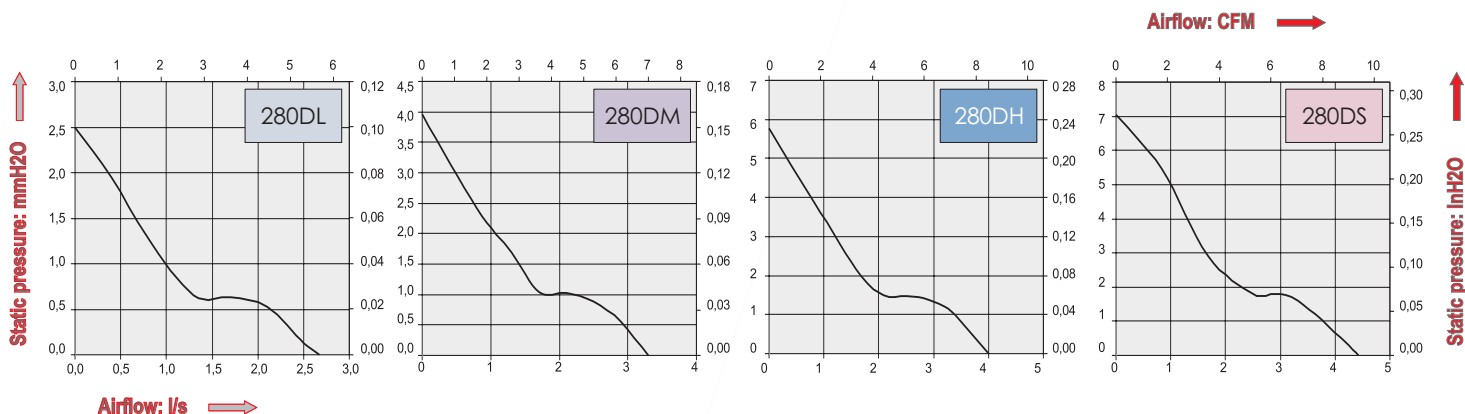
L-10 LIFE AT 40°C:
80 000 hours

Brushless DC Motor

Electrical protection: impedance protected
Housing material: plastic UL 94 VO
Impeller material: plastic UL 94 VO
Weight: 33 g
Bearing system: ball bearings

Available with:

- Speed sensor
- Alarm
- IP54 / IP55



| Part Number | Nominal voltage | Airflow | Noise level | Nominal speed | Input Power | Voltage range | Connection type | | Operating temperature | |
|---------------|-----------------|---------|-------------|---------------|-------------|---------------|-----------------|-------|-----------------------|----|
| | V | | | | | | l/s | dB(A) | RPM | W |
| 280DL5LP11000 | 5 | 2,6 | 25 | 5000 | 0,70 | (4,5-5,5) | X | | -10 | 70 |
| 280DL1LP11000 | 12 | 2,6 | 25 | 5000 | 0,72 | (7-13,8) | X | | -10 | 70 |
| 280DL2LP11000 | 24 | 2,6 | 25 | 5000 | 1,20 | (14-27,6) | X | | -10 | 70 |
| 280DM5LP11000 | 5 | 3,3 | 30 | 6300 | 1,10 | (4,5-5,5) | X | | -10 | 70 |
| 280DM1LP11000 | 12 | 3,3 | 30 | 6300 | 1,08 | (7-13,8) | X | | -10 | 70 |
| 280DM2LP11000 | 24 | 3,3 | 30 | 6300 | 1,44 | (14-27,6) | X | | -10 | 70 |
| 280DH5LP11000 | 5 | 4,0 | 33 | 7600 | 2,00 | (4,5-5,5) | X | | -10 | 70 |
| 280DH1LP11000 | 12 | 4,0 | 33 | 7600 | 1,44 | (7-13,8) | X | | -10 | 70 |
| 280DH2LP11000 | 24 | 4,0 | 33 | 7600 | 1,68 | (14-27,6) | X | | -10 | 70 |
| 280DS1LP11000 | 12 | 4,4 | 36 | 8400 | 1,92 | (7-13,8) | X | | -10 | 70 |
| 280DS2LP11000 | 24 | 4,4 | 36 | 8400 | 2,16 | (14-27,6) | X | | -10 | 70 |

Additional versions:

Sleeve bearings: consult factory
Series 380D (refer to page 6)

Accessories:

Refer to Accessories leaflet