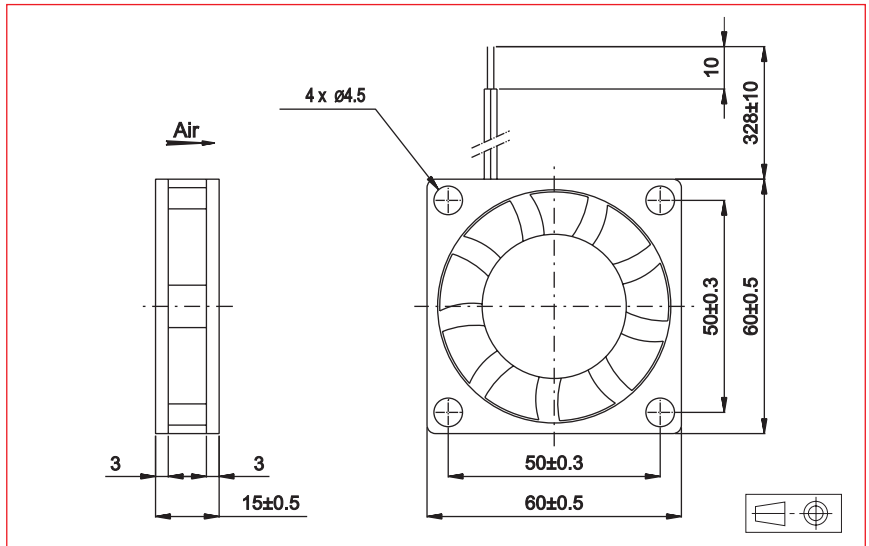


DC Axial Fans



Approvals



Life expectancy

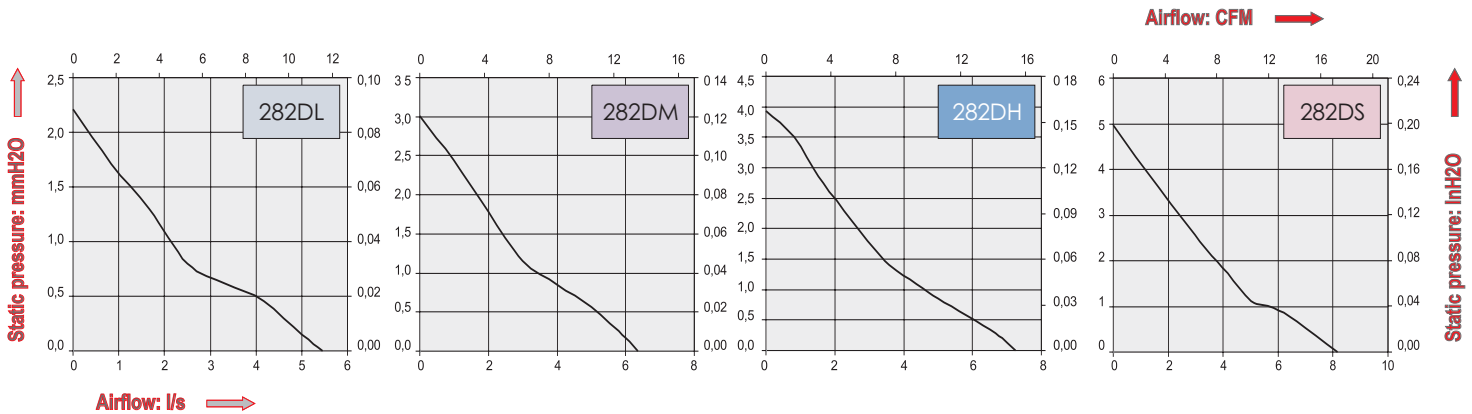
L-10 LIFE AT 40°C:
80 000 hours

Brushless DC Motor

Electrical protection: impedance protected
Housing material: plastic UL 94 VO
Impeller material: plastic UL 94 VO
Weight: 44g
Bearing system: ball bearings

Available with:

- Speed sensor
- Alarm
- IP54 / IP55



Part Number	Nominal voltage	Airflow	Noise level	Nominal speed	Input Power	Voltage range	Connection type		Operating temperature	
	V						l/s	dB(A)	RPM	W
282DL1LP11000	12	5,5	24	3000	0,8	(7-13,8)	X		-10	70
282DL2LP11000	24	5,5	24	3000	1,0	(14-27,6)	X		-10	70
282DM1LP11000	12	6,4	29	3500	1,0	(7-13,8)	X		-10	70
282DM2LP11000	24	6,4	29	3500	1,2	(14-27,6)	X		-10	70
282DH1LP11000	12	7,3	32	4000	1,2	(7-13,8)	X		-10	70
282DH2LP11000	24	7,3	32	4000	1,9	(14-27,6)	X		-10	70
282DS1LP11000	12	8,2	35	4500	1,4	(7-13,8)	X		-10	70
282DS2LP11000	24	8,2	35	4500	2,4	(14-27,6)	X		-10	70

Additional versions:

5V (ball or mixed bearing, available with speed sensor)

Accessories:

Refer to Accessories leaflet