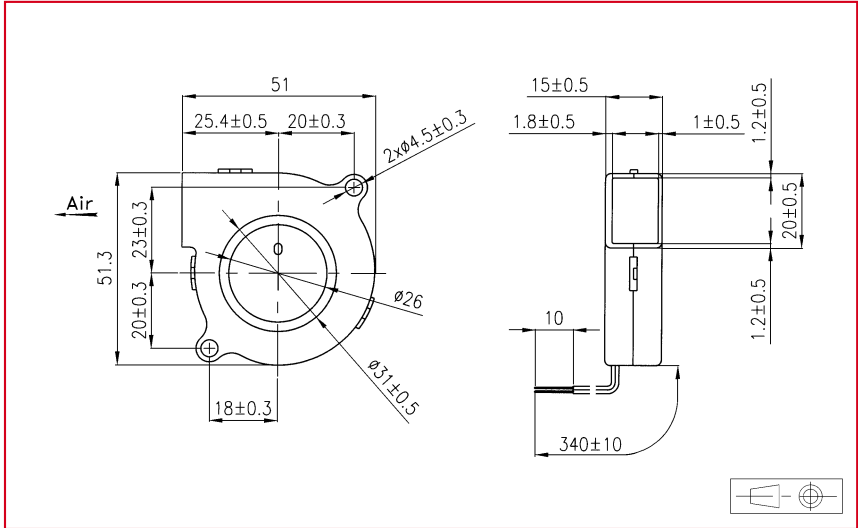




51 x 51,3 x 15 mm



Approvals



Life expectancy

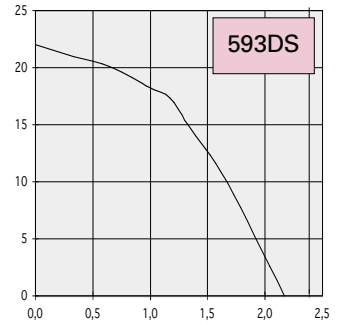
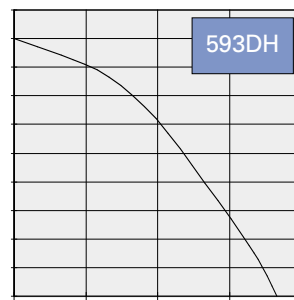
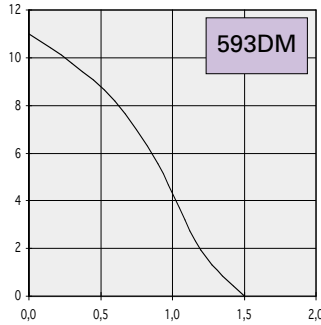
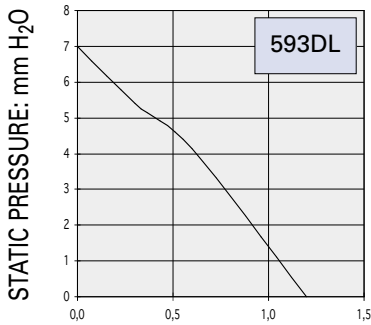
L-10 LIFE AT 40°C:
25 000 hours

Brushless DC Motor

Electrical protection: impedance protected
Housing material: plastic UL 94 VO
Impeller material: plastic UL 94 VO
Weight: 28 g

Available with:

- speed sensor
- alarm



AIRFLOW: l/s

Part number	Nominal voltage	Airflow	Noise level	Nominal speed	Input power	Voltage range	Bearing system		Connection type		Operating temperature	
	V						l/s	dB(A)	RPM	W	V	Ball
593DL5LP11000	5	1,2	26,5	3500	0,7	(4-5,5)	X		X		- 10	70
593DL1LP11000	12	1,2	26,5	3500	0,8	(10-13,8)	X		X		- 10	70
593DM5LP11000	5	1,5	32,5	4500	1,7	(4-5,5)	X		X		- 10	70
593DM1LP11000	12	1,5	32,5	4500	1,2	(10-13,8)	X		X		- 10	70
593DH1LP11000	12	1,8	38	5500	1,9	(10-13,8)	X		X		- 10	70
593DS1LP11000	12	2,2	45	6500	2,5	(10-13,8)	X		X		- 10	70

Additional versions:

24 V DC