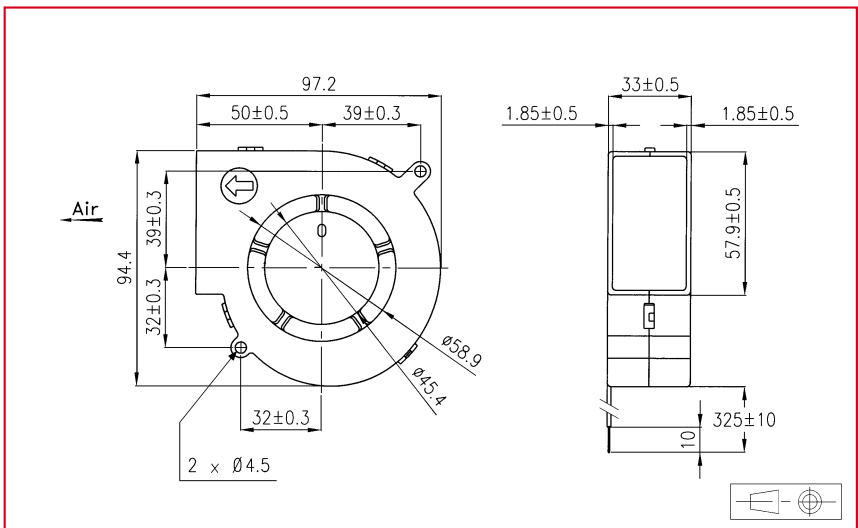




97,2 x 94,4 x 33 mm



Approvals

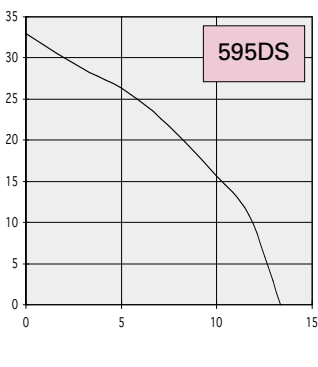
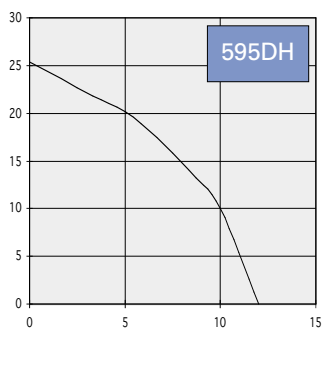
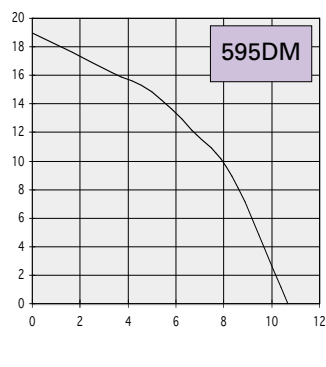
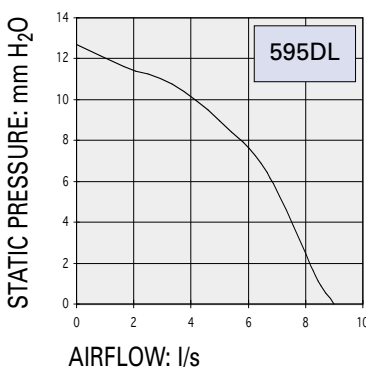


Life expectancy

L-10 LIFE AT 40°C:
25 000 hours

Brushless DC Motor
 Electrical protection: impedance protected
 Housing material: plastic UL 94 VO
 Impeller material: plastic UL 94 VO
 Weight: 160 g

Available with:
 - speed sensor
 - alarm



| Part number | Nominal voltage | Airflow | Noise level | Nominal speed | Input power | Voltage range | Bearing system | | Connection type | | Operating temperature | |
|---------------|-----------------|---------|-------------|---------------|-------------|---------------|----------------|--------|-----------------|-----------|-----------------------|---------|
| | V | l/s | dB(A) | RPM | W | V | Ball | Sleeve | Leads | Terminals | Min. °C | Max. °C |
| 595DL1LP11000 | 12 | 9,0 | 45 | 2700 | 3,8 | (4-13,8) | X | | X | | - 10 | 60 |
| 595DL2LP11000 | 24 | 9,0 | 45 | 2700 | 3,8 | (7-27,6) | X | | X | | - 10 | 60 |
| 595DM1LP11000 | 12 | 10,7 | 49 | 3200 | 6,8 | (4-13,8) | X | | X | | - 10 | 60 |
| 595DM2LP11000 | 24 | 10,7 | 49 | 3200 | 6,2 | (7-27,6) | X | | X | | - 10 | 60 |
| 595DH1LP11000 | 12 | 12,0 | 52 | 3600 | 9,6 | (4-13,8) | X | | X | | - 10 | 60 |
| 595DH2LP11000 | 24 | 12,0 | 52 | 3600 | 9,6 | (7-27,6) | X | | X | | - 10 | 60 |
| 595DS1LP11000 | 12 | 13,3 | 55 | 4000 | 13,2 | (4-13,8) | X | | X | | - 10 | 60 |
| 595DS2LP11000 | 24 | 13,3 | 55 | 4000 | 13,2 | (7-27,6) | X | | X | | - 10 | 60 |