



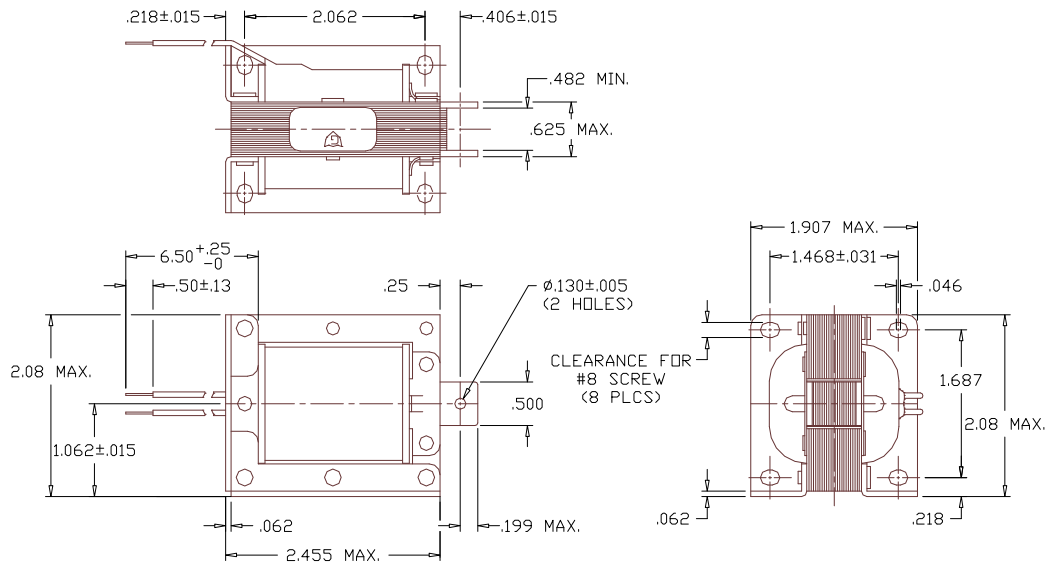
# GUARDIAN Electric Manufacturing

ISO 9001 / AS9100 Certified Company

Woodstock, IL 60098 Ph. (815)334-3600 Fax (815)337-0377

Or visit us at our website [www.guardian-electric.com](http://www.guardian-electric.com)

## Model 14 Laminated AC Frame Solenoid



Solenoid shown energized and fully seated.


Total Weight: 18 oz.  
Plunger Weight: 2.6 oz.

Model No.	Part No.	Duty Cycle	Volts	Res. (Ω)	Power (VA)	Current, Seated
14-I-120A	A421-062508-08	*Intermittent	120	11	180	1.5 A
14-C-120A	A421-062508-09	Continuous	120	18	63	525 mA
14-I-240A	A421-062508-10	*Intermittent	240	45	180	750 mA
14-C-240A	A421-062508-11	Continuous	240	93	63	263 mA

When ordering, please refer to Part No., as listed above.  
Consult factory for custom configurations.

Stroke (in.)	Pull Force (oz.)							Holding Force (oz.)
	0.125	0.250	0.375	0.500	0.625	0.750	1.000	
Continuous Duty	96	75	75	96	108	115	115	160
*Intermittent Duty	130	108	108	110	115	120	120	220

### UL Recognition

Recognized under the  Component Recognition Program of **Underwriters Laboratories, Inc.**

### Continuous Duty

100% 'On' Time

### \*Intermittent Duty

20% 'On' Time, (240 Seconds 'On' Max.  
Followed By 960 Seconds 'Off' Min.)

### RoHS

These parts comply with **RoHS** Directive 2002/95/EC