

# Hydro-Quebec Metering Cabinets

## NEMA 1



Commercial Enclosures



### Application

- Designed for indoor housing of metering transformers per Hydro Quebec specifications.

### Standards

- CSA Approved
- **Complies with**
  - IEC 60529, IP20

### Construction

- Formed and spot welded from 14 or 16 gauge steel.
- Spot welded construction and formed edges.
- Removable inner panels.
- Hinged covers.
- 2 cutouts in top of each cabinet with metering plates included.

### Finish

- Enclosure and cover are finished in ANSI 61 gray inside and out.

### Cabinet Catalog Numbers

Part Number	Dimensions			
	A	B	C	Gauge
CMCQ303010	30	30	10	16
CMCQ363612	36	36	12	14
CMCQ484812	48	48	12	14

### Panel Catalog Numbers

Panel Part Number	Description	Dimensions	
		D	E
CMCQP1	Accessory Plate	24.685	7.000
CMCQP2	Universal Support Current Panel	12.756	13.386
CMCQP3	Universal Support Voltage Panel	25.591	15.006

### Panel Selection Guide

Enclosure	Panel supplied with enclosure			Panel capacity per enclosure		
	CMCQP1	CMCQP2	CMCQP3	CMCQP1	CMCQP2	CMCQP3
CMCQ303010	1	1	1	1	1	1
CMCQ363612	1	1	1	2	1	1
CMCQ484812	1	1	1	2	2	1

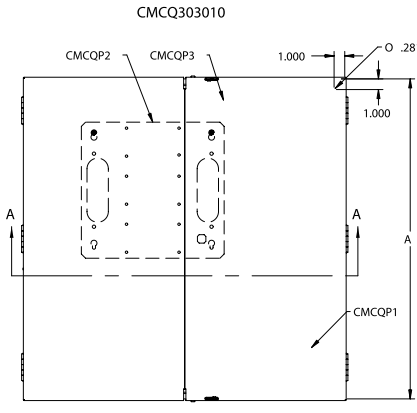
Technical references and DXF downloads available at [www.hamfmfg.com](http://www.hamfmfg.com)

All dimensions in inches unless specified otherwise

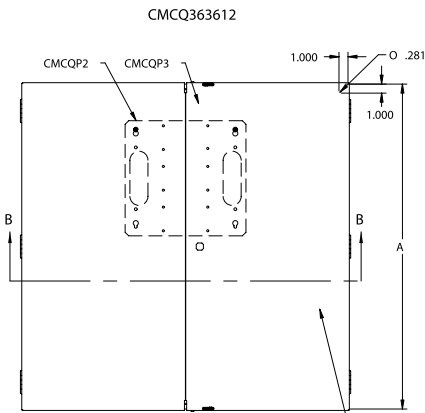
Metering Cabinets

# Hydro-Quebec Metering Cabinets

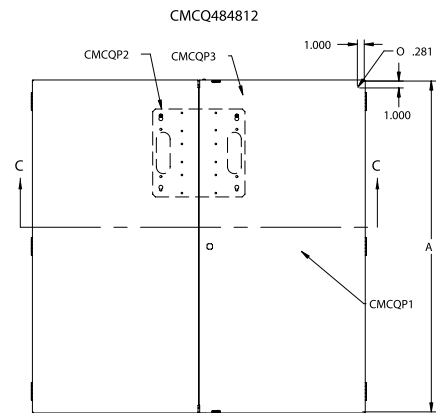
NEMA 1



**FRONT VIEW - DOORS REMOVED**



**FRONT VIEW - DOORS REMOVED**



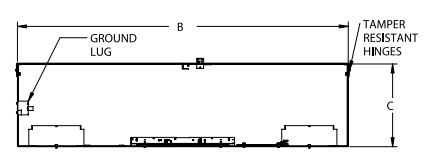
**FRONT VIEW - DOORS REMOVED**



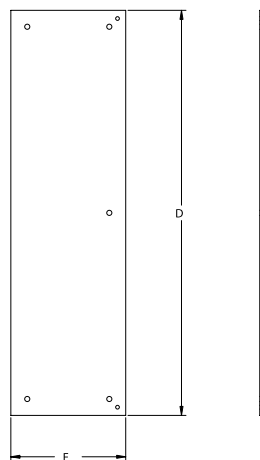
**SECTION A-A**



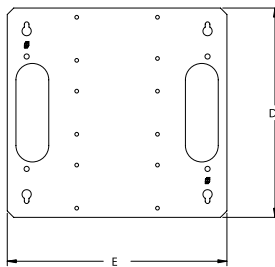
**SECTION B-B**



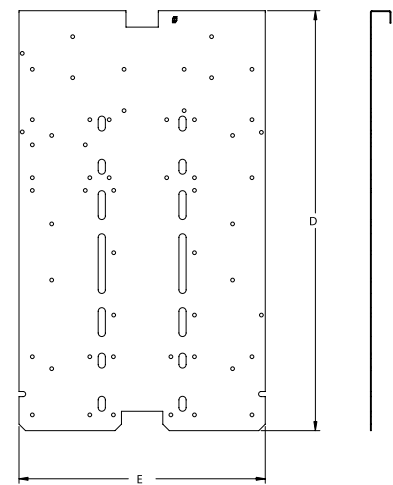
**SECTION C-C**



**CMCQP1  
ACCESSORY PLATE**



**CMCQP2  
UNIVERSAL SUPPORT CURRENT  
PANEL**



**CMCQP3  
UNIVERSAL SUPPORT VOLTAGE  
PANEL**

Commercial Enclosures

Metering Cabinets