

**GT5P Series — ON Delay Timers**

**Key features of the GT5P series include:**

- SPDT, 5A contacts
- 8-pin, octal base
- 9 time ranges
- Repeat error  $\pm 0.2\%$  maximum
- Control settings by hand or screwdriver
- Power ON and timing out LED indicators
- Uses the same sockets and hold down clips as IDEC's RR2P 8-pin relays


 UL Recognized  
File No. E55996

 CSA Certified  
File No. LR58183


Cert. No. E9950913332314

**Specifications**

<b>Rated Operating Voltage</b>		100 to 120V AC (50/60Hz) 200 to 240V AC (50/60Hz) 24V AC/DC 12V DC
<b>Voltage Tolerance</b>		AC type: $\pm 15\%$ DC type: $\pm 10\%$ (ripple 10% maximum)
<b>Contact Rating</b>	<b>Resistive load</b>	120V AC/24V DC, 5A 240V AC, 3A
	<b>Inductive load</b>	240V AC, 0.8A 120V AC, 1.4A 24V DC, 1.7A
<b>Allowable Contact Power (resistive load)</b>		960VA AC 120W DC
<b>Contact Form</b>		SPDT
<b>Voltage</b>		250V AC, 150V DC
<b>Repeat Error</b>		$\pm 0.2\% \pm 10\text{msec}$
<b>Voltage Error</b>		$\pm 0.5\% \pm 10\text{msec}$
<b>Temperature Error</b>		$\pm 3\%$ maximum (over $-10$ to $50^\circ\text{C}$ , reference temperature $20^\circ\text{C}$ )
<b>Setting Error</b>		$\pm 10\%$ maximum
<b>Reset Time</b>		When turning power off <u>after</u> time up: 0.1 sec maximum When turning power off <u>before</u> time up: 1 sec maximum
<b>Insulation Resistance</b>		100M $\Omega$ minimum
<b>Dielectric Strength</b>		2000V AC, 1 minute (except between contacts of the same pole)
<b>Vibration Resistance</b>		100N (approximate 10G)
<b>Shock Resistance</b>		Operating extremes: 100N (approximate 10G) Damage limits: 500N (approximate 50G)
<b>Power Consumption</b>		100V AC type: 1.5VA (at 50Hz) 200V AC type: 1.6VA (at 50Hz) 24V DC type: 0.9W
<b>Electrical Life</b>		100,000 operations minimum (at rated load)
<b>Mechanical Life</b>		20,000,000 operations minimum
<b>Operating Temperature</b>		$-10$ to $+50^\circ\text{C}$
<b>Operating Humidity</b>		45 to 85% RH


**GT5P Table of Contents**

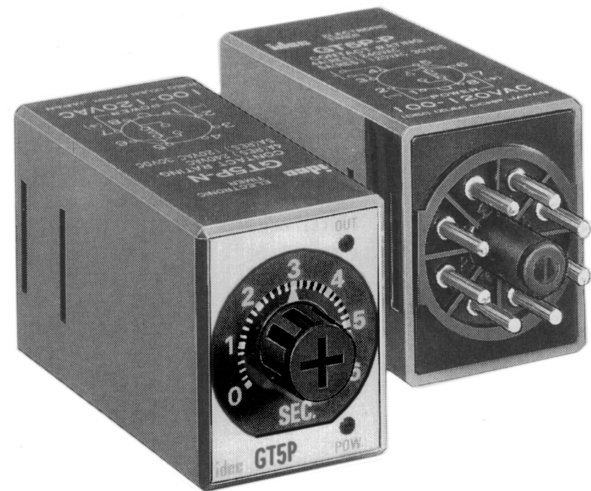
- SpecificationsG-61
- Part Numbering ListG-62
- Timing Diagrams / SchematicsG-63
- GT5P AccessoriesG-64
- GT5P DimensionsG-65
- Timing Diagrams OverviewG-4



1. Inductive load (reference),  $\cos\phi = .3$  to  $.4$  or  $L/R = 15\text{msec}$ .
2. Minimum applicable load: 5VDC/10mA (reference).

**Part Numbering List**

Mode of Operation	Contact	Output	Rated Voltage	Time Range	Complete Part No.
<b>G</b> ON-Delay	SPDT	24V DC/ 120V AC, 5A  240V AC, 3A	100 to 120V AC	1S	—
				3S	GT5P-N3SA100
				6S	—
				10S	GT5P-N10SA100
				30S	GT5P-N30SA100
				60S	GT5P-N60SA100
				3M	GT5P-N3MA100
				6M	GT5P-N6MA100
				10M	GT5P-N10MA100
			200 to 240V AC	1S	GT5P-N1SA200
				3S	—
				6S	GT5P-N6SA200
				10S	GT5P-N10SA200
				30S	GT5P-N30SA200
				60S	GT5P-N60SA200
				3M	GT5P-N3MA200
				6M	GT5P-N6MA200
				10M	GT5P-N10MA200
			24V AC/DC	1S	GT5P-N1SAD24
				3S	—
				6S	GT5P-N6SAD24
				10S	GT5P-N10SAD24
				30S	—
				60S	GT5P-N60SAD24
				3M	—
				6M	GT5P-N6MAD24
				10M	GT5P-N10MAD24
			12V DC	1S	—
				3S	—
				6S	—
				10S	GT5P-N10SD12
				30S	GT5P-N30SD12
				60S	GT5P-N60SD12
				3M	—
				6M	—
				10M	GT5P-N10MD12

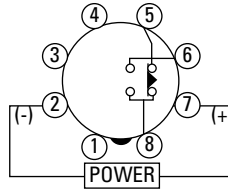


For sockets and accessories, see page G-64.

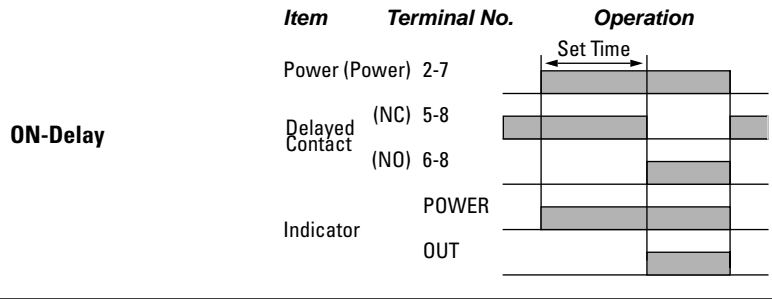
**Timing Diagram/Schematic/Electrical Life Curves**

**SPDT**

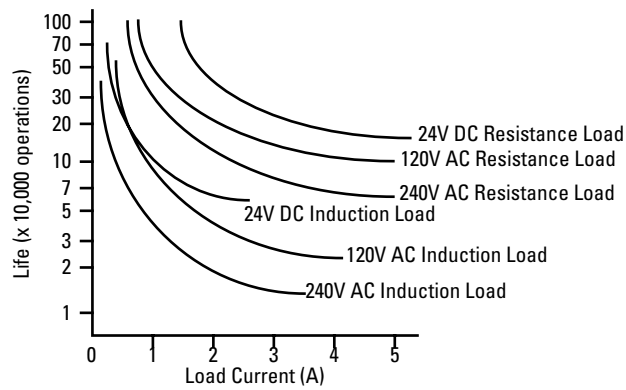
**Operation Mode**



Do not apply voltage to terminals 1, 3, and 4.



**Electrical Life Curves**



**Mounting Accessories**

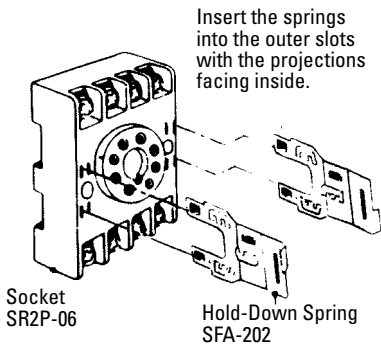
Part Numbers: Mounting Accessories and Sockets					Applicable Hold-Down Springs	
	Style	Appearance	Use with Timers	Part No.	Appearance	Part No.
<b>DIN Rail/ Surface Mounting Accessories</b>	8-Pin Screw Terminal (dual tier)		GT5P	SR2P-05		SFA-203
	8-Pin Fingersafe Socket		GT5P	SR2P-05C		
	8-Pin Screw Terminal		GT5P	SR2P-06		SFA-202
	DIN Mounting Rail Length 1000mm		—	BNDN1000		

**G**

Part Numbers: Mounting Accessories and Sockets					Applicable Hold-Down Springs	
<b>Panel Mounting Accessories</b>	8-Pin Solder Terminal			SR2P-51		SFA-402

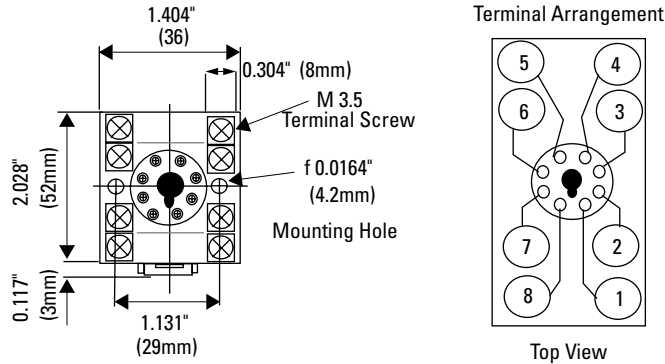
**Installation of Hold-Down Springs**

*DIN Rail Mount Socket*



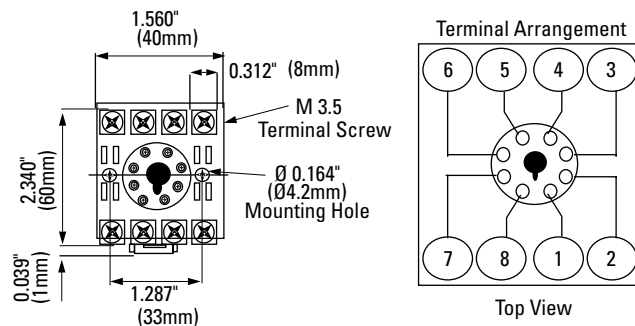
**Dimensions: GT5P Series**

**8-Pin SR2P-05**

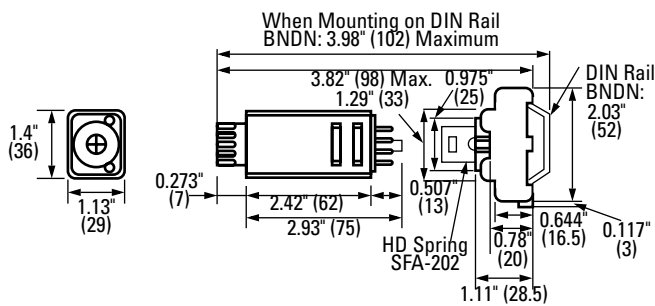


Dimensions in inches (mm)

**8-Pin SR2P-06**



**GT5P Timer, 8-Pin with SR2P-05**



**GT5P Timer, 8-Pin with SR2P-06**

