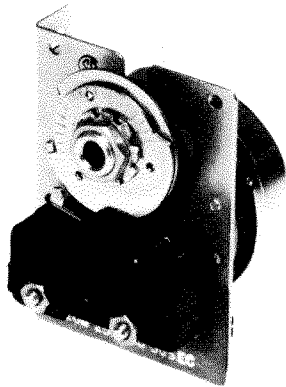


RG21

CYCLE TIMERS



RG21 SERIES

DESCRIPTION

RG21 timers are basic single-cam repeat cycle units. They feature a highly reliable direct-drive system where the cam is mounted directly to the motor output shaft. They also have a heavy duty 20 amp switch and a split cam which is marked for easy adjustment.

APPLICATION

These timers are designed for applications requiring a low-cost, single-switch cycle timer. Typical applications include: programming heat/cool cycles in industrial ovens, machine sequence synchronizing, and timed programmed control.

OPERATION

Once the cam has been set to provide the desired switching function, there is no operator involvement in the operation of this device. When power is supplied to the motor, it drives the cam which in turn drives the load switch to follow the preset program.

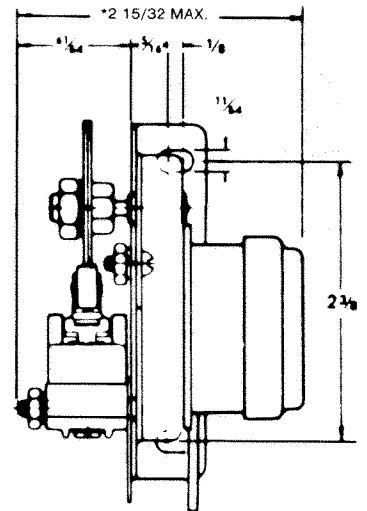
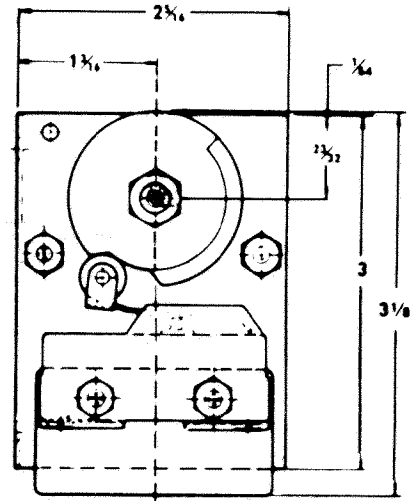
SPECIFICATIONS

- Load Switch Contacts 20 amps non-inductive SPDT
- Wiring motor, 6 inch leads switch, solder lugs
- Voltage 120V/60Hz standard. Consult factory for other voltages and frequencies.
- Minimum Cam Notch approx. 2% of the total time cycle.
- Agency Approvals UL, CSA

STANDARD MODELS

MODEL NUMBER	TIME CYCLE
RG21-090	7½ sec.
RG21-091	15 sec.
RG21-092	30 sec.
RG21-093	1 min.
RG21-094	5 min.
RG21-095	10 min.
RG21-096	15 min.
RG21-097	30 min.
RG21-098	60 min.
RG21-099	4 hr.
RG21-100	10 sec.
RG21-101	2 min.
RG21-102	24 hr.

DIMENSIONS



* Add 0.265" FOR TIMING OF 2 HOURS OR MORE.