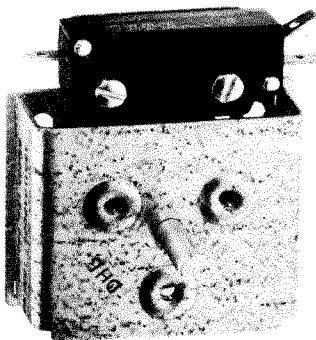


# AB51

## INTERVAL TIMERS



### AB51 SERIES

These are basic interval timers requiring the interval to be reset manually at the beginning of each cycle. The timer features an external friction which provides low setting-torque and enables the setting to be changed during the cycle without damage. The load switch is an isolated single pole, double throw on the standard unit; however, the AB51 is available with a double pole, double throw switch on special order. Standard shaft rotation is clockwise when timing. Timing also can be started by rotating the shaft in either direction. Knobs and dials are available as separate items.

### APPLICATION

This most basic interval timer is designed for applications requiring low cost and where, since it is a function of the operator, accuracy of the cycle is not critical. Typical applications include: appliances, amusement devices, medical equipment, and battery chargers.

### OPERATION

- 1) Turn the setting knob in either direction until it reaches desired time interval.
- 2) When the setting knob is first turned, the load switch will transfer.
- 3) The timing motor will drive the unit in a clockwise direction to zero.
- 4) At zero, the load switch will transfer and the motor will shut down.

### SPECIFICATIONS

Repeat Accuracy	depends on operator setting ability and resolution of dial
Load Switch Contacts	SPDT switch rated at 25 amps, 3/4 hp
Wiring	motor, 6-inch leads switch, 1/4" push-on terminals
Voltage	120V/60Hz standard. Consult factory for other voltages and frequencies.
Agency Approvals	UL, CSA

### STANDARD MODELS

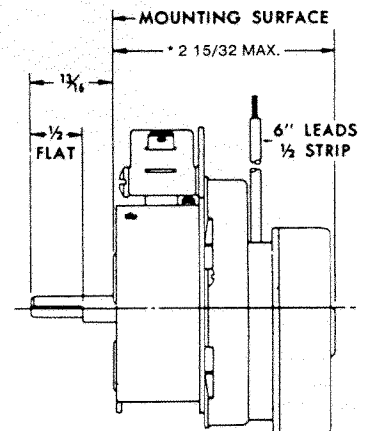
MODEL NUMBER	TIME CYCLE
AB51-001	1 min.
AB51-002	6 min.
AB51-003	15 min.
AB51-004	30 min.
AB51-005	60 min.
AB51-006	2 hr.
AB51-007	6 hr.
AB51-008	8 hr.
AB51-010	12 hr.
AB51-016	24 hr.

### DIALS AND KNOBS

(Available from stock)  
Dial diam. — 3", mounts with 3 holes, 120° apart, 0.180 dia. each

DIAL CALIBRATION	PART NUMBER
1 min./1 hr.	AT5 1021-009
15 min.	AT5 1022-009
24 hrs.	AT5 1140-901
6 min./6 hrs.	AT5 1141-901
8 hrs.	AT5 1142-901
12 hrs.	AT5 1143-901
30 min.	AT5 1147-901
2 hrs.	AT5 1148-901
KNOB	55121

### DIMENSIONS



\* ADD 0.265 FOR TIMING OVER 4 HOURS.

