

Photocontrol - NightFox™ Metal Stem Mount Electronic Photocontrol, 120-277 V

Item EK4436SM



PRODUCT DESCRIPTION

NightFox™ electronic photocontrols permanently install on outdoor electrical boxes or outdoor lighting fixtures. Ideal for LED fixtures with long-life expectations. ½"-14 NPSM threaded stem fits standard outlet boxes and wall packs with a minimum installation hole size of 7/8" diameter. Come with 9" wire leads.

FEATURES

- ▶ Non-drift silicon light sensor with IR filter
- ▶ DC relay with zero-crossing circuitry for extended life
- ▶ Conformal coated PCB
- ▶ 15-year design life
- ▶ Exceeds 10,000 ON/OFF switching cycles
- ▶ Fail ON mode
- ▶ Ideal for single or multifixture HID and LED installations (up to 1,650 W @ 277 VAC)
- ▶ 255 J MOV surge protection element
- ▶ 1/2"-14 NPSM threaded stem fits standard outlet boxes and wall packs for a minimum installation hole size of 7/8 inch diameter
- ▶ #18 AWG wire leads
- ▶ Die-cast metal housing for added ruggedness

APPLICATIONS

- ▶ Outdoor Lighting Control

TECHNICAL DATA

General	
Model Number	EK4436SM
Description	NightFox™ Metal Stem Mount Electronic Photocontrol, 120-277 V
UPC Code	078275148406
Brand	Intermatic
Country of Origin (Intermatic)	MEXICO
Warranty Period	8-Year limited
Usage Environments	Outdoor
Photocontrol Type	Electronic
Expected Lifetime (Years)	15
Expected Lifetime (Operations)	10000
Application Compatibilities	LED; Incandescent; HID
Photocontrol Style	Stem Mount
Photocontrol Sensor Location	Side
Control Specifications	
Sensor Time Delay	Instant ON; 2 sec to 5 sec OFF
Photocell Type	Silicon Diode
Photo Control Switch Type	Relay
Fail Mode	ON
Activation On	1.5 fc
Activation Off	4.5 fc

Dimensions	
Product Height (in)	2 11/16
Product Height (mm)	68.3
Product Width (in)	1 3/4
Product Width (mm)	44.5
Product Depth (in)	2 3/16
Product Depth (mm)	55.6
Wire Lead Length (in)	9
Wire Lead Length (mm)	228.6
Wire Size Max	#18 AWG

Material Specifications	
Cover Color	Gray
Housing Material	Die-Cast Zinc

Load Ratings	
Tungsten Range(s)	1000 W
Ballast Fluorescent Ranges	1800 VA
Electronic Ballast Load Ratings Ranges	6 A, 120-277 VAC, 50/60 Hz

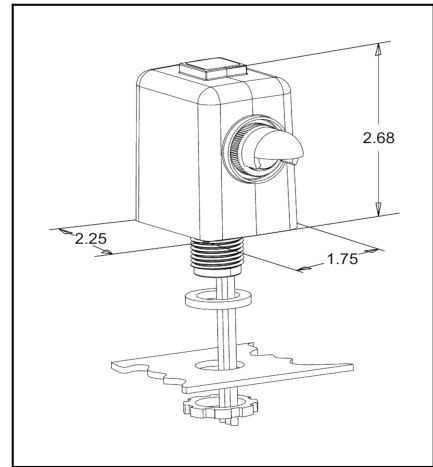
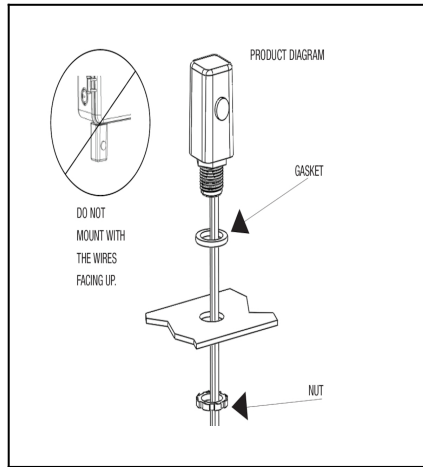
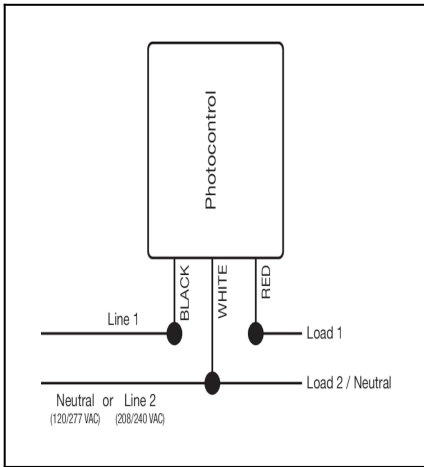
Electrical Specifications	
Wiring Option	Wire leads
Input Voltage Range(s)	120-277 VAC, 50/60 Hz
Surge Protection Technology	255 J MOV, 5,000 A Surge

Packaging	
Shipping Weight (lbs)	0.6
Unit Carton Dimensions (H x W x D) in	4.88 x 1.81 x 3.063 in

Environmental Specifications	
Temperature (operation)	-40°C..70°C

Standards and Certifications	
UL Certification	UL
CSA Certification	CSA
Other Certifications and Compatibilities	Title 20; Ansi C136.24
California Proposition 65	DEHP
RoHS Certification	Yes
PDF Standards And Certifications	UL; CSA; Title 20
Epi Certifications	UL; CSA; Title 20

DRAWINGS AND DIAGRAMS



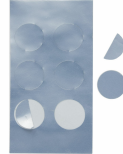
ACCESSORIES



6LV1352
Light Shield Accessory for EK4036S, EK4436SM,
K4000 Series Button Photocontrols



K43-WP-KIT
Wall Plate Kit for EK4036S, K4000 Series Button
Photocontrols



LGLBL
Lens Sticker Accessory for EK4000 & K4000 Series
Photocontrols