

Electronic Timer Control - 7-Day 2-Circuit Electronic Control, 120-277 VAC, 2-SPST, Indoor Metal Enclosure

Item ET1725C



PRODUCT DESCRIPTION

This series offers an easy way to upgrade from a basic mechanical time switch to an electronic time switch. These timers will allow for up-to-the-minute programming, battery backup for power loss, up to 28 events total, and automatic daylight saving time corrections without the need of user interaction. They come in standard 24-hour, 7-day and 7-day astronomical versions.

FEATURES

- ▶ Selector switch to determine input voltage between 120-277 VAC
- ▶ Up to 28 events total
- ▶ To-the-minute accuracy
- ▶ Temporary override or permanent manual override
- ▶ Automatic Daylight Saving Time adjustment
- ▶ Astronomic models enable dusk-to-dawn scheduling

APPLICATIONS

- ▶ Indoor Lighting Control
- ▶ Timing/Scheduling ON/OFF
- ▶ Machinery & Pump Controls

TECHNICAL DATA

General

Model Number	ET1725C
Description	7-Day 2-Circuit Electronic Control, 120-277 VAC, 2-SPST, Indoor Metal Enclosure
UPC Code	078275109865
Brand	Intermatic
Country of Origin (Intermatic)	CHINA
Warranty Period	1-Year limited

Control Specifications

Minimum ON/OFF Times	1 min
Minimum Pulse Time	2 sec
Maximum Pulse Time	2 sec
Maximum ON/OFF Times	Indefinite
Maximum ON/OFF Operations	28
Setpoint Program Count	28
ON/OFF Operations	28
Operation Mode	7-day
Daylight Savings Adjustment	Automatic
Backup Type	Battery
Battery Type	AAA
Battery Service Type	Field Serviceable

Mechanical Specifications

Enclosure Type	Indoor type 1 metal
----------------	---------------------

Dimensions

Product Dimensions (H x W x D) in	7.875 x 5.125 x 3.4375 in
Wire Size Min	#14 AWG
Wire Size Max	#8 AWG
Knockout Dimensions Bottom	(2) combination 1/2" - 3/4"
Knockout Dimensions Back	(1) combination 1/2" - 3/4"

Load Ratings

Tungsten Range(s)	5 A, 120-240 VAC
Electronic Ballast Load Ratings Ranges	1 A, 120-277 VAC
Magnetic Ballast (NO) Range(s)	20 A, 120-277 VAC
Resistive (NO) Range(s)	20 A, 28 VDC; 30 A, 120/240 VAC
Inductive Load Ratings NO Ranges	30 A, 120/240 VAC
Resistive Load Ratings Ranges	20 A, 28 VDC; 30 A, 120/240 VAC
Tungsten (NO) Range(s)	5 A, 120/240 VAC
Motor Load Ratings Ranges	1 HP, 120 VAC; 2 HP, 240 VAC
Motor Load Ratings NO Ranges	1 HP, 120 VAC; 2 HP, 240 VAC

Electrical Specifications

Voltage Selection Type	Selector Switch
Wiring Option	Terminals
Input Voltage Range(s)	120-277 VAC, 50/60 Hz
Number of Circuits	2
Switch Type	2xSPST, 1xDPST or Pulse
Maximum Power Consumption (W)	6 W
Electronic Series	ET1700 Series

Packaging

Shipping Weight (lbs)	2.844
Unit Carton Dimensions (H x W x L) in	3.131 x 5.251 x 8.001 in

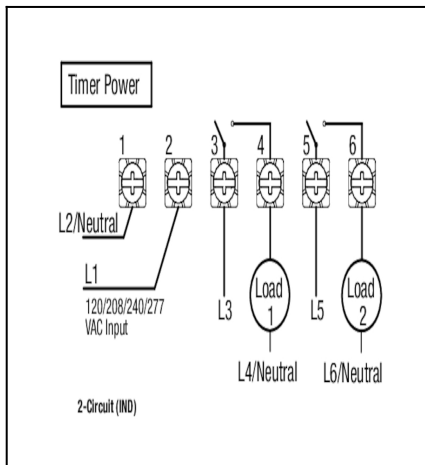
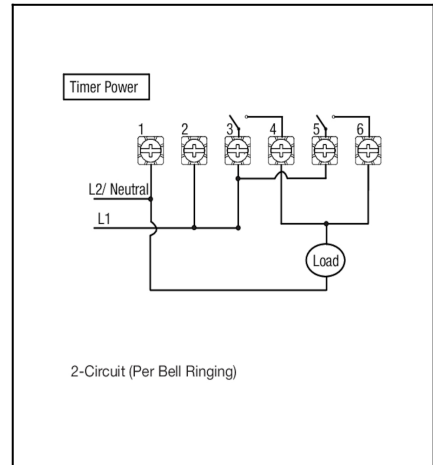
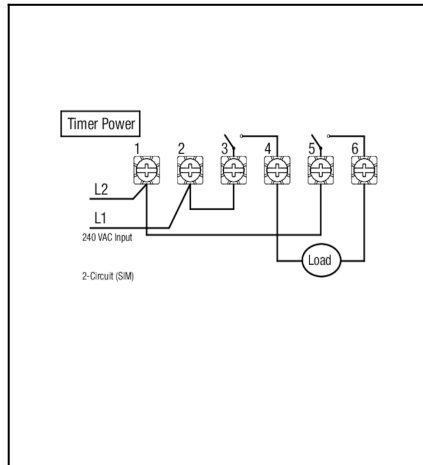
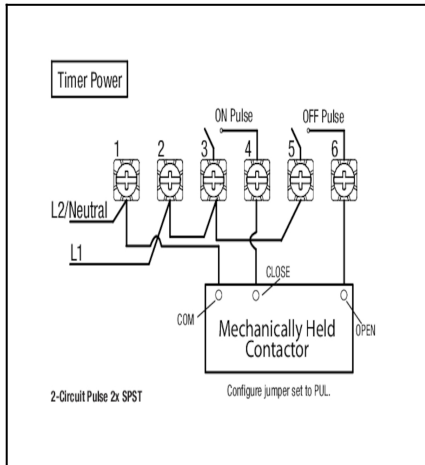
Environmental Specifications

Temperature (operation)	-40 °F to 104 °F / (-40 °C to 40 °C)
-------------------------	--------------------------------------

Standards and Certifications

CSA Certification	cCSAus
Other Certifications and Compatibilities	Title 20
California Proposition 65	Lead

DRAWINGS AND DIAGRAMS



ACCESSORIES

**Product
Image
Not
Available**

124ET2582

(DPST) Insulator for ET Series controls (ET1125C, ET1125CR, ET1725C, ET1725CR, ET8215C and ET8215CR)