



Kanson Electronics, Inc.

INDUSTRIAL SOLID STATE TIMER

MODEL 1032 PLUG-IN

SPECIFICATIONS

INPUT

VOLTAGE: 120VAC, 24VAC
FREQUENCY: 50/60 Hz
TOLERANCE (VOLTAGE): ± 15% of nominal
POWER CONSUMPTION: 10VA maximum
TRANSIENT PROTECTION: Isolation transformer (120VAC only)

OUTPUT

TYPE: Electromechanical relay
MECHANICAL LIFE: 10,000,000 operations
ELECTRICAL LIFE: 300,000 operations
RATING: 10A - 1/6HP at 120VAC, 1/3HP at 240VAC

TIMING

AVAILABLE TYPE: Maintained off-on one cycle, pulsed off-on one cycle, on-off
REPEAT ACCURACY: ± 1% of setting
RESET TIME: 50msec maximum
INDICATION: LED on when output is energized
TIMING RAMP: .06sec minimum time - 100K ohm/sec
.5sec minimum time - 10K ohm/sec
TIME RANGE: 0.06 to 500 secs in 11 ranges
RANGE TOLERANCE: ≤ 10% at maximum, ≤ 0% at minimum
CONTROL: isolated contact closure
CONTROL TERMINALS: 5-6
VOLTAGE PRESENT AT CONTROL TERMINALS: 24VDC minimum, 40VDC maximum

PHYSICAL

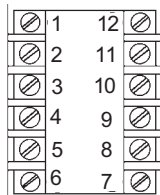
OPERATING TEMP: 0° to 50° C (32° to 120°F)
TIMING VARIATION VS. TEMP: ± 5% maximum
MOUNTING: Plug-in
TERMINATION: 12 pin socket
HOUSING: Metal

WIRING

OUTPUT B

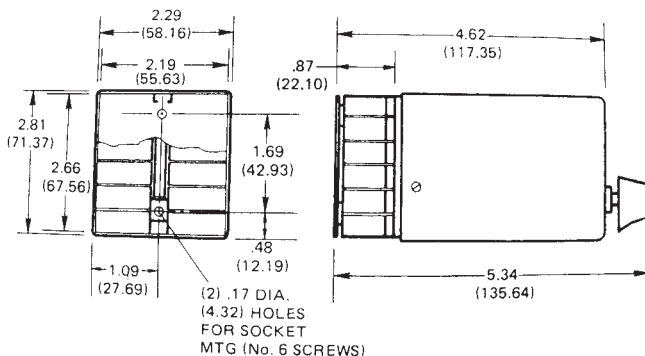
Wiring Terminal Location

- 1-2 Voltage input (constant)
- 3-4 Remote adjust (jumper if not used)
- 5-6 Control (starts timing function)
- 7-8 N.O. timed
- 8-9 N.C. timed
- 10-11 N.O. timed
- 11-12 N.C. timed



Caution: never apply voltage to 3-4-5-6

DIMENSIONS Inches (millimeters)



Pulsed Off-On One Cycle Maintained Off-On One Cycle On-Off

The 1032 is easy to install or replace, keeping downtime to a minimum. The 12 pin base allows both DPDT output and remote adjust connections.

ORDERING DATA

ORDERING CODE

1032 - 1 - G - G - 8 - B

BASIC MODEL NUMBER

1032

INPUT VOLTAGE

- 1 120 VAC
- 2 24 VAC

TIME RANGE (secs)

Off Time
On Time

- | | | |
|-----------|------------|----------|
| B .06-.25 | F .06-5.0 | K .5-100 |
| C .06-.50 | G .06-10.0 | L .5-250 |
| D .06-1.0 | H .06-25.0 | M .5-500 |
| E .06-2.5 | J .5-50.0 | |

Note: On and Off time ranges must have the same minimum time

TIMING FUNCTION

- 6 Pulsed Off/On
- 7 Maintained Off/On
- 8 On/Off

OUTPUT

B Relay DPDT

OPTION

Timing indication light (previously OP6) is now standard

ACCESSORIES

See accessory section for details

- Potentiometers RP201-RP210
- Locking attachment RP217
- Reference dial RP216
- 12 pin socket RP301

(one included with unit)