

SPECIFICATIONS

INPUT	VOLTAGE: 120VAC
	FREQUENCY: 50/60 Hz
OUTPUT	TOLERANCE (VOLTAGE): ± 15% of nominal
	POWER CONSUMPTION: 10 VA maximum
	TRANSIENT PROTECTION: Isolation transformer
	TYPE: Solid state
OUTPUT	RATING: C output 35VA continuous, 150VA in-rush @ 120VAC
	C2A output 5A continuous, 12.5A in-rush @ 120VAC
TIMING	TYPE: Repeat cycle (start ON or start OFF)
	INDICATION: Optional incandescent light - ON when output energized
	TIMING RAMP: 0.06 sec min time - 100kΩ/sec 0.5 sec min time - 10kΩ/sec
	TIME RANGE: 0.06 to 500 secs in 9 ranges
	RANGE TOLERANCE: ≤ 10%
	CONTROL: Isolated contact closure
	CONTROL TERMINALS: E-F
	VOLTAGE PRESENT AT CONTROL TERMINALS: Same as input voltage 24VDC minimum, 40VDC maximum (OP7)
PHYSICAL	OPERATING TEMP: 0° to 50° C (32° to 120°F)
	TIMING VARIATION VS. TEMP: ± 5% maximum
	MOUNTING: Base mount
	TERMINATION: Terminal block on face of timer
	HOUSING: Metal



Repeat Cycle

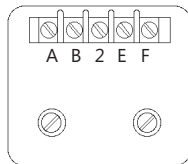
Totally Solid State design eliminates moving parts and provides reliable, long-lasting performance. **Internal Wiring** supplies input power directly to timed output terminals, eliminating the need for an external jumper.

UL File No. E50957

WIRING

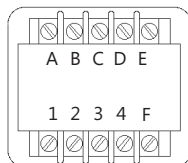
- A-B Voltage input (constant)
- E-F Control (starts timing function)
- B-2 N.O. timed output

Wiring Terminal Location



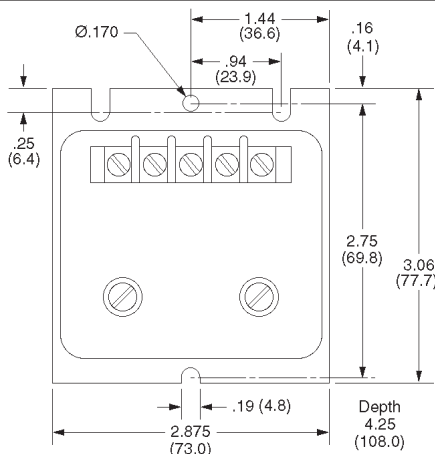
OPTION 3

- A-B Voltage input (constant)
- C-D Remote adjust for ON time, (jumper if not used)
- E-F Control (starts timing function)
- 3-4 Remote adjust for OFF time, (jumper if not used)
- B-2 N.O. timed



Caution: Never apply voltage to terminals E-F

DIMENSIONS Inches (millimeters)



ORDERING DATA

ORDERING CODE 1061 - 1 - E - E - 2 - C OP6

BASIC MODEL NUMBER

1061

INPUT VOLTAGE

1 120VAC

TIME RANGE (Secs)

- D 0.06-1.0
- E 0.06-2.5
- F 0.06-5.0
- G 0.06-10
- H 0.06-25
- J 0.5-50
- K 0.5-100
- L 0.5-250
- M 0.5-500

NOTE: † On and Off times must have same minimum time.

TIMING FUNCTION

- 1 Repeat cycle start Off
- 2 Repeat cycle start On

OUTPUT

- C Solid State (AC) 1 N.O. 35VA
- C2A* Solid State (AC) 1 N.O. 5A (start off only)

OPTION (if desired)

- OP3* Omit both potentiometers and add remote adjust terminals
- OP6 Timing indication light
- OP7 DC control for rapid recycle - 0.05 sec

*Not available on UL units

APPLICABLE ACCESSORIES

See accessory section for details

- Potentiometers RP-201 thru RP-210
- Reference dial RP-216
- Locking attachment RP-217