



KANSON ELECTRONICS, INC.

INDUSTRIAL SOLID STATE TIMER

MODEL 1095 DIN PANEL MOUNT

SPECIFICATIONS

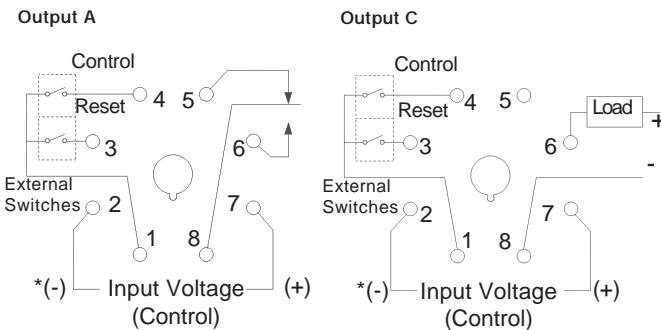
INPUT	VOLTAGE: 24 to 240VAC/DC or 12VDC
	FREQUENCY: 50/60 Hz (AC models)
OUTPUT	POWER CONSUMPTION: 2.5VA (AC models), 2.5W (DC models)
	TRANSIENT PROTECTION: MOV
TIMING	TYPE: Electromechanical relay or transistor
	MECHANICAL LIFE: 10,000,000 operations(Relay only)
	ELECTRICAL LIFE: Relay...100,000 operations minimum (at full rated load) Transistor...10,000,000 operations minimum
PHYSICAL	RATING: Relay...5A @ 250VAC (resistive) Transistor...100mA, 30VDC maximum
	TYPE: Multifunction
PHYSICAL	REPEAT ACCURACY: $\pm 0.005\%$ of setting
	TIMING RANGE: 0.001 secs to 9,999 hours
	RESET TIME: 20 ms
	OPERATING TEMP: -10° to 50° C (14° to 122° F)
PHYSICAL	TIMING VARIATION VS. TEMPERATURE: $\pm .005\%$
	MOUNTING: Plug-In or Panel mount
	TERMINATION: 8 pin socket
	HOUSING: Polycarbonate



Digital Timer

The 1095 features a large, easy to read, LCD display with programmable time ranges from 0.001 seconds to 9999 hours in 7 programmable timing functions. Three power supply options are available, a wide range of 100 to 240 VAC/DC, a 12 to 24VDC and a 24 VAC only version. A battery back-up maintains memory up to 7 years. Output is an SPDT relay or open collector transistor.

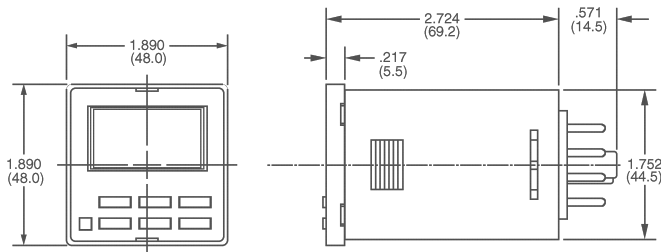
WIRING



*Polarity indicated for DC models only

Do not apply voltage to pins 3 and 4, Control and Reset accomplished by isolated contact closure.

DIMENSIONS Inches (millimeters)



PROGRAMMING

See page 35 for complete programming instructions

ORDERING DATA

ORDERING CODE	1095 - 1 - P - 3 - A
BASIC MODEL NUMBER	1095
INPUT VOLTAGE	1 24 thru 240VAC/DC 2 12VDC
TIME RANGE	P (user selectable ranges) 0.001 seconds to 9,999 hours
TIMING FUNCTION	3 Programmable A On Delay (power control) B On Delay (isolated control) C Off Delay D One shot, Interval E Pulsed On Delay, Latched output F Repeat Cycle G On Delay, time totalizing
OUTPUT	A Relay SPDT C Open Collector Transistor (100mA, 30VDC)

APPLICABLE ACCESSORIES

See accessory section for details

8 pin socket RP-320

8 pin reversible socket RP-321

8 pin cable socket RP-323

Panel mount clip RP-325 (one included with Model

1095)

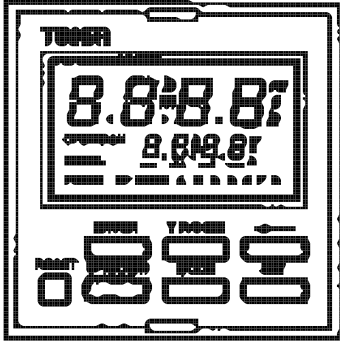
CONTACT FACTORY OR VISIT WEB SITE FOR COMPLETE DATA



KANSON ELECTRONICS, INC.

DIGITAL DIN PANEL MOUNT TIMER PROGRAMMING INSTRUCTIONS

1095 PROGRAMMING



- 1) **TIME RANGE**
 - a) Push "Enter".
 - b) Select the desired range by repeatedly pushing "T.Range" until the proper time range(sec, min, hours, etc) is displayed.
 - c) Push "Enter" or "Reset".
- 2) **TIME VALUE**
 - a) Push "Enter".
 - b) Repeatedly push "←" until the "_" is displayed under the digit to be changed
 - c) Push "Set" to increment the digit to the desired value.
 - d) Push "←" to move to another digit location or push "Enter" if this is the last digit to be changed.
- 3) **TIMING FUNCTION**
 - a) Push "Enter".
 - b) Repeatedly push "Mode" until the proper letter designator for desired mode is indicated(A thru G).
 - c) Push "Enter" or "Reset".
- 4) **COUNT UP/DOWN(Elapsed time)**
 - a) Push "Enter".
 - b) Push "Up/Down" to select direction of elapsed time indication. ("Up" starts at "0" and counts upward. "Down" starts at programmed value and counts down to "0").
 - c) Push "Enter" or "Reset".