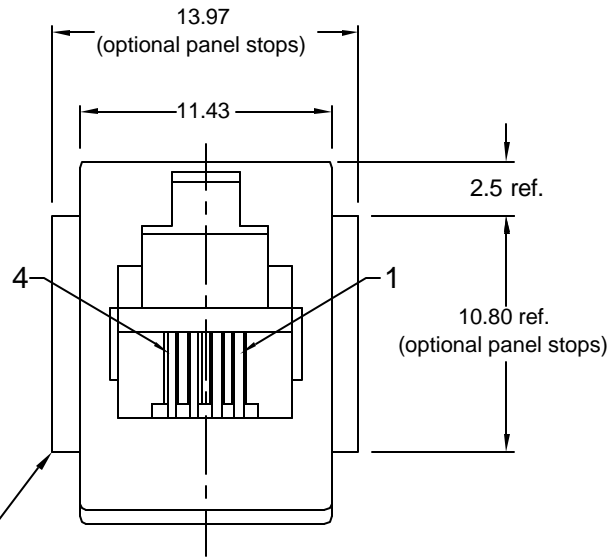
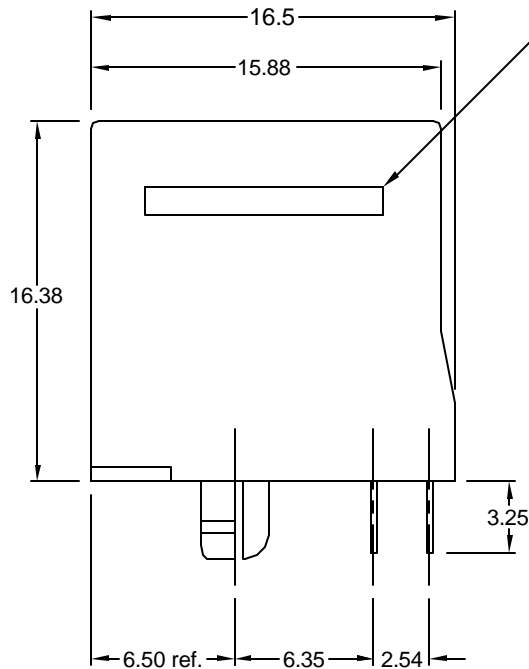
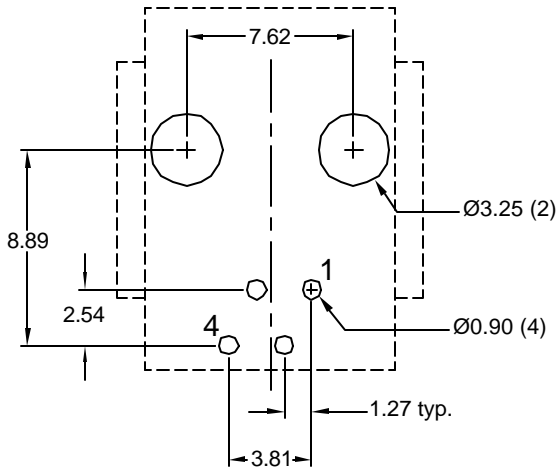
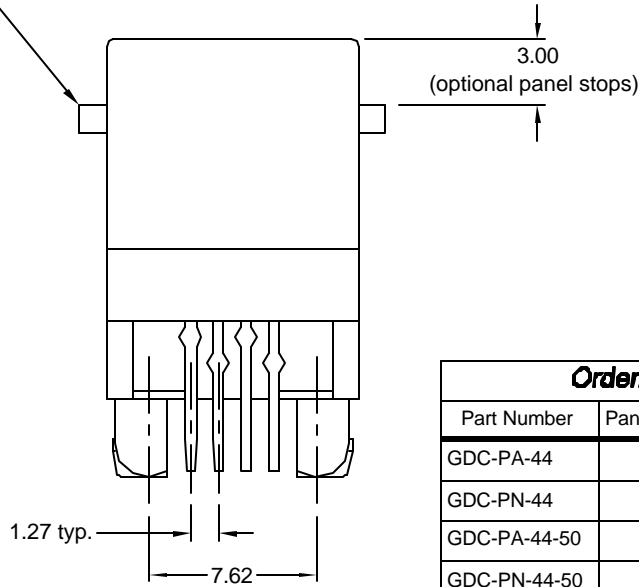


Recommended PCB Layout (top view)



optional panel stops



Materials and Finish

Housing Material-
 PBT thermoplastic
 UL 94V-0 rated
 Color: black

Contact Material-
 phosphor bronze

Plating Options-
 Standard: 0.0001" nickel
 underplating, gold flash plating
 on entire contact

50 Option: 0.0001" nickel
 underplating, entire contact plated
 0.000050" gold to comply
 with FCC requirements
 under No. 47 C.F.R. Part 68,
 Subpart F

Electrical Characteristics

Insulation Resistance-
 500 Megohms min.

Dielectric Withstanding Voltage-
 1000V rms, 60Hz

Contact Resistance-
 20 milliohms max.

Current Rating- 1.5A

Operating Temperature-
 -40°C to +85°C

Durability Rating-
 500 mating cycles min.

Ordering Information

Part Number	Panel Stops	Contact Area Plating
GDC-PA-44	Yes	Gold Flash (standard)
GDC-PN-44	No	
GDC-PA-44-50	Yes	50u" Gold (-50 option)
GDC-PN-44-50	No	

Tolerances

X.X ± 0.38
 X.XX ± 0.25
 Unless Stated
 Otherwise



REV.	DATE	DESCRIPTION	REV. BY	CHK. BY	DRAWN BY	DATE
A0	9/17/03	New Drawing	C. Leiva	H. MA	C. Leiva	9/16/03
A1	10/7/03	Release Drawing	H. MA	N/A		

GDC-Px-44

x = A for panel stops
 x = N for no panel stops

Vertical, Thru-Hole PCB Mount Modular Jack

4 position/4 contacts, closed body type

