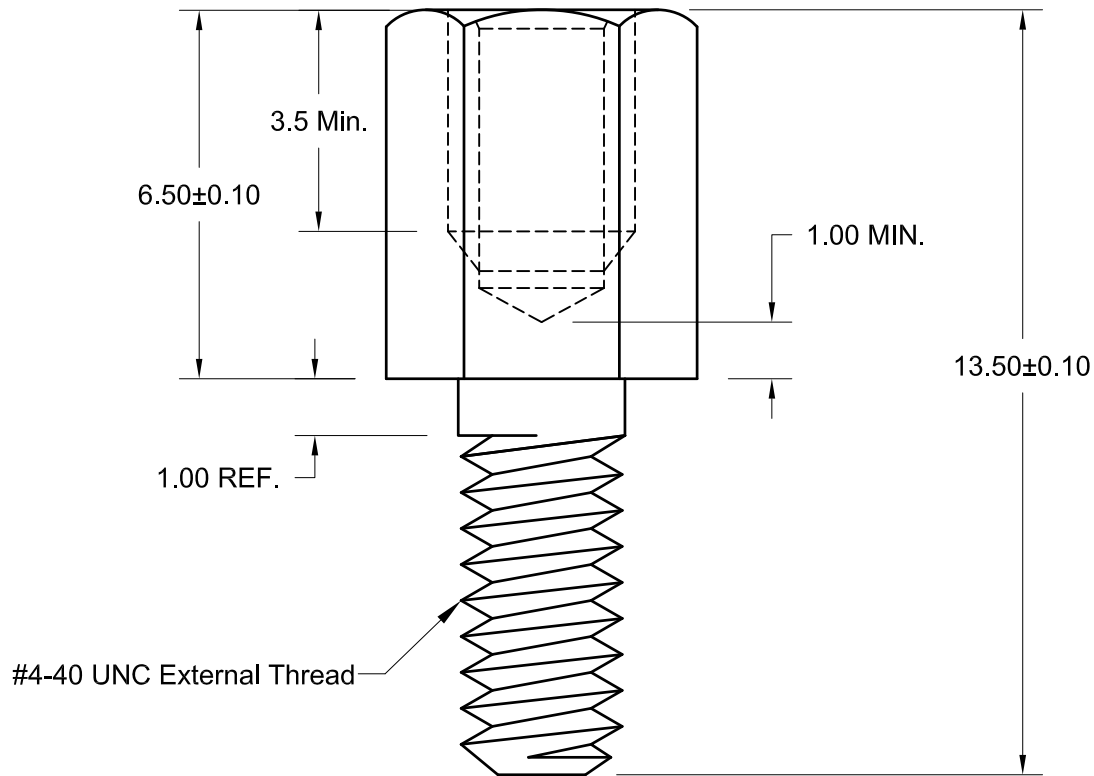
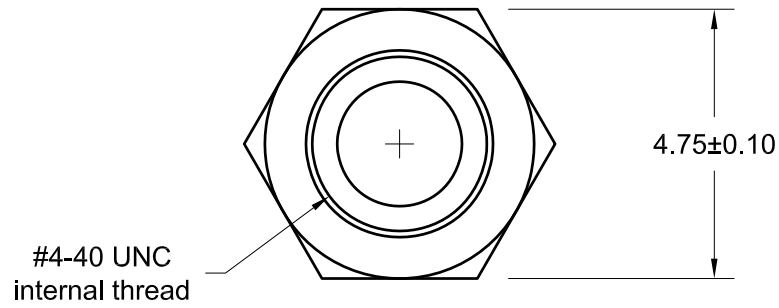


Material: Brass  
Finish: Nickel



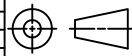
Tolerances
X.X ± 0.25
X.XX ± 0.15
Unless Stated Otherwise

**RoHS COMPLIANT**  
EU Directive 2002/95/EC

REV.	DATE	DESCRIPTION	REV. BY	CHK. BY	DRAWN BY	DATE
A1	02/09/06	New Drawing	R. Aguirre	H. MA	R. Aguirre	02/09/06
A2	03/04/08	ECO #08-009	R. Aguirre	H. MA		
A3	06/11/18	ECO #18-028	G. Serrato	D. Shehan		

**JSX-1065**

Hex. #4-40 UNC Jack Screw, RoHS Compliant  
6.0mm thread length, 6.5mm head length



UNITS  
mm