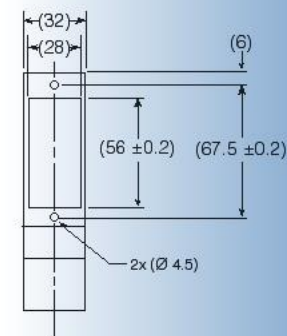
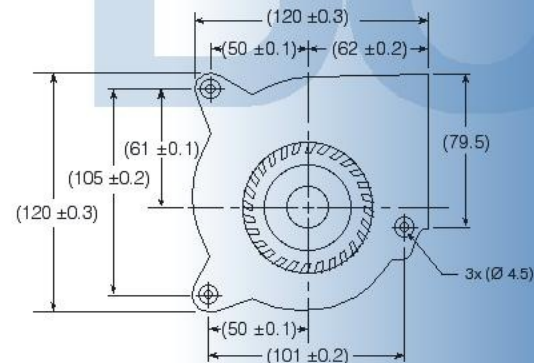


**Size: (120 x 120 x 32 mm)
4.7 x 4.7 x 1.24 inches**

- Outstanding high pressure performance
- 12 or 24 VDC, thermal protection
- Ball bearings
- Optional tachometer or locked rotor signal output



Model No.	Rated Voltage (V)	Current (mA)		Revolution (RPM)	Air Volume (CFM)	Maximum Static Pressure (in H ₂ O)	Sound Noise (dBA)	Weight (oz)
		12	24					
B1232 L	12/24	360	180	2,100	25	0.41	44	7.42
B1232 M	12/24	550	330	2,400	27	0.56	47	7.42
B1232 H	12/24	800	480	2,800	30	0.76	51	7.42

DC Part Numbering System

