

Product data sheet

Specifications



Panel adapter direct mounting, SE Relays, general purpose relay accessory, 784 series

16-784C1

Main

Product Range	Legacy
Product Type	Adaptor
Product Compatibility	relay 784XDX

Complementary

Mounting Support	Direct mounting on DIN rail
Width	1.73 in (44 mm)
Depth	0.63 in (16 mm)

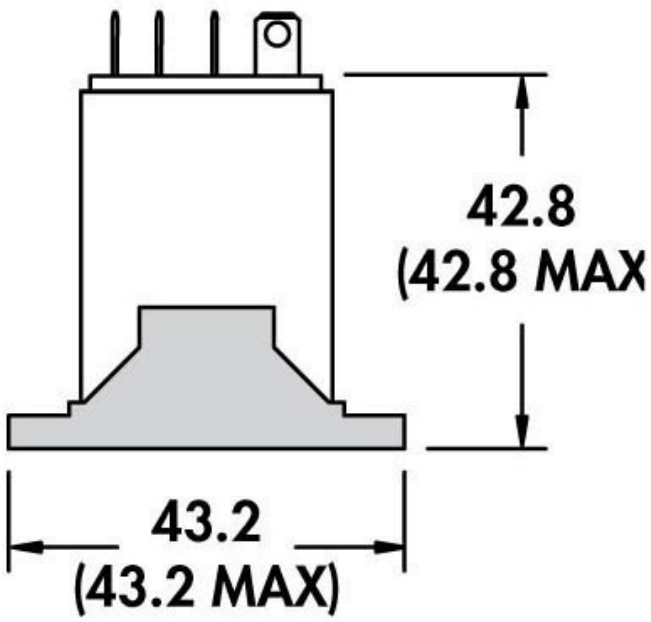
Ordering and shipping details

GTIN	03606480275234
------	----------------

Offer Sustainability

California proposition 65	WARNING: This product can expose you to chemicals including: Nickel compounds, which is known to the State of California to cause cancer, and Di-isodecyl phthalate (DIDP), which is known to the State of California to cause birth defects or other reproductive harm. For more information go to www.P65Warnings.ca.gov
REACH Regulation	REACH Declaration
REACH free of SVHC	Yes
EU RoHS Directive	Pro-active compliance (Product out of EU RoHS legal scope) EU RoHS Declaration
Toxic heavy metal free	Yes
Mercury free	Yes
RoHS exemption information	Yes
China RoHS Regulation	China RoHS declaration

Approximate Dimensions



Approximate Dimensions

