

# Product data sheet

Specifications

## DIN rail end clip, SE Relays, locking screw



16-DCLIP-1

### Main

Product Range	Harmony Electromechanical Relays
Product Type	End bracket

### Complementary

Mounting Support	Direct mounting on DIN rail
Width	1.65 in (42 mm)
Depth	0.87 in (22 mm)

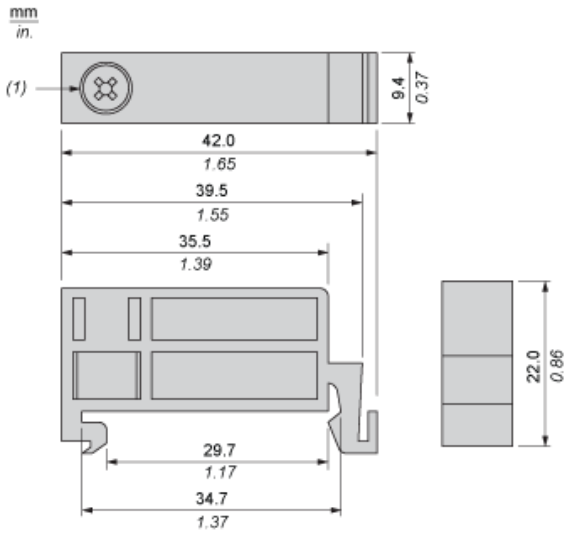
### Ordering and shipping details

GTIN	3606480275319
------	---------------

### Offer Sustainability

California proposition 65	WARNING: This product can expose you to chemicals including: Nickel compounds, which is known to the State of California to cause cancer, and Di-isodecyl phthalate (DIDP), which is known to the State of California to cause birth defects or other reproductive harm. For more information go to <a href="http://www.P65Warnings.ca.gov">www.P65Warnings.ca.gov</a>
REACH Regulation	<a href="#">REACH Declaration</a>
REACH free of SVHC	Yes
EU RoHS Directive	Pro-active compliance (Product out of EU RoHS legal scope) <a href="#">EU RoHS Declaration</a>
Toxic heavy metal free	Yes
Mercury free	Yes
RoHS exemption information	<a href="#">Yes</a>
China RoHS Regulation	<a href="#">China RoHS declaration</a>

Dimensions



(1) : Screw/clear Zinc Chromate