

## Description

# Magnecraft™ General Purpose Relays

## 388J Series

### DPDT 20 A



UL listed when used with proper Magnecraft™ sockets



388J Power Relay

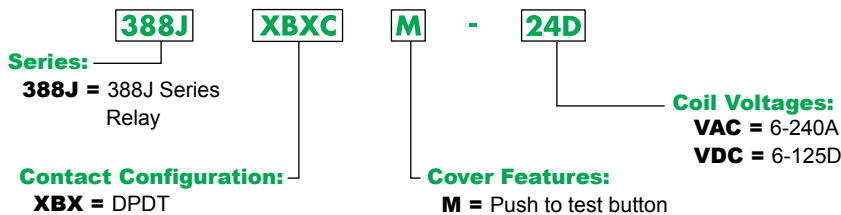
## Description

The 388J plug-in power series offers 20 A current switching, standard mechanical flag indicators and a push-to-test button.

Feature	Benefit
20 A max. switching current	Ideal for automation panels & controls
Push-to-test button	Places contacts in powered position for testing
DPDT contact configuration	Simultaneously control up to 2 separate circuits
Socket mount option	Simplifies installation & maintenance while also allowing the use of protection modules, hold-down clips & other accessories
Gold-flashed contacts	Reduces contact oxidation & increases shelf life
Mechanical flag indicator	Standard feature displays relay status during testing or operation

Contact Rating	Contact Configuration	Nominal Voltage	Coil Resistance (Ω)	Standard Part Number
20 A	DPDT	120 Vac	1700	388JXBXC-M-120A
		24 Vdc	470	388JXBXC-M-24D

## Part Number Explanation



\*Please note that 3PDT contact configurations, clear cover, side flange cover, top flange cover, and DIN mount cover versions are also available. Please contact Customer Service for more information (847-441-2540).

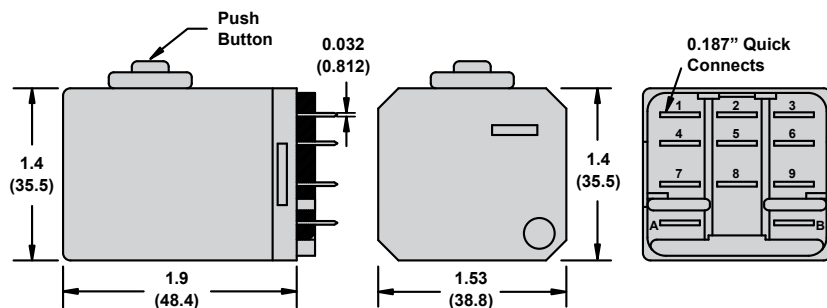
Specifications (UL 508)

Part Number	388JXB
<b>Contact Characteristics</b>	
Terminal Style	Blade
Contact Configuration	DPDT
Maximum Current	20 A
Contact Materials	Silver Alloy
Maximum Switching Voltage	600 V
Rated Switching Current at Voltage	<b>Resistive:</b> 20 A at 300 Vac 50/60 Hz; 20 A at 28 Vdc <b>Motor:</b> 1/2 hp at 600 Vac 50/60 Hz; 1/3 hp at 120 Vac 50/60 Hz <b>Pilot Duty:</b> B600
Minimum Switching Requirement	100 mA at 5 Vdc (0.5 W)
<b>Coil Characteristics</b>	
Maximum Operating Voltage	110% (AC / DC)
Maximum Pickup Voltage	85% (AC); 80% (DC)
Drop-out Voltage Threshold	15% (AC); 10% (DC)
Average Consumption	2.0 – 3.5 VA (AC); 1.44 W (DC)
<b>General Characteristics</b>	
Electrical Life at Rated Load	100,000 operations
Mechanical Life	5,000,000 operations
Operating Time (Response Time)	20 ms
Dielectric Strength - Between Coil and Contact (AC)	2200 V(rms)
Dielectric Strength - Between Poles (AC)	2200 V(rms)
Ambient Air Temperature around the Device - Storage	-40 – +85 °C (-40 – +185 °F)
Ambient Air Temperature around the Device - Operation	-40 – +55 °C (-40 – +131 °F)
Vibration Resistance - Operational	3 g-n at 10-55 Hz
Shock Resistance	10 g-n
Degree of Protection	IP 40
Weight	88 g (3.10 oz)
Agency Approvals	UL with socket, UR (E43641), CSA (LR41729), CE

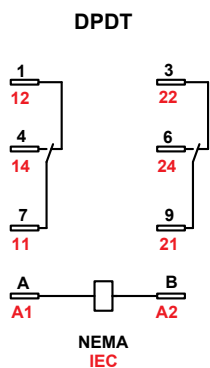
Note: Actual product performance may vary depending on application and environmental conditions.

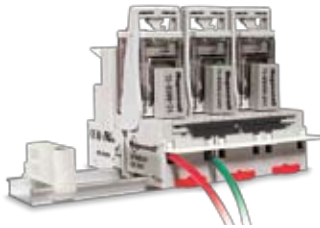
**Dimensions — inches (millimeters)**

388J with Push Button



**Wiring Diagram**





### Description

Optional sockets offer customizable, finger-safe™ solutions including protection modules, hold-down clips, and ID tags. Sockets are DIN rail and panel mount compatible.

### Relay Accessories



Description	Function	For Use With Relays	Pkg. Min.	Standard Part Number
Socket 1	DIN/Panel mount with screw terminals & clamping plates	388J	10	70-463-1
Socket 2	DIN mount with elevator terminals and Module Compatible		10	70-788EL11-1
Socket 3	0.187 in. Quick Connect Terminals with Mounting Tabs		10	70-124-2
Socket 4	Printed circuit terminals with mounting tabs		10	70-178-1
Socket 5	0.187 in. Quick Connect Terminals with Mounting Tabs		10	70-178-2

### Socket Accessories



Description	Function	For Use With Sockets	Coil Voltage	Pkg. Min.	Standard Part Number
Metal Spring Clip 1	Secures relay in socket	70-463-1, 70-124-2, 70-178-1, 70-178-2	–	10	16-1351
Panel Mount Adapter 2	Mounts directly to Panel	70-788EL11-1	–	10	16-788C1
Plastic I.D. Tag 3	Write-on plastic labels	70-788EL11-1	–	10	16-750/788FT-1
Extruded Aluminum DIN Rail, 39.37" (1000 mm) 4	Quick installation and removal of sockets	70-788EL11-1, 70-463-1	–	10	16-700DIN
DIN Rail End Clip 4	Holds sockets firmly in place on DIN rail	70-788EL11-1, 70-463-1	–	10	16-DCLIP-1
Insulated Coil Bus Jumper System 5	Wireless socket connection	70-788EL11-1	–	10	16-750/788CBJ-1
Large Socket Module	MOV Suppressor (Protects from damaging electrical spikes)	70-788EL11-1	24 Vac/Vdc	10	70-ASMM-24
Large Socket Module	Protection Diode (Protects external drive circuitry from inductive voltages)		120 Vac/Vdc	10	70-ASMD-250
Large Socket Module 6	LED Indicator (Provides coil status at a glance)		110/240 Vac/Vdc	10	70-ASMLG-110/240
Large Socket Module	RC Suppressor (Snubs back EMF of relay coil)		110/240 Vac/Vdc	10	70-ASMR-110/240

Note: Use of LED or RC socket module may increase coil power draw by up to 10%.