

Description

Legacy General Purpose Relays

784 Series

4PDT 15 A



UL Listed when used with corresponding sockets

Description

The 784 Series plug-in relays offer clear or full-feature covers with multiple mounting options and accessories.



784 Clear Cover

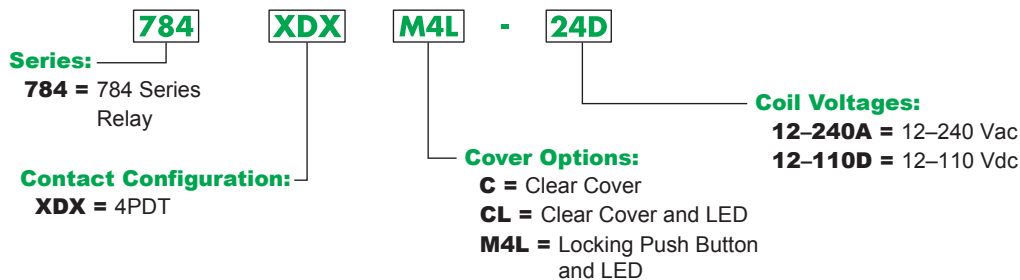


784 Full-Feature Cover

Feature	Benefit
15 A max. switching current	Ideal choice for automation panels and controls
Clear or full-feature cover options	Full-feature covers include an LED indicator and a locking test button
4PDT contact configuration	Simultaneous control of up to 4 separate circuits
Socket-mounting option	Simplified installation and maintenance; use of protection modules, hold-down clips, and other accessories
Gold-flashed contacts	Reduced contact oxidation and increased shelf life
Mechanical flag indicator (standard)	Display of the relay status during testing or operation

Contact Rating	Contact Configuration	Nominal Voltage	Coil Resistance (Ω)	Standard Part Number		
				Clear Cover	Clear Cover with LED	Full-Feature
15 A	3PDT	12 Vac, 50/60 Hz	20	784DXC-12A	784DXCL-12A	784DXM4L-12A
		24 Vac, 50/60 Hz	80	784DXC-24A	784DXCL-24A	784DXM4L-24A
		48 Vac, 50/60 Hz	310	784DXC-48A	784DXCL-48A	784DXM4L-48A
		120 Vac, 50/60 Hz	2100	784DXC-120A	784DXCL-120A	784DXM4L-120A
		240 Vac, 50/60 Hz	8000	784DXC-240A	784DXCL-240A	784DXM4L-240A
		12 Vdc	76	784DXC-12D	784DXCL-12D	784DXM4L-12D
		24 Vdc	303	784DXC-24D	784DXCL-24D	784DXM4L-24D
		48 Vdc	1210	784DXC-48D	784DXCL-48D	784DXM4L-48D
		110 Vdc	6370	784DXC-110D	784DXCL-110D	784DXM4L-110D

Part Number Explanation



For more information, contact Customer Service (1-847-441-2540).

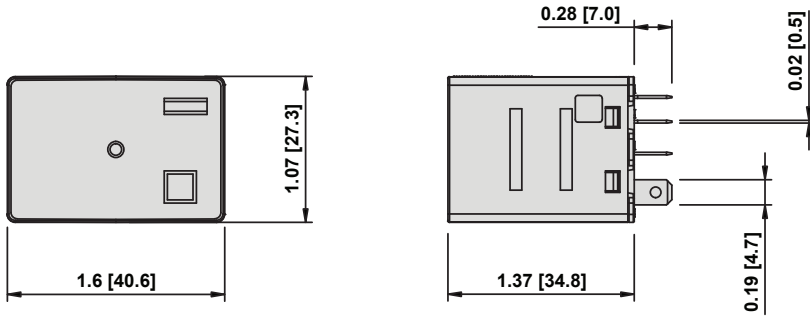
Specifications

Part Number		784XDX
Contact Characteristics		
Terminal Style		Blade
Contact Material		Silver Alloy
Contact Configuration		4PDT
Carrying Current per Pole		15 A
Maximum Switching Voltage		IEC: 250 Vac / 28 Vdc UL/CSA: 300 Vac / 28 Vdc
Rated Switching Current (Conforming to IEC AC-1 and DC-1)	at 250 Vac	N.O.: 15 A; N.C.: 7.5 A
	at 28 Vdc	N.O.: 15 A; N.C.: 7.5 A
Rated Switching Current (Conforming to UL)	Resistive	15 A at 277 Vac, 50/60 Hz, 100 k cycles 15 A at 28 Vdc, 100 k cycles
	Motor	1/2 hp at 120 Vac, 1 k cycles 1 hp at 277 Vac, 1 k cycles
	Pilot Duty	B300
Rated Switching Current (Conforming to CSA)	Resistive	15 A at 150 Vac, 50/60 Hz, 100 k cycles, 30 A max. total 10 A at 277 Vac, 50/60 Hz, 100 k cycles, 20 A max. total 15 A at 28 Vdc, 100 k cycles, 30 A max. total
	Motor	1/2 hp at 120 Vac, 1 k cycles 1 hp at 277 Vac, 1 k cycles, 2 hp max. total
	Pilot Duty	B300
Minimum Switching Requirement		10 mA at 17 Vdc
Coil Characteristics		
Maximum Operating Voltage		110% (AC/DC)
Maximum Pickup Voltage		85% (AC); 80% (DC)
Drop-out Voltage Threshold		15% (AC); 10% (DC)
Average Consumption		Standard: 2.5 VA (AC); 1.6 W (DC) With LED: 2.85 VA (AC); 1.95 W (DC)
General Characteristics		
Electrical Life at Rated Load		100,000 operations
Mechanical Life (Unpowered)		10,000,000 operations
Operating Time		20 ms
Dielectric Strength	Between Coil and Contact (AC)	2000 V (rms)
	Between Poles (AC)	2000 V (rms)
	Between Contacts (AC)	1500 V (rms)
Ambient Air Temperature Around the Device	Storage	-40 to +85 °C (-40 to +185 °F)
	Operation	-40 to +55 °C (-40 to +131 °F)
Vibration Resistance—In Operation		±1 mm (10–35 Hz) and 3 gn (35–150 Hz)
Shock Resistance		15 gn
Degree of Protection (Housing Only)		IP40
Weight		80 g (2.82 oz)
Agency Approvals		UL with socket, UR (E164862), CE, CSA (LR44087), RoHS

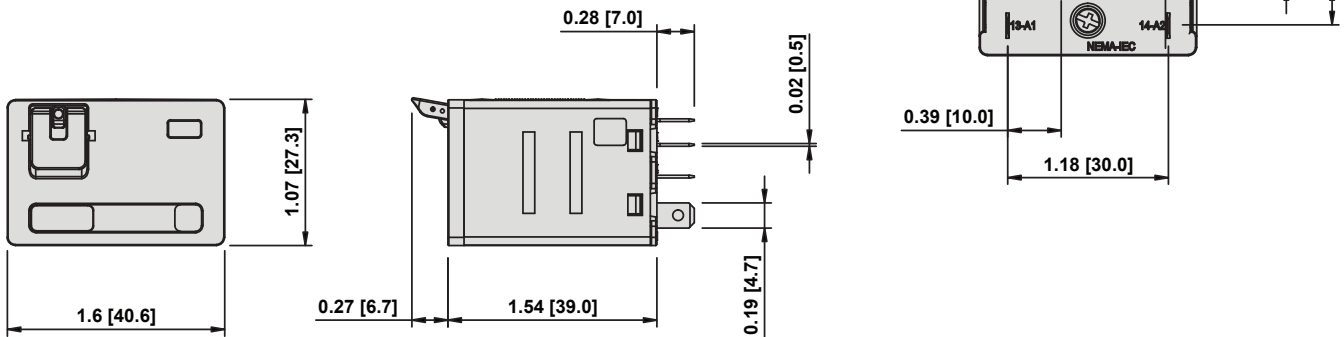
Note: Actual product performance may vary depending on the application and environmental conditions.

Dimensions, in. (mm)

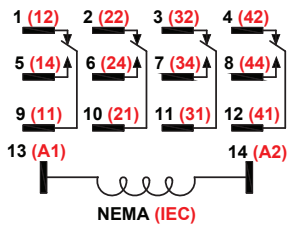
Clear Cover Dimensions



Full-Feature Cover Dimensions

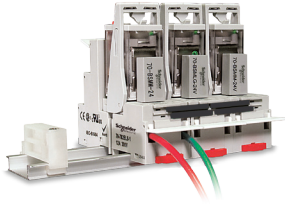


Wiring Diagram



Legacy General Purpose Relays

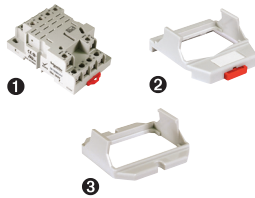
784 Series Accessories



Description

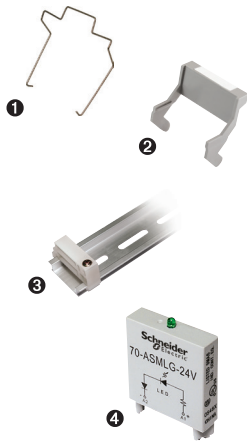
Optional sockets offer customizable solutions including protection modules, hold-down clips, and ID tags. Sockets are finger-safe according to IP20, and compatible with DIN rail or panel mounting.

Relay Accessories



Description	Function	For Use with Relays	Pkg. Min.	Standard Part Number
Socket ①	DIN or panel mounting (finger-safe according to IP20) with screw terminals and clamping plates	784XDX	10	70-784D14-1
Adapter ②	DIN rail adapter		10	16-784C
Adapter ③	Flange mount adapter		10	16-784C1

Socket Accessories



Description	Function	For Use with Socket	Coil Voltage	Pkg. Min.	Standard Part Number
Metal Spring Clip ①	Securing the relay in the socket	70-784D14-1	—	10	16-784SC
Plastic ID Hold-Down Clip ②	Securing the relay in the socket and providing labeling		—	10	16-784IDC
Extruded Aluminum DIN Rail, 1 m (39.37 in.) ③	Quick installation and removal of the sockets		—	10	16-700DIN
DIN Rail End Clip ③	Holding the sockets firmly in place on a DIN rail	—	—	10	16-DCLIP-1
Large Socket Module					
MOV Suppressor	Protection from damaging electrical spikes	70-784D14-1	24 Vac/Vdc	10	70-ASMM-24
Protection Diode	Protecting the external drive circuitry from inductive voltages		250 Vdc	10	70-ASMD-250
LED Indicator ④	Providing coil status at a glance		110/240 Vac/Vdc	10	70-ASMLG-110/240
RC Suppressor	Snubbing back the EMF of the relay coil		110/240 Vac	10	70-ASMR-110/240

Note: Using an LED or an RC socket module can increase the coil power draw by up to 10%.