



Better. By Design.

PERCENTAGE TIMERS



CATALOG OF PRODUCTS

PERCENTAGE TIMER

PTA SERIES | WITH MEMORY



- ◆ Industry-standard panel cutout and mounting pattern
- ◆ Retains timing sequence in the event of power loss
- ◆ Onboard potentiometer for easy time delay adjustment
- ◆ LED indicates relay status
- ◆ 10A SPNO output
- ◆ Terminal block makes wiring easier from top or bottom
- ◆ Secure termination with bare wire or crimp terminals
- ◆ Touch-safe terminal cover available - Macromatic P/N 70600
- ◆ Mounting hardware included



Better. By Design.

800.238.7474

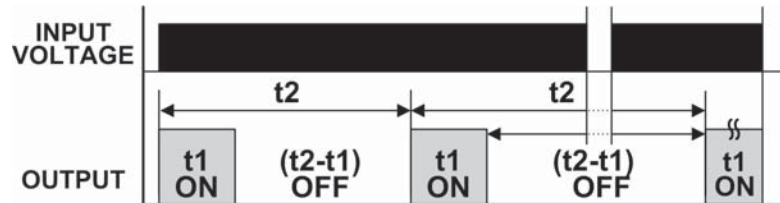
WWW.MACROMATIC.COM

SALES@MACROMATIC.COM

The PTA Series is a microprocessor-based Percentage Timer that delivers reliable and accurate timing for critical applications where the ON time (t_1), as a percentage of the total cycle time, must be adjustable. The fixed overall length (t_2) of the repeating ON/OFF cycle is selected as the time range with multiple ranges offered in seconds, minutes, and hours. Typical applications include controls for irrigation, chemical feeding, electric heating & cooling, motors and lubrication systems.

FUNCTION: PERCENTAGE

Upon initial application of input voltage, the output is energized and time delay (t_1) begins. Time Delay (t_1) is adjustable as a percentage of the overall cycle time (t_2). At the end of time delay (t_1), the output is de-energized for the remainder of overall cycle (t_2-t_1). The sequence then repeats until input voltage is removed. If input voltage is removed and reapplied, the timing cycle will continue from where it left off when the input voltage was removed. A setting of 100% energizes the output continuously while a setting of 0% de-energizes the output continuously.



INPUT VOLTAGE (50/60HZ)	TIME RANGE (t_2)	PRODUCT NUMBER	WIRING
120V AC	15 Seconds 30 Seconds 1 Minute 2 Minutes 15 Minutes 30 Minutes 1 Hour	PTA2015S PTA2030S PTA2001M PTA2002M PTA2015M PTA2030M PTA2001H	<p>DIAGRAM 209</p>
240V AC	15 Seconds 30 Seconds 1 Minute 2 Minutes 15 Minutes 30 Minutes 1 Hour	PTA1015S PTA1030S PTA1001M PTA1002M PTA1015M PTA1030M PTA1001H	<p>DIAGRAM 209</p>

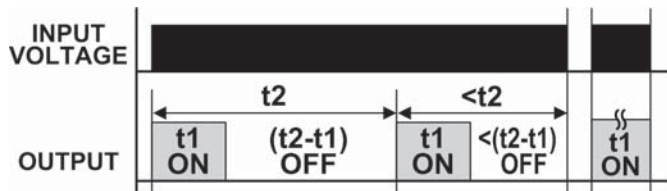
PERCENTAGE TIMER

PTA SERIES | NO MEMORY

The PTA Series without memory is a microprocessor-based Percentage Timer that delivers reliable and accurate timing for critical applications where the ON time (t_1), as a percentage of the total cycle time, must be adjustable. The fixed overall length (t_2) of the repeating ON/OFF cycle is selected as the time range with multiple ranges offered in seconds, minutes, and hours. Typical applications include controls for irrigation, chemical feeding, electric heating & cooling, motors and lubrication systems.

FUNCTION: PERCENTAGE (NO MEMORY)

Upon initial application of input voltage, the output is energized and time delay (t_1) begins. Time Delay (t_1) is adjustable as a percentage of the overall cycle time (t_2). At the end of time delay (t_1), the output is de-energized for the remainder of overall cycle (t_2-t_1). The sequence then repeats until input voltage is removed. If input voltage is removed and reapplied, the timing cycle will be reset. A setting of 100% energizes the output continuously while a setting of 0% de-energizes the output continuously.



INPUT VOLTAGE (50/60HZ)	TIME RANGE (t_2)	PRODUCT NUMBER	WIRING
120V AC	15 Seconds 30 Seconds 1 Minute 2 Minutes 15 Minutes 30 Minutes 1 Hour	PTA2015SB PTA2030SB PTA2001MB PTA2002MB PTA2015MB PTA2030MB PTA2001HB	
240V AC	15 Seconds 30 Seconds 1 Minute 2 Minutes 15 Minutes 30 Minutes 1 Hour	PTA1015SB PTA1030SB PTA1001MB PTA1002MB PTA1015MB PTA1030MB PTA1001HB	<p>DIAGRAM 209</p>



- ◆ Industry-standard panel cutout and mounting pattern
- ◆ No memory
- ◆ Onboard potentiometer for easy time delay adjustment
- ◆ LED indicates relay status
- ◆ 10A SPNO output
- ◆ Terminal block makes wiring easier from top or bottom
- ◆ Secure termination with bare wire or crimp terminals
- ◆ Touch-safe terminal cover available - Macromatic P/N 70600
- ◆ Mounting hardware included



Better. By Design.

800.238.7474

WWW.MACROMATIC.COM

SALES@MACROMATIC.COM

PERCENTAGE TIMER

PTA SERIES

APPLICATION DATA

Voltage Tolerance:

+10/-15% of nominal at 50/60 Hz

Load (Burden): Maximum of 3 VA for all voltages

Setting Accuracy: +/- 2%

Setting Precision: +/- 1% of total cycle time

Dial Resolution: Dial settings marked in 1% increments

Indication:

LED remains on steady during relay OFF time

LED blinks during relay ON time

Repeat Accuracy: (constant voltage and temperature):

+/-0.1% or +/- 0.04 seconds, whichever is greater

Reset Time: 300ms

Start-up Time: (Time from when power is applied until unit is

timing): 0.05 Seconds

Temperature:

Operating: -28° to 65°C (-18° to 149°F)

Storage: -40° to 85°C (-40° to 185°F)

Output Contacts:

10A @ 240VAC / 7A @ 28V DC SPNO, 1/4hp @ 120V AC

Life:

Mechanical: 10,000,000 operations

Full Load: 100,000 operations

Mounting:

Panel Mount with supplied hardware

Termination:

Pressure Clamp Screw Terminals

#12-22 AWG Wire, Solid, Stranded Wire

Recommended Tightening Torque 7 in.-lbs. (12 in.-lbs maximum)

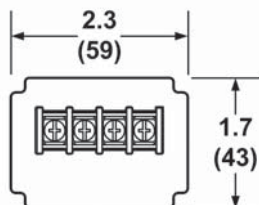
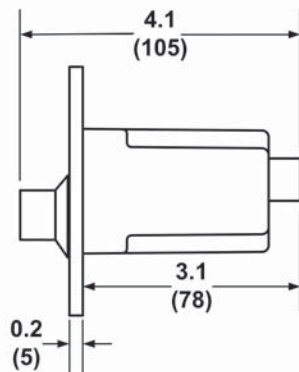
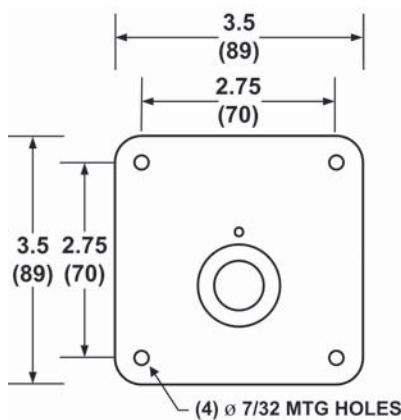
PT Series Finger-Safe Terminal Cover P/N 70600



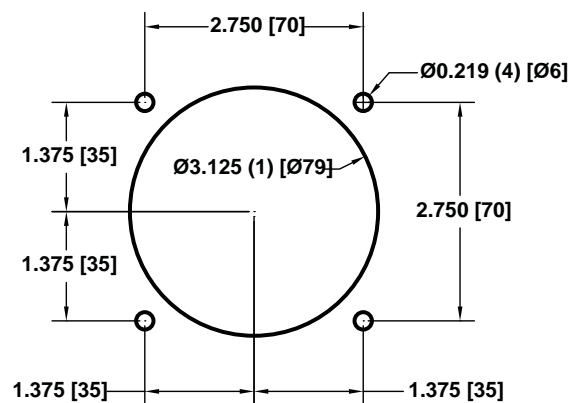
Approvals:



DIMENSIONS



Panel Cutout



All Dimensions in
Inches (Millimeters)

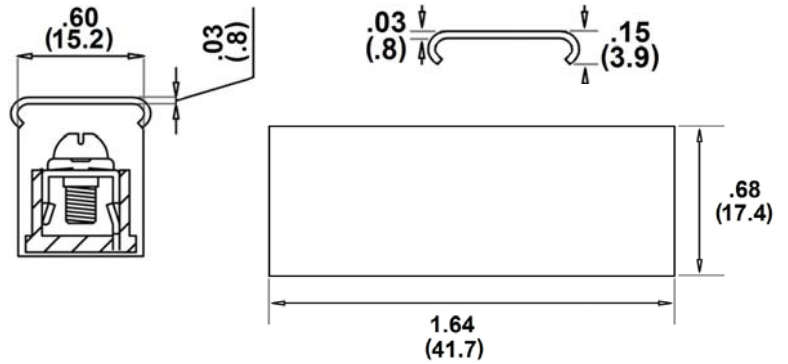
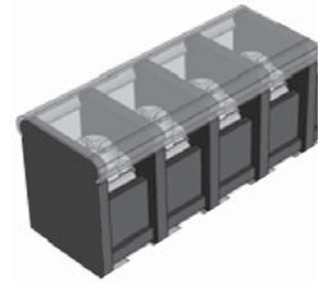
ACCESSORIES

PTA SERIES

PT Series Finger-Safe Terminal Cover Catalog Number 70600

Cover for terminal block on the PT Series Percentage Timer. Snaps in place for a quick and reliable terminal cover solution.

- **Material:** Polycarbonate
- **Flame Rating:** UL94V-2
- **Temperature:** -40 to 80°C



MACROMATIC INDUSTRIAL CONTROLS

Located in Menomonee Falls, Wisconsin, Macromatic Industrial Controls engineers and manufactures industrial relays that control electrical processes and monitor power for damaging fault conditions.

Macromatic provides solutions for almost any application in any industry. Macromatic's products are used in the HVACR, pump control, material handling, motor control, generator, and lift and elevator industries, plus more.

As an independently-owned manufacturer of state-of-the-art control and monitoring products for over 40 years, Macromatic takes pride in its short lead-time, flexible product design, and exceptional technical support.

Visit www.macromatic.com today.



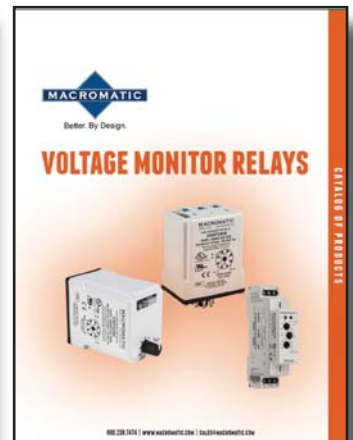
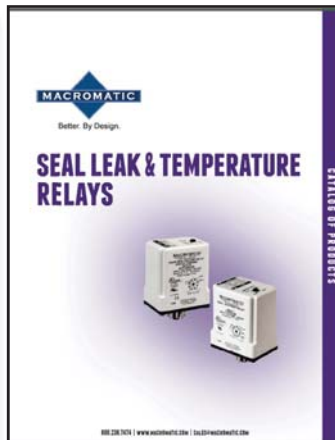
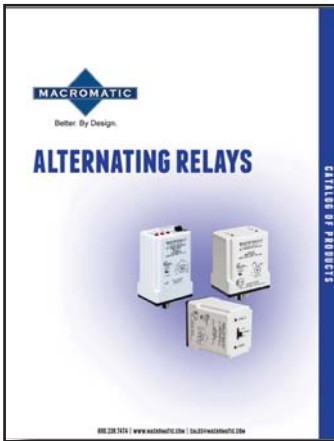
Better. By Design.

800.238.7474 | WWW.MACROMATIC.COM | SALES@MACROMATIC.COM

MACROMATIC INDUSTRIAL CONTROLS

FAMILY OF PRODUCTS

MACROMATIC INDUSTRIAL CONTROLS



Better. By Design.

800.238.7474 | [WWW.MACROMATIC.COM](http://www.macromatic.com) | SALES@MACROMATIC.COM