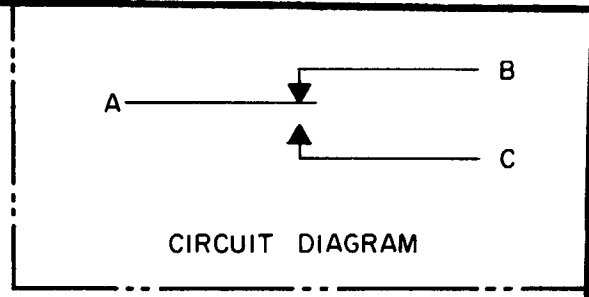


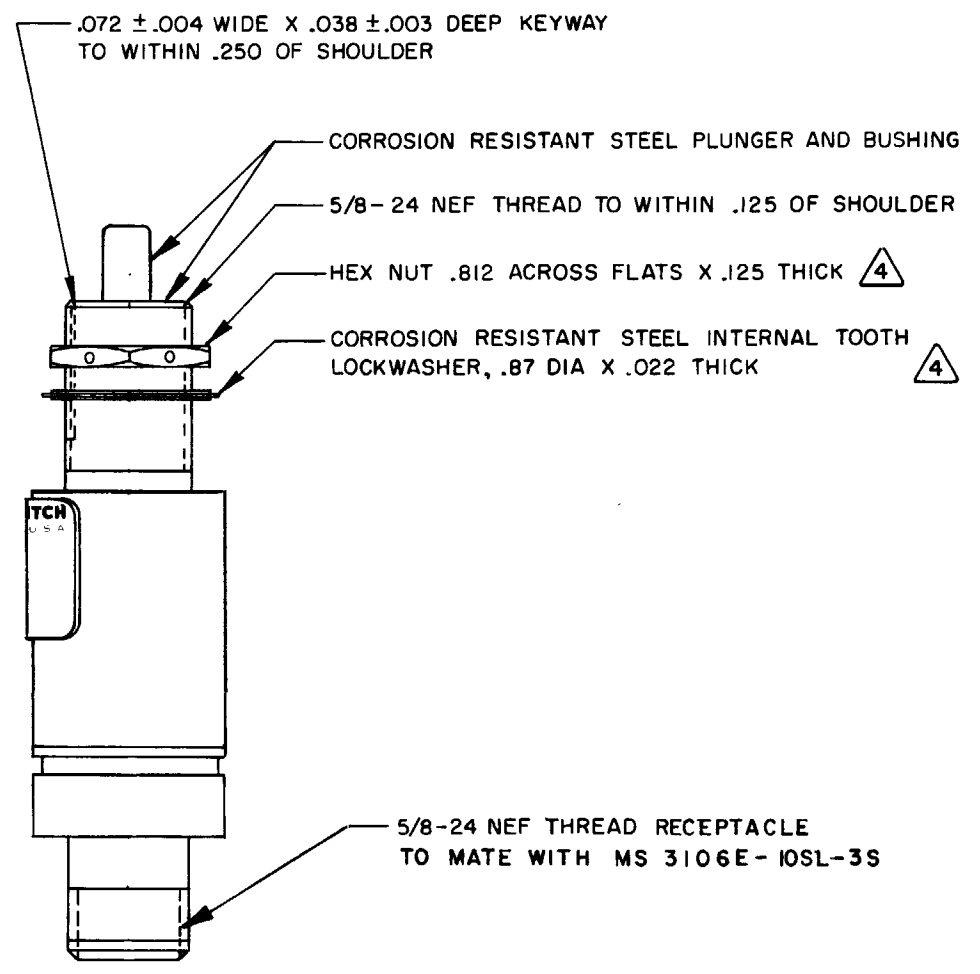
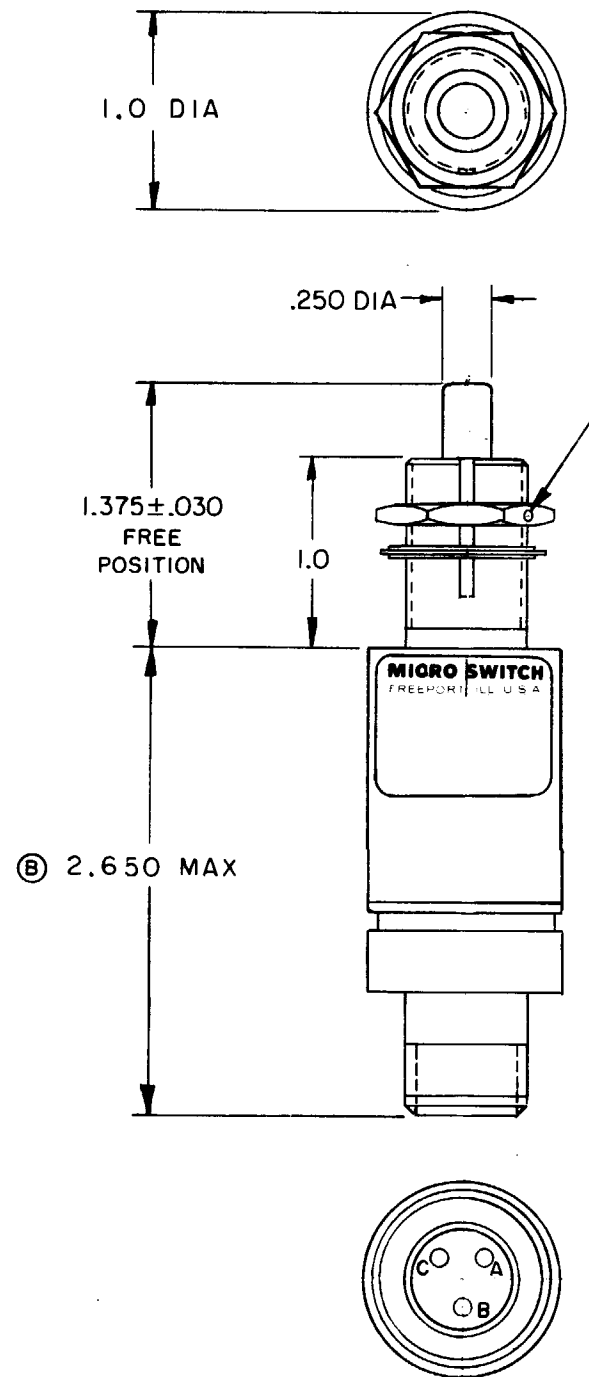
H MICRO SWITCH
 FREEPORT, ILLINOIS, U.S.A.
 A DIVISION OF HONEYWELL
 FED. MFG. CODE 91929

SWITCH - ENCLOSED

CATALOG LISTING
1CH32 - RB



FO-50378-003
 DRAWN
 M B F 10 SEP 65
 CHECK
 T 5 DEC 82
 K CO58255
 J CO51315
 H CO 48557
 G 47573
 F 44351
 E CO-34722
 D CO33906
 C CO30832
 B CO20965
 A SR 11965
 M B F 10 SEP 65
 M B F 21 FEB 66
 R E R 20 JUL 72
 R E R NOV 74
 J A L 7 JAN 75
 S L B 7 DEC 78
 J M J 24 JUL 80
 M B F 10 SEP 65
 M B F 15 APR 88
 M 68426
 M A M 31 AUG 90
 CO 63259
 TSK
 15 APR 88
 M 68426
 M A M 31 AUG 90
 1CH32-RB
 DRAWING NUMBER
 M 1CH32-RB
 REPLACES
 SR-11965
 RELEASE NO.



REVISIONS

A	SR 11965	13 SEPT 65
M B F	10 SEP 65	
B	CO 20965	13 SEPT 65
M B F	21 FEB 66	
C	CO 30832	13 SEPT 65
R E R	20 JUL 72	
D	CO 33906	13 SEPT 65
R E R	NOV 74	
E	CO-34722	13 SEPT 65
J A L	7 JAN 75	
F	44351	13 SEPT 65
S L B	7 DEC 78	
G	47573	13 SEPT 65
J M J	24 JUL 80	
H	48557	13 SEPT 65
G J W	23 JUN 81	
J	CO51315	13 SEPT 65
J A P	16 JUN 82	
K	CO58255	13 SEPT 65

THIS DRAWING COVERS A PROPRIETARY ITEM AND IS THE PROPERTY OF MICRO SWITCH, A DIVISION OF MINNEAPOLIS-HONEYWELL REGULATOR CO. THIS DRAWING IS NOT TO BE COPIED OR USED WITHOUT THE APPROVAL OF MICRO SWITCH.

CHARACTERISTICS		ELECTRICAL DATA		SCALE FULL
OPERATING FORCE	3-6 LB	CONTACT ARRANGEMENT		DO NOT SCALE PRINT
FULL OVERTRAVEL FORCE	17 LB MAX	SPDT		UNLESS OTHERWISE NOTED
RELEASE FORCE	2 LB MIN	LOAD	28 VDC	DIMENSIONS ARE IN INCHES
PRETRAVEL	.040 MAX	RES	SEA LEVEL 50,000 FT.	TOLERANCES ARE:
DIFFERENTIAL TRAVEL	.020 MAX	IND		ONE PLACE (.0) ±.030
OVERTRAVEL	.250 MIN	MOTOR		TWO PLACE (.00) ±.015
				THREE PLACE (.000) ±.005
				ANGLES ±.005
				WEIGHT 6.5 OZ MAX

- NOTES
- 1 - CORROSION RESISTANT STEEL ENCLOSURE
 - 2 - SWITCH SEALED PER MIL-S-8805 SYMBOL 2
 - 3 - CIRCUIT DIAGRAM, CATALOG LISTING AND DATE CODE ARE SHOWN ON NAMEPLATE
- △ HARDWARE MAY BE PACKAGED UNASSEMBLED PER MIL-S-8805