

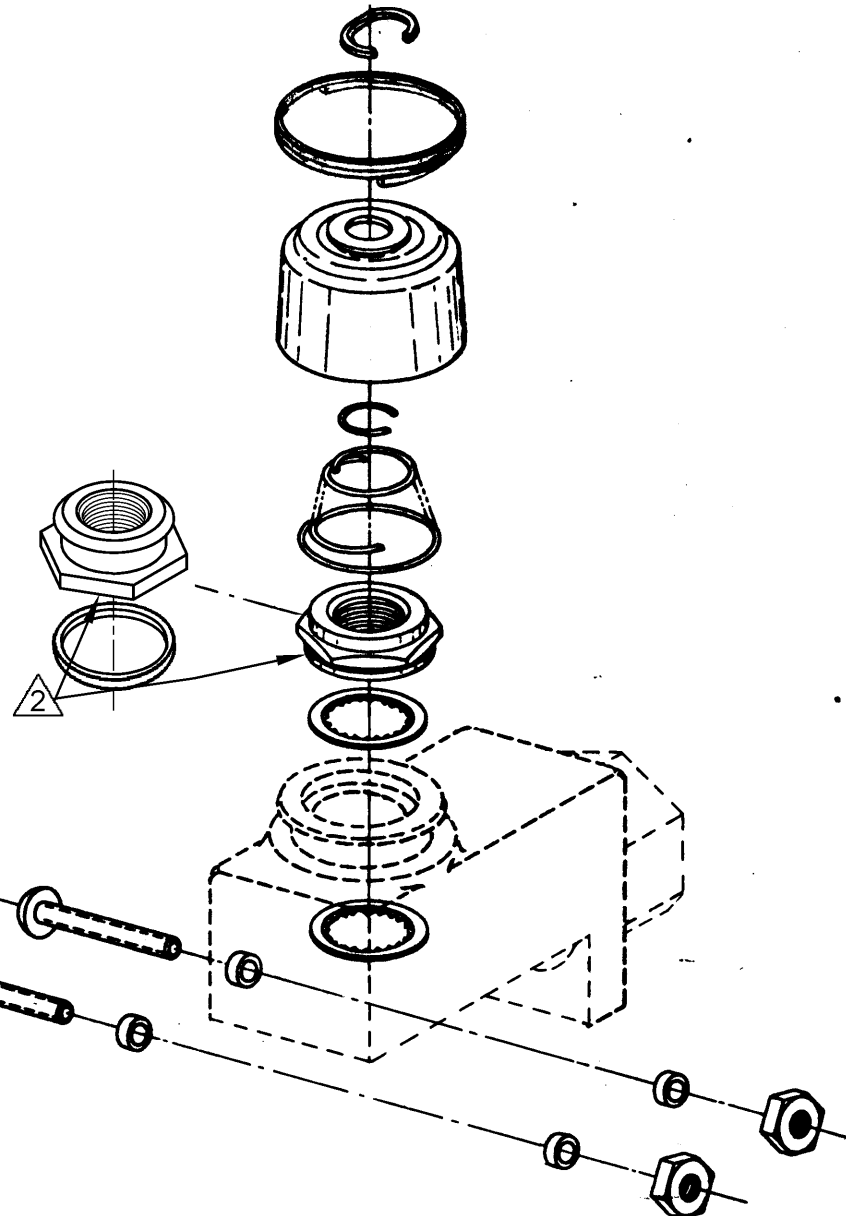
# MICRO SWITCH

FREEPORT ILLINOIS, U.S.A  
A DIVISION OF HONEYWELL  
FED. MFG. CODE 9 1929

## PACKET

CATALOG LISTING

# IPA2

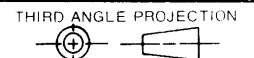


### NOTES

- 1 - PARTS FURNISHED UNASSEMBLED IN BULK AS A PACKET
- 2 TWO DIFFERENT STYLE NUTS PROVIDED. USE NUT SIMILAR TO NUT BEING REPLACED

REPLACES: IPA2  
RELEASE NO. CO13036  
CHECK: CO13036  
REVISIONS:  
A CO 47659 TSK 17 NOV 81  
B CO-1 77179-D JJG 12 MAR 94  
D 207041 TSM 17 DEC 02  
E 0001036 GLH 5AUG03  
CHECK: 18 NOV 81  
DRAWN: RASTER  
FO-52848-A  
T S K 17 NOV 81

THIS DRAWING COVERS A PROPRIETARY ITEM AND IS THE PROPERTY OF MICRO SWITCH, A DIVISION OF HONEYWELL. THIS DRAWING IS NOT TO BE COPIED OR USED WITHOUT THE APPROVAL OF MICRO SWITCH.



### CHARACTERISTICS

### ELECTRICAL DATA

SCALE

CONTACT ARRANGEMENT

DO NOT SCALE PRINT

#### TOLERANCES

APPLY TO DESIGN UNITS. CONVERSIONS ARE ONLY FOR REFERENCE. UNLESS NOTED, TOLERANCES ARE ±

	DIM. mm	TOL. mm/in	DIM. in	TOL. mm/in
NO PLACES	X	1/04	X	0.03
ONE PLACE	X,X	0.4/016	X,X	0.38/015
TWO PLACES	X,XX	0.15/006	X,XX	0.13/005
THREE PLACES	X,XXX		X,XXX	
ANGLES				

SI METRIC  US CUSTOMARY

WEIGHT