

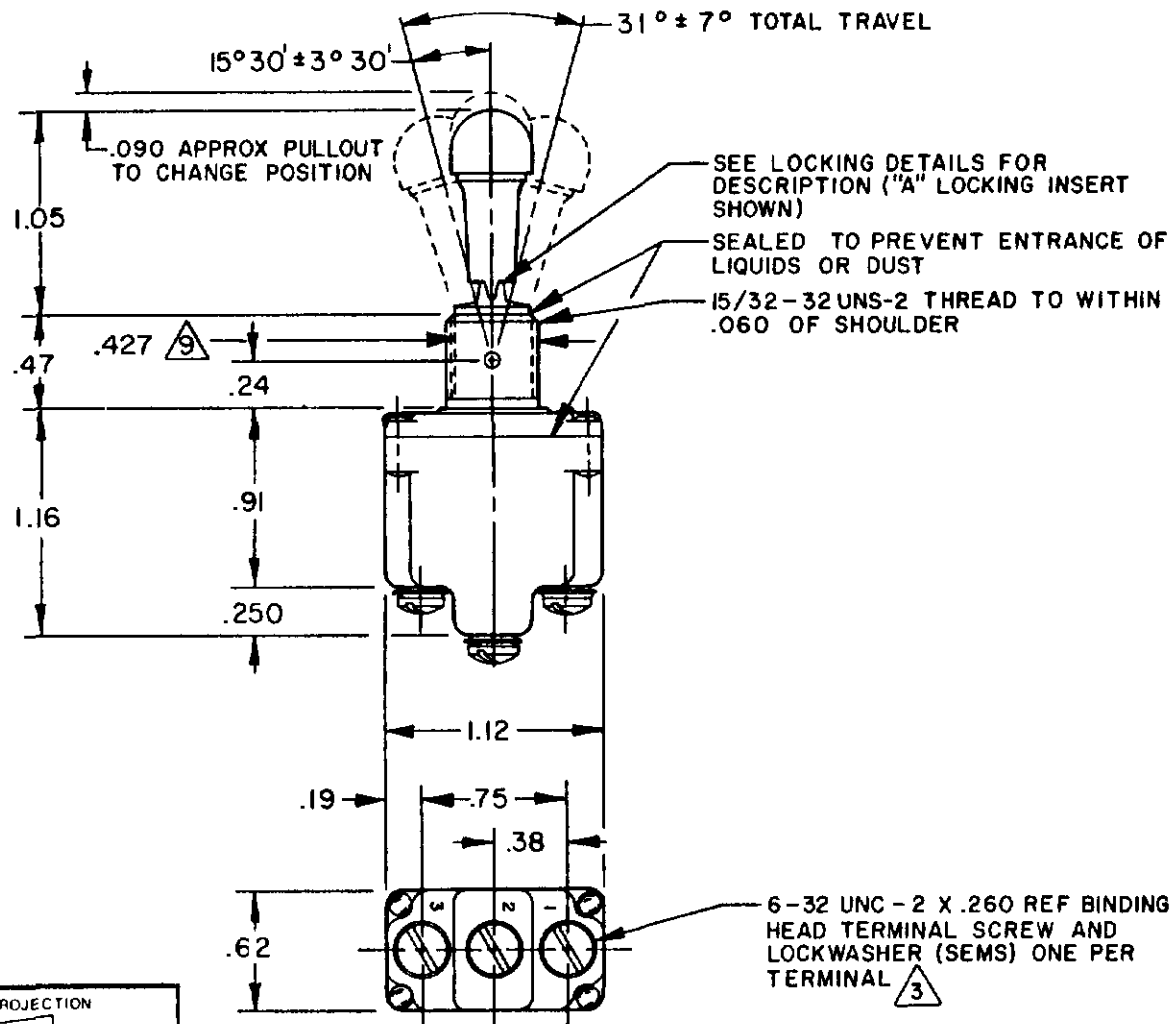
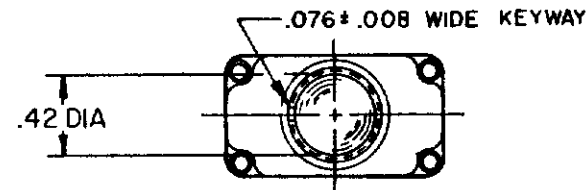
MICRO SWITCH

FREEDPORT, ILLINOIS U.S.A.
A DIVISION OF HONEYWELL
FED. MFG. CODE 91929

SWITCH-TOGGLE

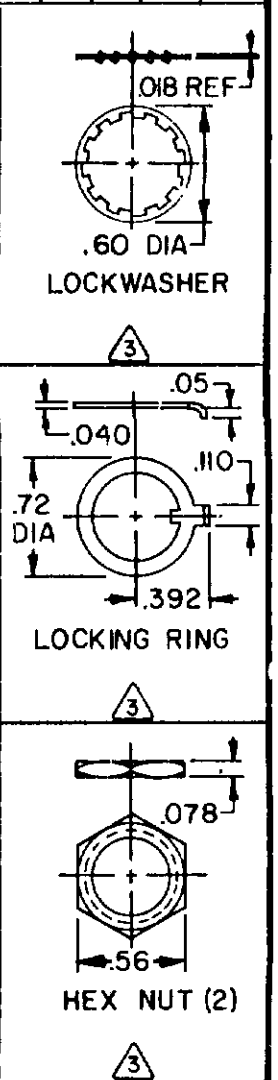
CATALOG LISTING 1TL1 SERIES CHART 2

THIS DRAWING COVERS A PROPRIETARY ITEM AND IS THE PROPERTY OF MICRO SWITCH, A DIVISION OF HONEYWELL. THIS DRAWING IS NOT TO BE COPIED OR USED WITHOUT THE APPROVAL OF MICRO SWITCH.



MILITARY STANDARD NUMBER △6	CATALOG LISTING △6	AVAILABLE LOCKING COMBINATIONS FOR CONFIGURATION SEE LETTERED DETAILS	CIRCUIT MADE WITH TOGGLE LEVER IN			MILITARY RATING (AMPS)											
			KEYWAY SIDE (1-2)	CENTER (1-2)	OPPOSITE KEYWAY (2-3)	RESISTIVE LOAD		LAMP LOAD		INDUCTIVE LOAD							
						DC VOLTS	IAC VOLTS	28 VDC	125 VAC	28 VDC	125 VAC						
MS-24658-21	ITLI-1	ABDEF, GH, J, K, L, M, N, P	ON	OFF	ON												
MS-24658-22	ITLI-2	D, F, G	OFF	NONE	ON												
MS-24658-23	ITLI-3	D, F, G	ON	NONE	ON	20	75	5	15	6	5	3	15	10			
MS-24658-24	ITLI-2I	E, F, K, M	NONE	OFF	ON	(REFER TO L191 FOR UL RATING)											
MS-24658-33	ITLI-3I	E, F, K, M	NONE	ON	ON												
MS-24658-29	ITLI-4	F	MOM OFF	NONE	ON												
MS-24658-31	ITLI-5	E, F, K, L, M, N	MOM ON	OFF	ON												
MS-24658-30	ITLI-6	F	MOM ON	NONE	OFF												
MS-24658-27	ITLI-7	E, L, N	MOM ON	OFF	MOM ON	15	75	.5	15	6	4	2	10	7			
MS-24658-26	ITLI-8	F	MOM ON	NONE	ON	(REFER TO L192 FOR UL RATING)											
MS-24658-32	ITLI-5I	E	NONE	ON	MOM ON												
MS-24658-28	ITLI-6I	E	MOM ON	OFF	NONE												

"A"	"B"	"D"	"E"	"F"
LOCKED IN THREE POSITIONS	LOCKED IN CENTER AND EXTREME POSITION (KEYWAY SIDE)	LOCKED OUT OF CENTER POSITION	LOCKED IN CENTER POSITION	LOCKED IN EXTREME POSITION (OPPOSITE KEYWAY)
"G"	"H"	"J"	"K"	"L"
LOCKED IN EXTREME POSITION (KEYWAY SIDE)	LOCKED OUT OF CENTER AND EXTREME POSITION (KEYWAY SIDE)	LOCKED OUT OF CENTER AND EXTREME POSITION (OPPOSITE KEYWAY)	LOCKED IN CENTER AND EXTREME POSITION (OPPOSITE KEYWAY)	LOCKED OUT OF EXTREME POSITION (KEYWAY SIDE)
"M"	"N"	"P"		
LOCKED OUT OF AND INTO EXTREME POSITION (OPPOSITE KEYWAY)	LOCKED OUT OF EXTREME POSITION (OPPOSITE KEYWAY)	LOCKED OUT OF AND INTO EXTREME POSITION (KEYWAY SIDE)		



- NOTES
- SWITCHES ARE CAPABLE OF WITHSTANDING A TEMPERATURE OF 160°F CONTINUOUSLY AT FULL RATED LOAD
 - CIRCUIT DESIGNATION, MICRO SWITCH CATALOG LISTING AND MS NUMBER MARKED ON SIDE OF SWITCH
 - FURNISHED UNASSEMBLED
 - FOR TERMINAL COVER, SEE MICRO SWITCH CATALOG LISTING 5PA7
 - KEYWAY SHOWN ON LEFT SIDE
 - SUFFIX LETTER MUST BE ADDED FOR DESIRED TYPE OF TOGGLE LOCKING. SEE CHART FOR AVAILABLE LOCKING COMBINATIONS
 - APPLIES ONLY TO "ON" AND "MOMENTARY ON" POSITIONS
 - THESE SWITCHES ARE QUALIFIED UNDER MIL-S-3950
 - FROM BOTTOM OF KEYWAY TO MAJOR DIA. OF 15/32 THREAD

CATALOG LISTING 1TL1 SERIES CHART 2
 PAGE 1 OF 1
 ISSUE 31
 REVISIONS
 A C077942 J A F 28 JUN 94
 B C095061 D L T 2 JUN 99
 C CO-94429 C S T 24 NOV 99
 D 204846 S A V 7 FEB 02
 FORMTEK DRAWN JAF 28 JUN 94 CHECK

THIRD ANGLE PROJECTION

SCALE FULL

DO NOT SCALE PRINT

TOLERANCES
APPLY TO DESIGN UNITS CONVERSIONS ARE ONLY FOR REFERENCE UNLESS NOTED TOLERANCES ARE ±

DIM	TOL	DIM	TOL
IN	mm/in	IN	mm/in
NO PLACES	F	1/64	0.0125
ONE PLACE	F X	0.0156	0.0156
TWO PLACES	F X X	0.00156	0.00156
THREE PLACES	F X X X	0.000156	0.000156
ANGLES			

DESIGN UNITS SI METRIC US CUSTOMARY

RAW MATERIAL - COMMERCIAL STANDARD MICRO SWITCH STANDARDS APPLY

DIMENSIONS ARE TO BE MET BEFORE PROTECTIVE COATINGS ARE APPLIED

WEIGHT .08 LBS. APPROX

15A-125,250 OR 277VAC 1/2HP-125VAC; 1HP-250, 277VAC 5A-125VAC "L" CODE L191	10A-125,250 OR 277VAC 1/4HP-125VAC; 1/2HP-250, 277VAC 3A-125VAC "L" CODE L192
---	---