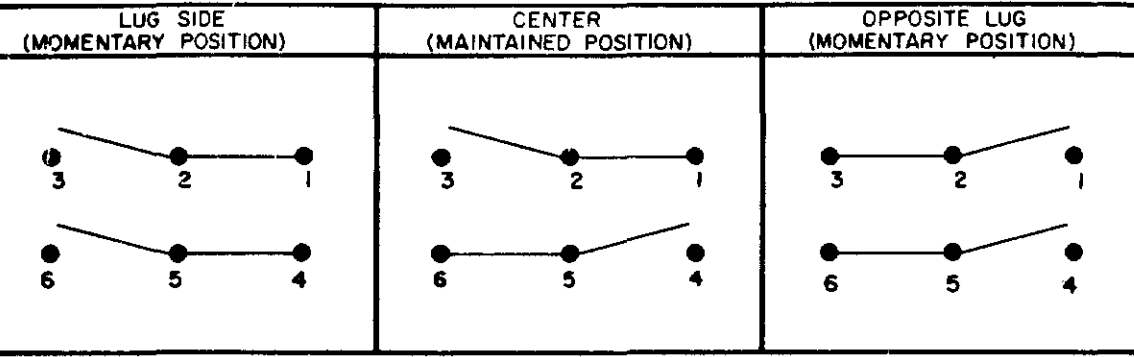


H MICRO SWITCH
 FREEPORT, ILLINOIS, U.S.A.
 A DIVISION OF HONEYWELL
 FED MFG CODE 91929

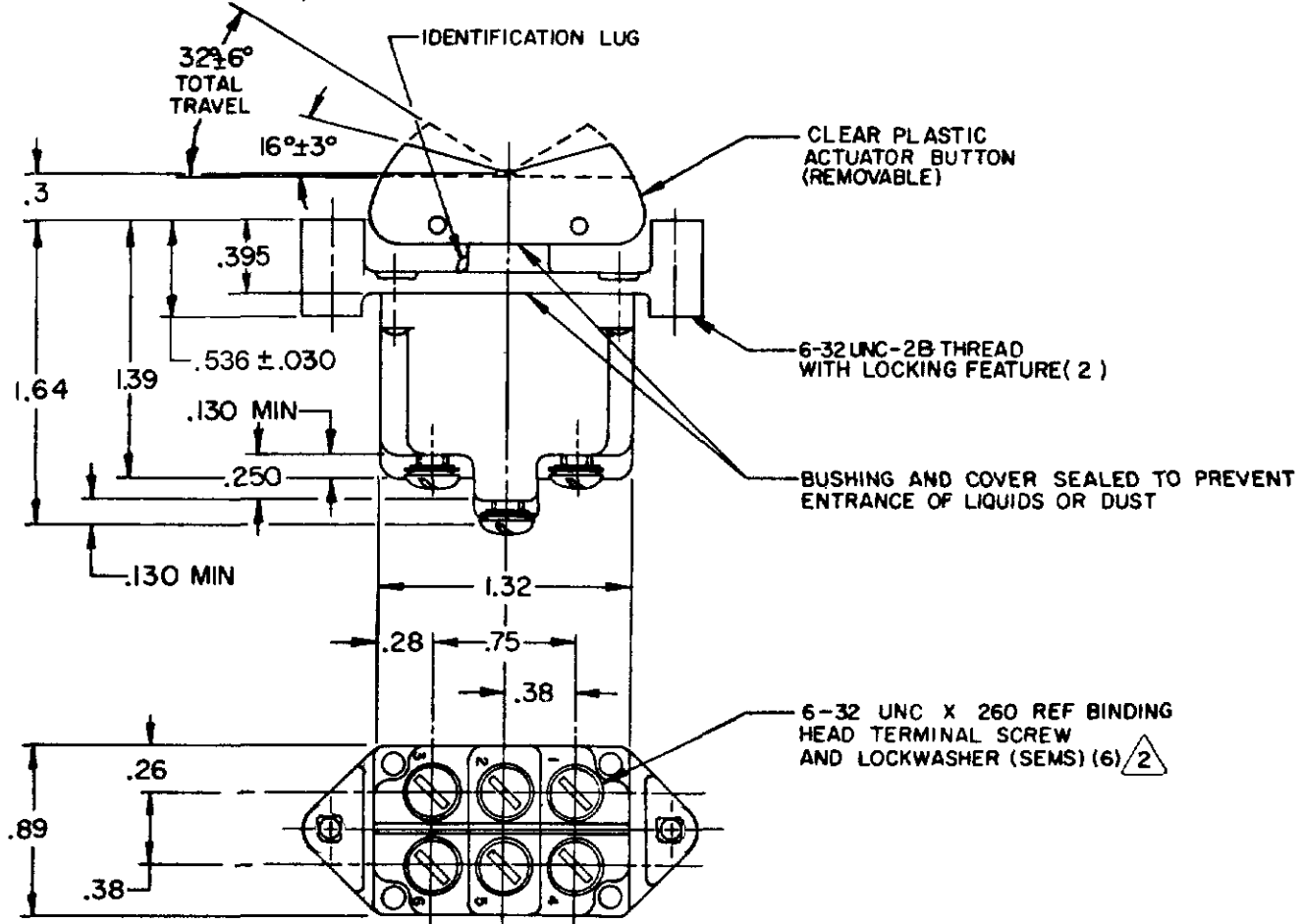
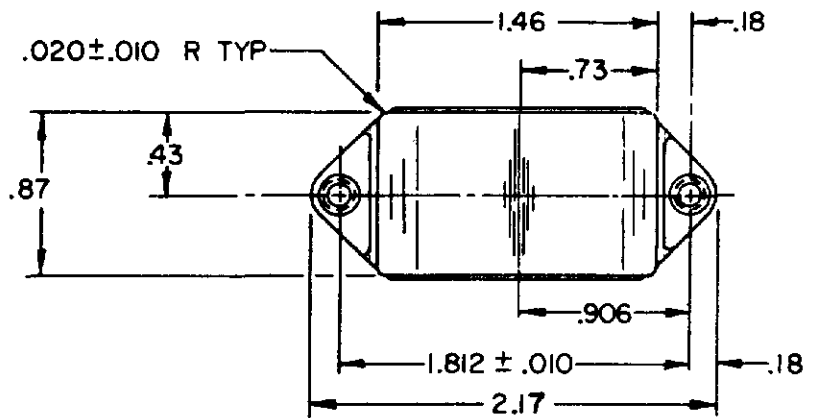
**SWITCH-TOGGLE
 FLUSH KEY**

CATALOG LISTING
2TP12-70

CIRCUIT DIAGRAM



L192 10A 125, 250, 277 VAC
 1/4HP 125 VAC,
 1/2HP 250, 277 VAC
 3A 125 VAC "L"



- NOTES**
- 1 - MICRO SWITCH CATALOG LISTING MARKED ON SIDE OF SWITCH
 - 2 - SCREWS FURNISHED UNASSEMBLED

DRAWING NUMBER 2TP12-70
 PAGE 1 OF 1
 ISSUE 14
 REVISIONS
 A CO-94413 8 OCT 99
 B 202714 3 APR 01
 CHECK 73
 21 AUG 73
 17 AUG 73
 RASTER
 FO-80378-003
 DRAWN
 GLH

THIS DRAWING COVERS A PROPRIETARY ITEM AND IS THE PROPERTY OF MICRO SWITCH A DIVISION OF MINNEAPOLIS-HONEYWELL REGULATOR CO THIS DRAWING IS NOT TO BE COPIED OR USED WITHOUT THE APPROVAL OF MICRO SWITCH.

ELECTRICAL DATA										SCALE FULL	
MILITARY RATING (AMPS)										DO NOT SCALE PRINT	
CONTINUOUS	RESISTIVE LOAD				LAMP LOAD		INDUCTIVE LOAD		UNLESS OTHERWISE NOTED		
	DC VOLTS		AC VOLTS		30 VDC	115 VAC	30 VDC	115 VAC	DIMENSIONS ARE IN INCHES		
	30	115	250	115	250					TOLERANCES ARE:	
										ONE PLACE (0) ± .030	
										TWO PLACE (00) ± .015	
										THREE PLACE (000) ± .005	
										ANGLES ±	
										WEIGHT	