

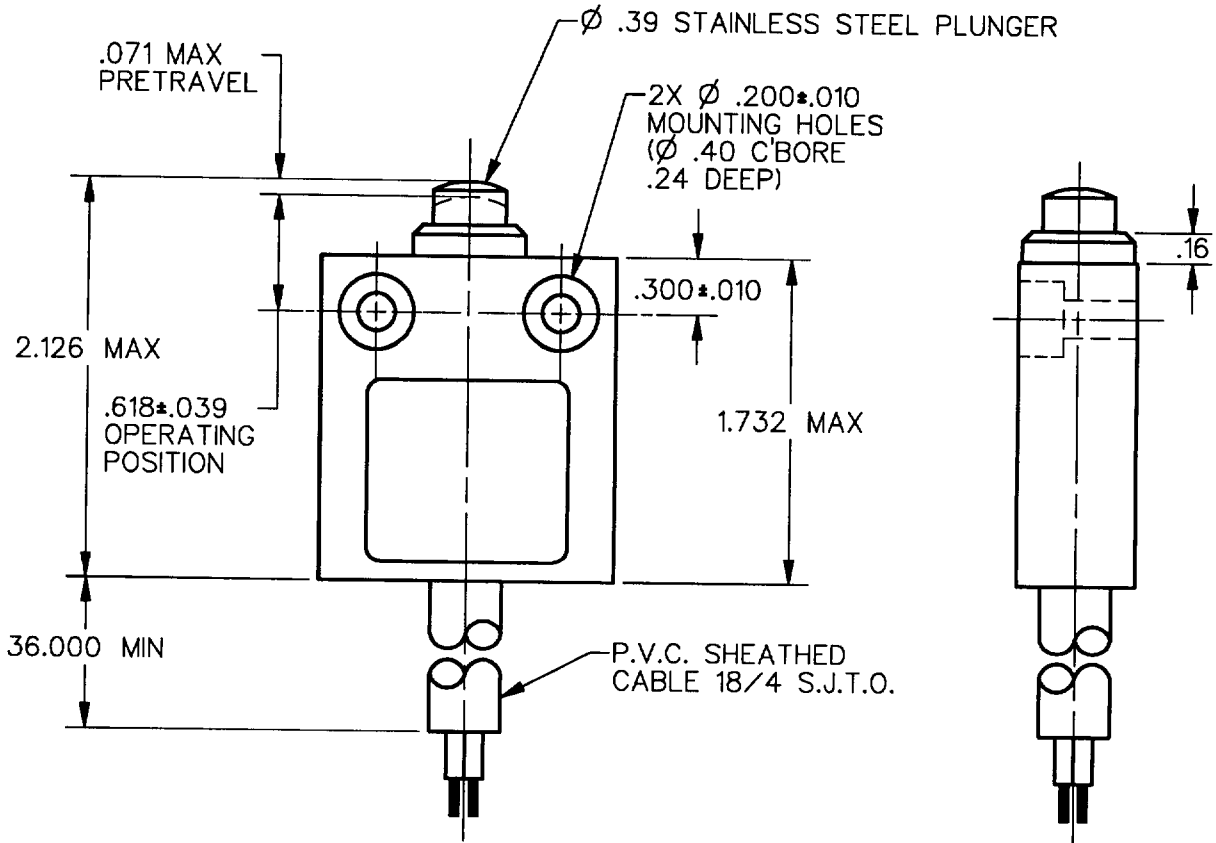
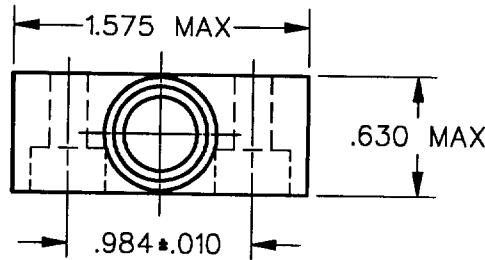
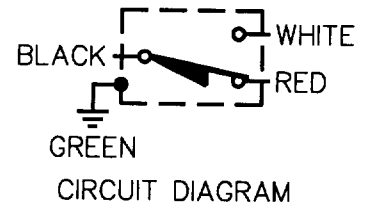
MICRO SWITCH
a Honeywell Division

FED. MFG. CODE 91929

**MINIATURE PRECISION
LIMIT SWITCH**

CATALOG LISTING

914CE1-3

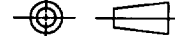


NOTES
1 - ZINC HOUSING FINISHED WITH GRAY PAINT

ANSI Y14.5M-1982 APPLIES

THIS DRAWING COVERS A PROPRIETARY ITEM AND IS THE PROPERTY OF MICRO SWITCH, A DIVISION OF HONEYWELL. THIS DRAWING IS NOT TO BE COPIED OR USED WITHOUT THE APPROVAL OF MICRO SWITCH.

THIRD ANGLE PROJECTION



CHARACTERISTICS	
OPERATING FORCE	2.7 LB MAX
RELEASE FORCE	1.0 LB MIN
DIFFERENTIAL TRAVEL	.004 MAX
OVERTRAVEL	.118 MIN

ELECTRICAL DATA

CONTACT ARRANGEMENT
S P D T

5A - 250 VAC
1/10HP - 125 OR 250 VAC



SCALE	FULL	DO NOT SCALE PRINT
UNLESS OTHERWISE SPECIFIED TOLERANCES ARE		
ONE PLACE	(.0)	±.030
TWO PLACE	(.00)	±.015
THREE PLACE	(.000)	±.005
ANGLES		±

WEIGHT

914CE1-3

M

DRAWING NUMBER

7

ISSUE

RELEASE NO. PR-1444-T REPLACES

CHECK

REVISIONS

A	CO-69061
S	AV
29	AUG 91

CHECK

14 NOV 91

DDM/CAD

DRAWN

S A V 29 AUG 91 CHECK DRAWN