

MICRO SWITCH
 FREEPORT, ILLINOIS, U.S.A.
 A DIVISION OF HONEYWELL
 FED. MFG. CODE 91929

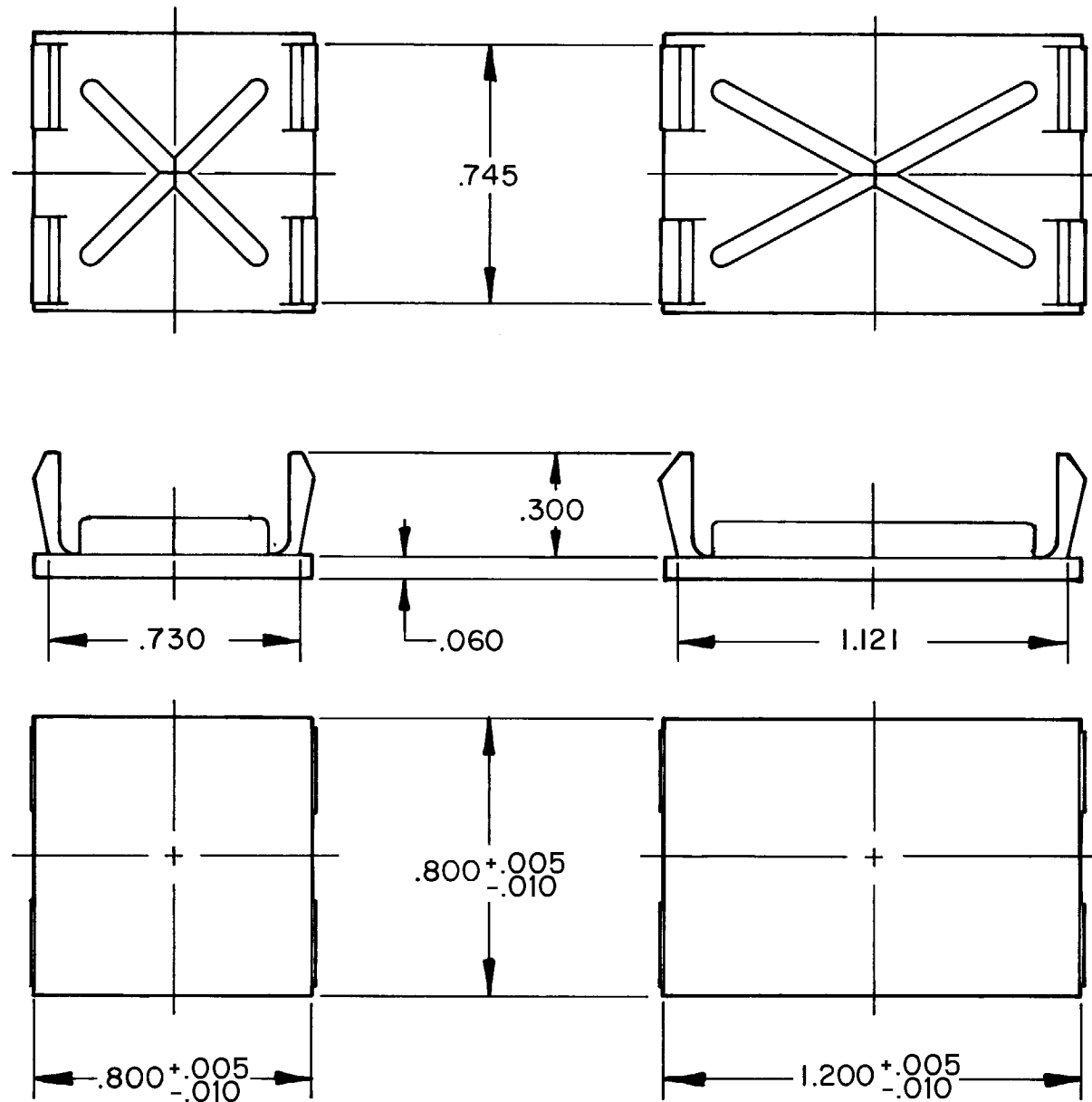
PANEL-PLUG

CATALOG LISTING
AML78 SERIES
CHART 1

THIS DRAWING COVERS A PROPRIETARY ITEM AND IS THE PROPERTY OF MICRO SWITCH, A DIVISION OF HONEYWELL. THIS DRAWING IS NOT TO BE COPIED OR USED WITHOUT THE APPROVAL OF MICRO SWITCH.

CATALOG LISTING	TYPE	REMARKS
AML78CB	SQUARE	
AML78FB	RECTANGULAR	

AML78 SERIES CHART 1 PAGE 1 OF 1
 M DRAWING NUMBER
 ISSUE 4
 RELEASE NO. PR-8764 REPLACES
 CHECK
 REVISIONS
 A CD47946 DCS 21 JUN 80
 B C048473 GJW 13 OCT 80
 C 201064 DLT 17 AUG 00
 CHECK
 22 MAY 80
 CHECK
 CEB
 CHECK
 21 MAY 80
 DRAWN
 GLH
 FORMTEK FO-52854-C
 DRAWN



NOTE
 1 ALL ABOVE PANEL SURFACES
 MATTE FINISH

SQUARE

RECTANGULAR

THIRD ANGLE PROJECTION

SCALE 2:1

DO NOT SCALE PRINT

TOLERANCES
 APPLY TO DESIGN UNITS. CONVERSIONS ARE ONLY FOR REFERENCE. UNLESS NOTED, TOLERANCES ARE ±

DIM.	TOL.		DIM.	TOL.	
	mm	mm/in		in	mm/in
NO PLACES	X	17.04	X	0.675	0.013
ONE PLACE	X,X	0.41/0.18	X,X	0.38/0.15	0.005
TWO PLACES	X,XX	0.15/0.06	X,XX	0.13/0.05	0.005
THREE PLACES	X,XXX		X,XXX		

DESIGN UNITS SI METRIC US CUSTOMARY

WEIGHT