

MICRO SWITCH

A DIVISION OF MINNEAPOLIS-HONEYWELL REGULATOR COMPANY
 RESPONSE, MADISON
 FED. MFR. CODE 91929

SWITCH - BASIC

CATALOG LISTING

BA-2R

(M) BA-2R
 ISSUE 4

BA-2R
 PAGE 1 OF 1

M

DRAWING NUMBER

10

ISSUE

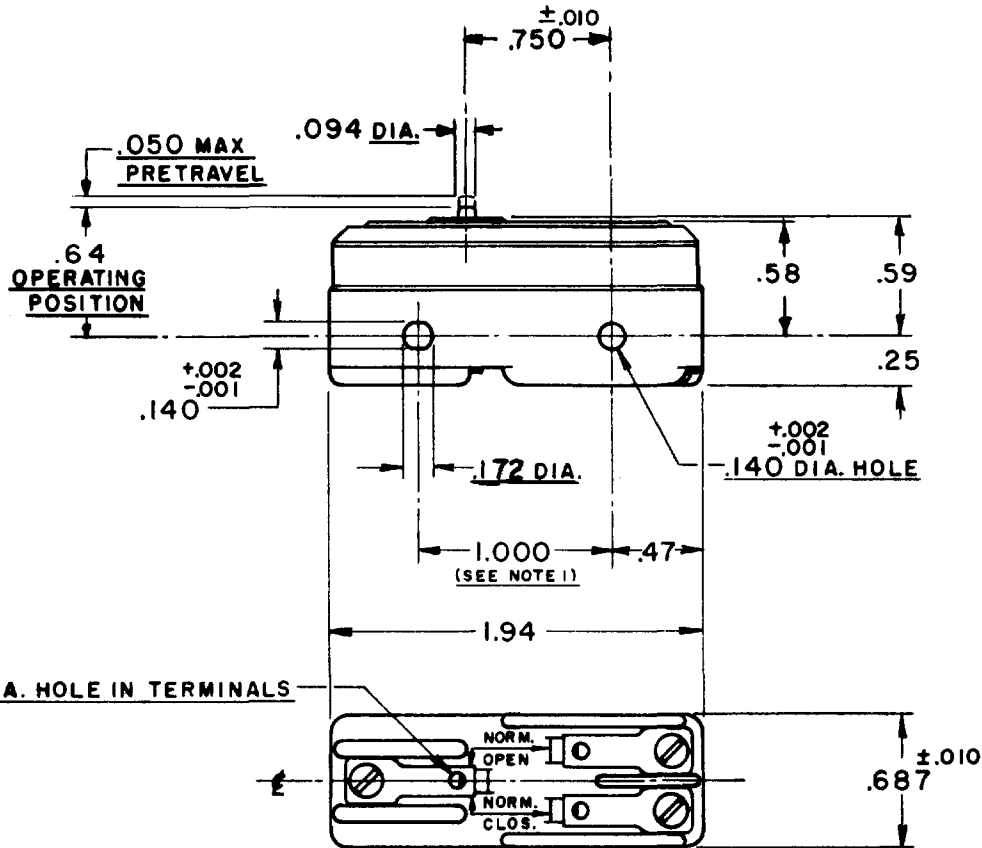
REPLACES

RELEASE NO.

CHECK

REVISIONS

A	C.O. 9600	20 MARCH 56
B	K.A.F.	21 AUG. 58
C	O.N.W.	21 AUG. 58
D	CO-77590	9 JUN 94
E	CO-92159	21 JAN 98
F	CO-94212-C	20 SEP 99



NOTE

1- MOUNTING HOLES WILL ACCEPT PINS OR SCREWS OF .139 MAX. DIA. ON 1.000^{±.002} CENTERS.

THIS DRAWING COVERS A PROPRIETARY ITEM AND IS THE PROPERTY OF MICRO SWITCH, A DIVISION OF HONEYWELL. THIS DRAWING IS NOT TO BE COPIED OR USED WITHOUT THE APPROVAL OF MICRO SWITCH.

CHARACTERISTICS

OPERATING FORCE ----- 14 - 22 OZ.
 RELEASE FORCE ----- 10 OZ. MIN.
 DIFFERENTIAL TRAVEL ----- .002 - .0075
 OVERTRAVEL ----- .010 MIN.

ELECTRICAL DATA

CONTACT ARRANGEMENT	BREAK DISTANCE
S.P.D.T.	020 MIN.
L23	20A 125, 250 OR 480 VAC 10A 125 VAC "L"
L288	1HP 125 VAC, 2HP 250 VAC
L299	1/2A 125 VDC, 1/4A 250 VDC
L308	20(3)A 250V T85 5E4

SCALE - FULL

DO NOT SCALE PRINT
 UNLESS OTHERWISE SPECIFIED
 DIMENSIONS ARE IN INCHES
TOLERANCES ARE:
 ONE PLACE (.0) ±.030
 TWO PLACE (.00) ±.015
 THREE PLACE (.000) ±.005
 ANGLES ±
 WEIGHT 050 LB.

FORMTEK
 DRAWN

CHECK
 K.A.F. 20 MARCH 56