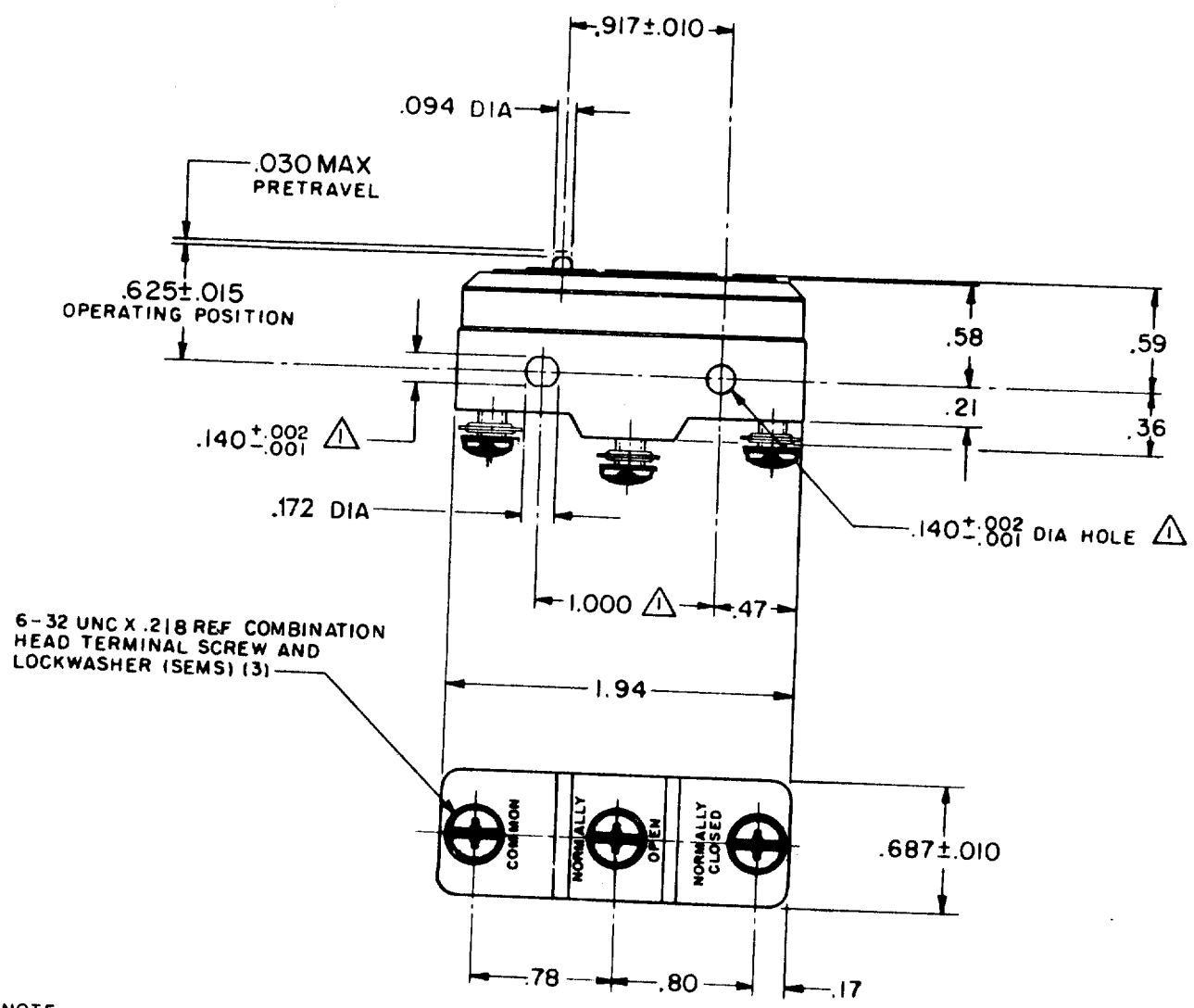


BZ-R31  
 M  
 DRAWING NUMBER  
 ISSUE  
 10M  
 12/18/64  
 REVISIONS  
 A CO 15200  
 H B W  
 3 FEB 64  
 B CO 19782  
 M B F  
 30 DEC 64  
 C CO 20409  
 O M W  
 30 JUL 65  
 D CO 20463  
 W E G  
 11-AUG 68  
 E CO  
 48767  
 Y M M  
 7 JAN 81  
 F CO  
 69351C  
 J W P  
 16 JUL 91  
 G CO-  
 77589  
 K D R  
 29 MAR 94  
 CHECK  
 L S D  
 14 FEB 64  
 3 FEB 64  
 H B W  
 FO-50378  
 DRAWN  
 CHECK  
 REPLACES  
 RELEASE NO.



NOTE -  
 ▲ - MOUNTING HOLES WILL ACCEPT PINS OR SCREWS OF  $.139$  MAX DIA ON  $1.000 \pm .002$  CENTERS

THIS DRAWING COVERS A PROPRIETARY ITEM AND IS THE PROPERTY OF MICRO SWITCH, A DIVISION OF MINNEAPOLIS-HONEYWELL REGULATOR CO. THIS DRAWING IS NOT TO BE COPIED OR USED WITHOUT THE APPROVAL OF MICRO SWITCH.

CHARACTERISTICS	
OPERATING FORCE	22-28 OZ
RELEASE FORCE	4 OZ MIN
DIFFERENTIAL TRAVEL	.0025-.0050
OVERTRAVEL	.005 MIN

ELECTRICAL DATA	
CONTACT ARRANGEMENT S P D T	
UNDERWRITERS' LAB. INC. LISTED RATING	
⑧ -L96-	15 A-125, 250, OR 480 VAC
	1/2 A-125 VDC; 1/4 A-250 VDC
	1/8 HP-125 VAC; 1/4 HP-250 VAC

SCALE FULL		
DO NOT SCALE PRINT		
UNLESS OTHERWISE NOTED		
DIMENSIONS ARE IN INCHES		
TOLERANCES ARE:		
ONE PLACE	(.0)	$\pm .030$
TWO PLACE	(.00)	$\pm .015$
THREE PLACE	(.000)	$\pm .005$
ANGLES		$\pm$
WEIGHT .060 LB		