



MICRO SWITCH

FREEPORT, ILLINOIS, U.S.A
A DIVISION OF HONEYWELL

FED. MFG. CODE 91929

SWITCH - BASIC

CATALOG LISTING

BZ-2R708-P7

BZ-2R708-P7
PAGE 1 OF 1

M

DRAWING NUMBER

8

ISSUE

REPLACES

RELEASE NO.

CHECK

REVISIONS	
A	CO17410 8 C H 19 JUN 63
B	CO18869 J P H 6 FEB 64
C	CO-75367B S A V 3 MAR 94
D	CO81374 G J W 6 NOV 95
E	CO-77863 G J W 8 MAY 96
F	CO93346 DLT 4 SEP 98

CHECK

27-JUN-63

L.S.D.

CHECK

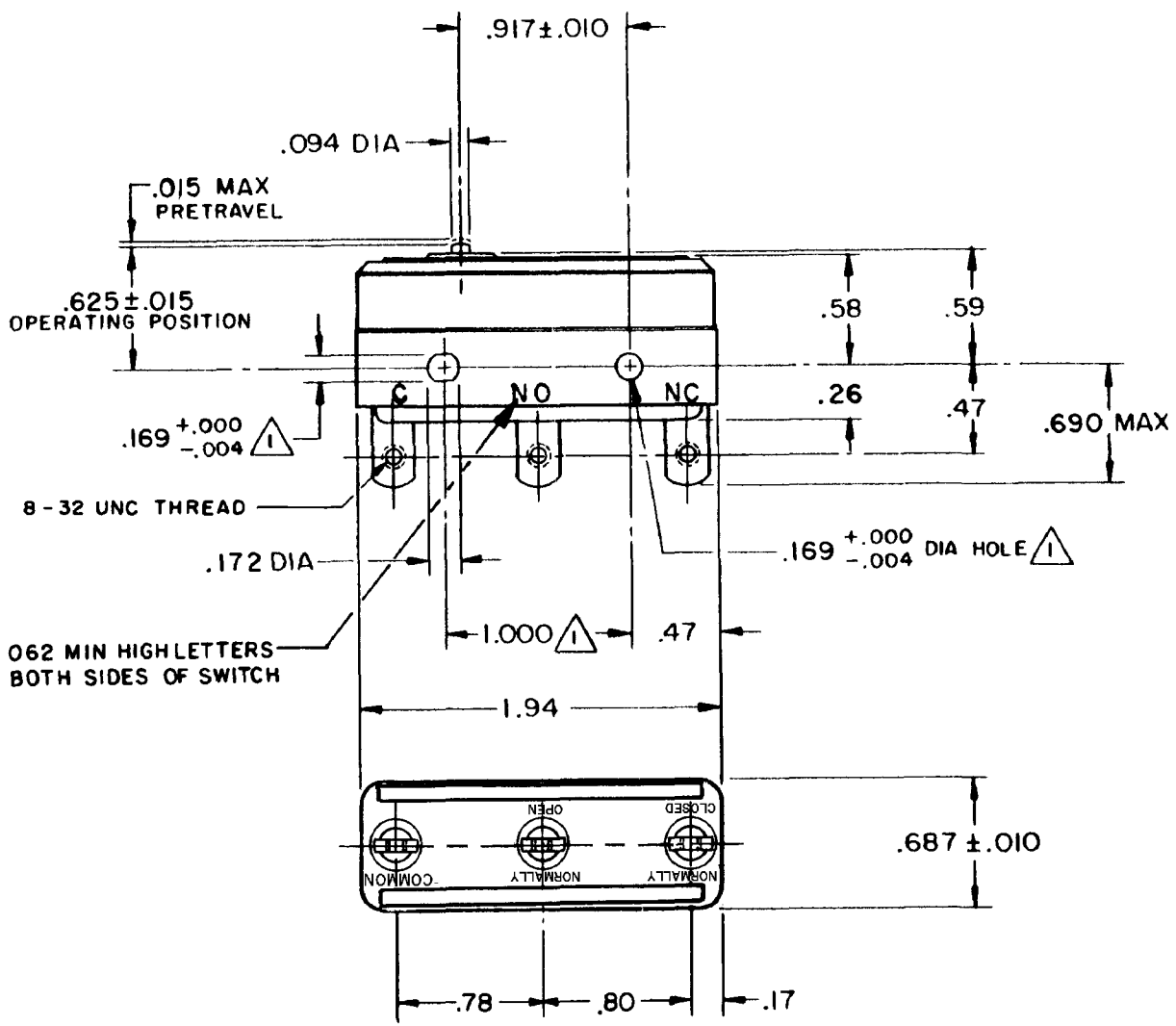
19 JUNE 63

CHECK

19 JUNE 63

CHECK

19 JUNE 63



NOTE
 ⚠ MOUNTING HOLES WILL ACCEPT PINS OR SCREWS OF .165 MAX DIA ON 1.000 ± .002 CENTERS

THIS DRAWING COVERS A PROPRIETARY ITEM AND IS THE PROPERTY OF MICRO SWITCH, A DIVISION OF MINNEAPOLIS-HONEYWELL REGULATOR CO. THIS DRAWING IS NOT TO BE COPIED OR USED WITHOUT THE APPROVAL OF MICRO SWITCH.

CHARACTERISTICS	ELECTRICAL DATA	SCALE FULL
OPERATING FORCE ----- 9 - 13 OZ	CONTACT ARRANGEMENT S P D T	DO NOT SCALE PRINT
RELEASE FORCE ----- 4 OZ MIN	UNDERWRITERS' LAB. INC. LISTED RATING -L96- 15 A - 125, 250, OR 480 VAC 1/2 A - 125 VDC; 1/4 A - 250 VDC 1/8 HP - 125 VAC, 1/4 HP - 250 VAC	UNLESS OTHERWISE NOTED DIMENSIONS ARE IN INCHES TOLERANCES ARE:
DIFFERENTIAL TRAVEL ----- .0004 - .0020	-L288- CE D S -L299- 16A 250V ~ T85 5E4 -L306-	ONE PLACE (.0) ± .030 TWO PLACE (.00) ± .015 THREE PLACE (.000) ± .005 ANGLES ±
OVERTRAVEL ----- .005 MIN		WEIGHT .075 LB

FORMTEK
FO-50378

DRAWN
G C H 19 JUNE 63