



MICRO SWITCH

FREEPORT, ILLINOIS, U.S.A.
A DIVISION OF HONEYWELL

FED. MFG. CODE 91929

SWITCH - BASIC

CATALOG LISTING

BZ-2RD

DRAWING NUMBER
BZ-2RD
PAGE 1 OF 1

ISSUE
M

16

REVISIONS

A	CO17410	8 CH	9 SEP 63
B	CO31863	S R H	27 MAR 73
C	CO46304	R J H	21 NOV 79
D	CO58037	SMA	1 OCT 85
E	CO78874	DLT	17 NOV 94
F	CO93346	DLT	1 SEP 98
G	CO94212-J	J J A	4 OCT 99

REPLACES

RELEASE NO.

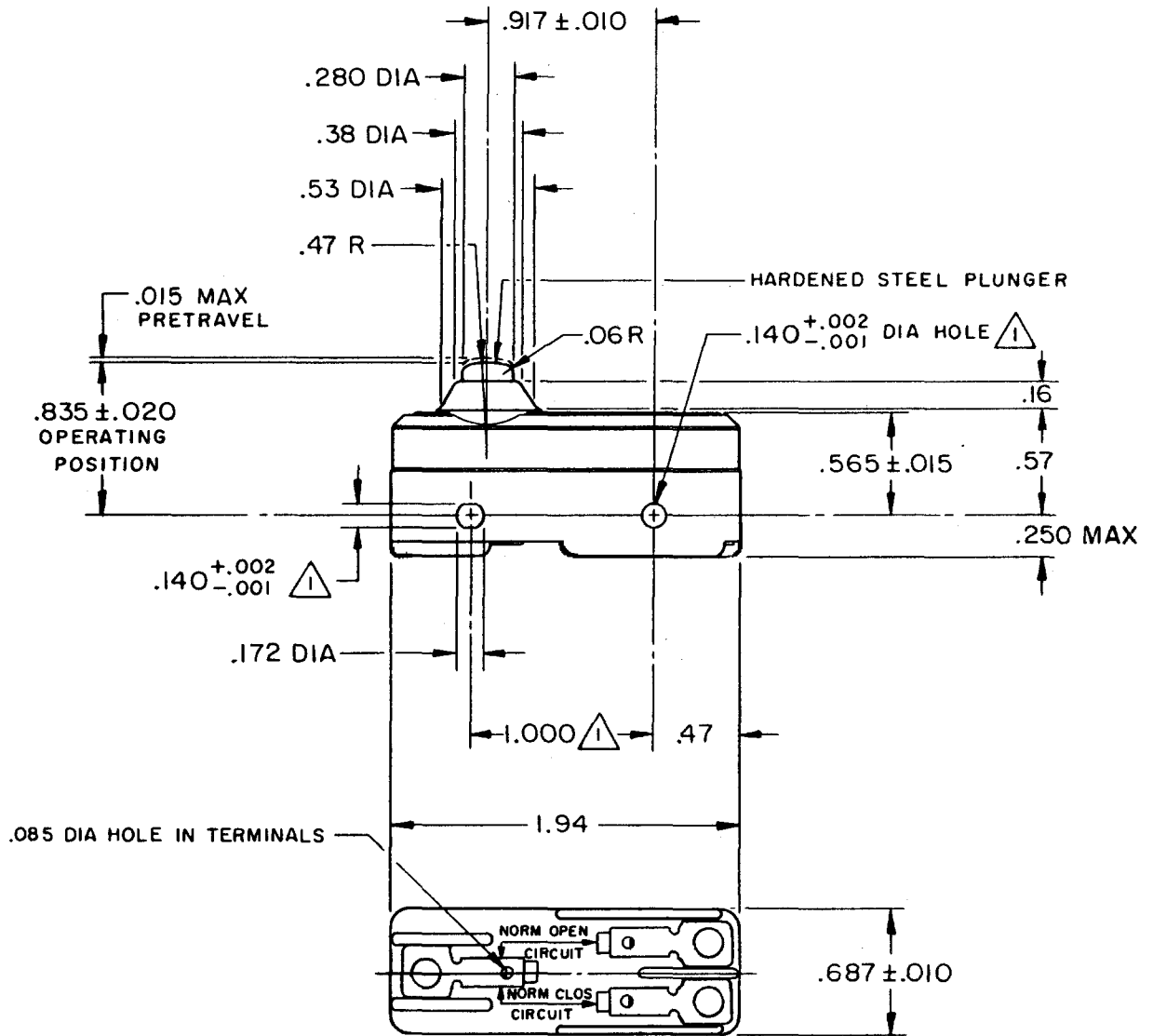
CHECK

CHECK

30 SEPT 63

DRAWN

9 SEP 63



NOTE
 MOUNTING HOLES WILL ACCEPT PINS OR SCREWS OF .139 MAX DIA ON 1.000 ± .002 CENTERS

THIS DRAWING COVERS A PROPRIETARY ITEM AND IS THE PROPERTY OF MICRO SWITCH, A DIVISION OF MINNEAPOLIS-HONEYWELL REGULATOR CO. THIS DRAWING IS NOT TO BE COPIED OR USED WITHOUT THE APPROVAL OF MICRO SWITCH.

CHARACTERISTICS	ELECTRICAL DATA	SCALE FULL
OPERATING FORCE ----- 9 - 13 OZ	CONTACT ARRANGEMENT S P D T	DO NOT SCALE PRINT
RELEASE FORCE ----- 4 OZ MIN	UNDERWRITERS' LAB. INC. LISTED RATING 15A - 125, 250 OR 480 VAC, 2A - 600 VAC	UNLESS OTHERWISE NOTED DIMENSIONS ARE IN INCHES
DIFFERENTIAL TRAVEL ----- .0004 - .0020	-L74- 1/8HP - 125 VAC; 1/4HP - 250 VAC 1/2A - 125 VDC; 1/4A - 250 VDC	TOLERANCES ARE:
OVERTRAVEL ----- .060 MIN	-L288- -L299- -L306- 16A 250V ~ T85 5E4	ONE PLACE (.0) ± .030 TWO PLACE (.00) ± .015 THREE PLACE (.000) ± .005 ANGLES ±
		WEIGHT .051 LB

FORMTEK
FO-50376

DRAWN