

MICRO SWITCH

FREERPORT ILLINOIS, U.S.A.
A DIVISION OF HONEYWELL

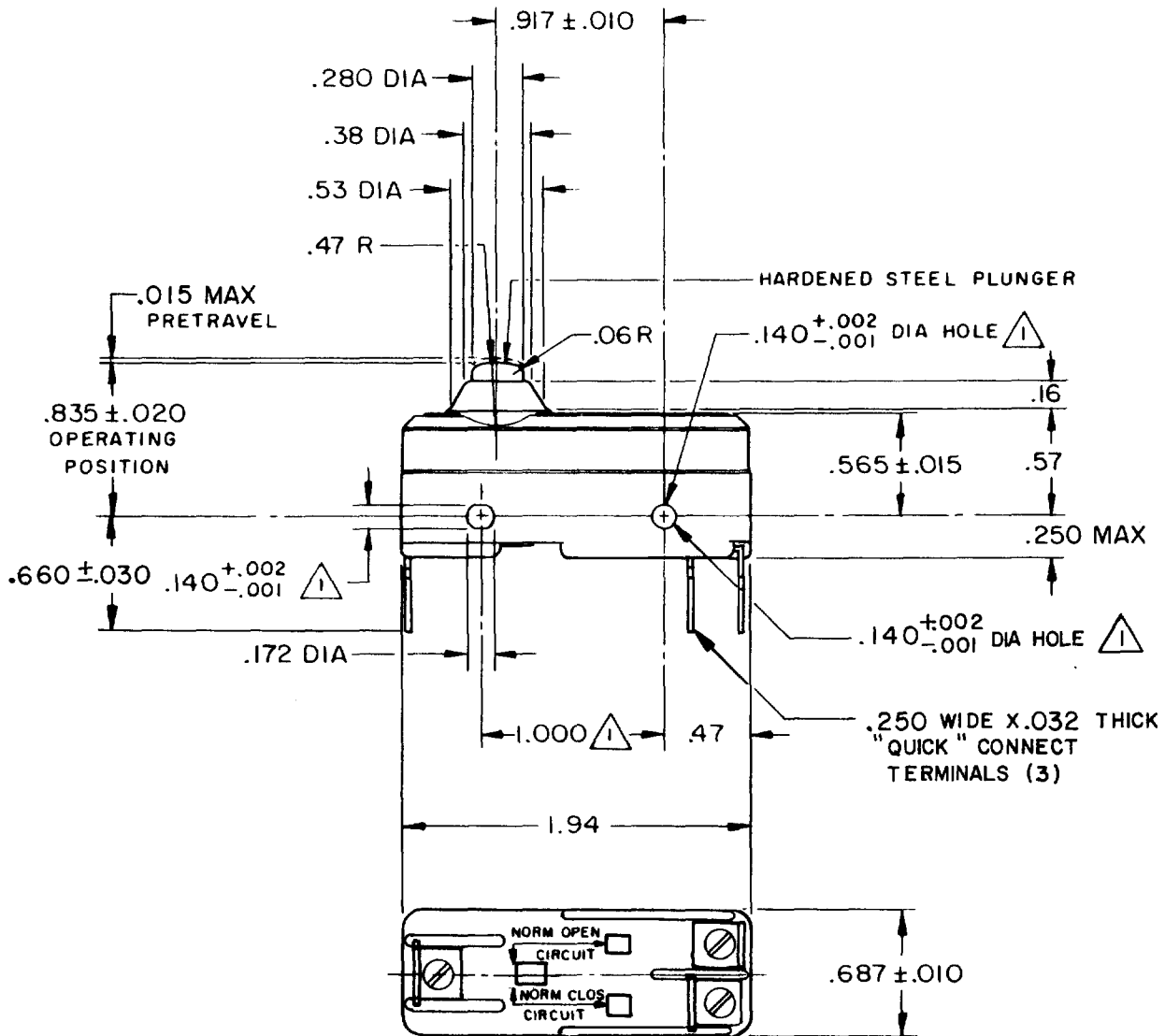
FED. MFG. CODE D1929

SWITCH - BASIC

CATALOG LISTING

BZ-2RD-D5

M BZ-2RD-D5
 DRAWING NUMBER
 ISSUE X8
 REVISIONS
 A PR-35 99
 BEN 3 OCT 73
 B CO 38037
 SMA 1 OCT 85
 C CO-77591
 DAW 22 JUN 94
 D CO93346
 DLT 8 SEP 98
 E CO-94212-C
 DLT 14 SEP 99
 FORMTEK
 FO-52848
 DRAWN
 BEN 3 OCT 73
 CHECKED
 DAW 11 OCT 73
 CHECKED
 DAW 11 OCT 73
 RELEASE NO. PR-3599
 REPLACES
 PAGE 1 OF 1



NOTE
 ⚠ MOUNTING HOLES WILL ACCEPT PINS OR SCREWS OF .139 MAX DIA ON 1.000 ± .002 CENTERS

THIS DRAWING COVERS A PROPRIETARY ITEM AND IS THE PROPERTY OF MICRO SWITCH, A DIVISION OF HONEYWELL. THIS DRAWING IS NOT TO BE COPIED OR USED WITHOUT THE APPROVAL OF MICRO SWITCH.

CHARACTERISTICS	ELECTRICAL DATA	SCALE FULL
OPERATING FORCE ----- 9-13 OZ	CONTACT ARRANGEMENT S P D T	DO NOT SCALE PRINT
RELEASE FORCE ----- 4 OZ MIN	UNDERWRITERS' LAB. INC. LISTED RATING 15A-125, 250 OR 480 VAC -L96- 1/8HP-125 VAC; 1/4HP-250 VAC 1/2A-125 VDC; 1/4A-250 VDC	UNLESS OTHERWISE NOTED DIMENSIONS ARE IN INCHES TOLERANCES ARE
DIFFERENTIAL TRAVEL --- .0004 - .0020	-L288- -L299- -L306-	ONE PLACE (.01) ± .030 TWO PLACE (.00) ± .015 THREE PLACE (.000) ± .005 ANGLES ±
OVERTRAVEL ----- .060 MIN	CE Ⓣ Ⓢ 16A 250V ~ T85 5E4	WEIGHT .051 LB