

MICRO SWITCH

FREEMONT ILLINOIS, U.S.A.
A DIVISION OF HONEYWELL

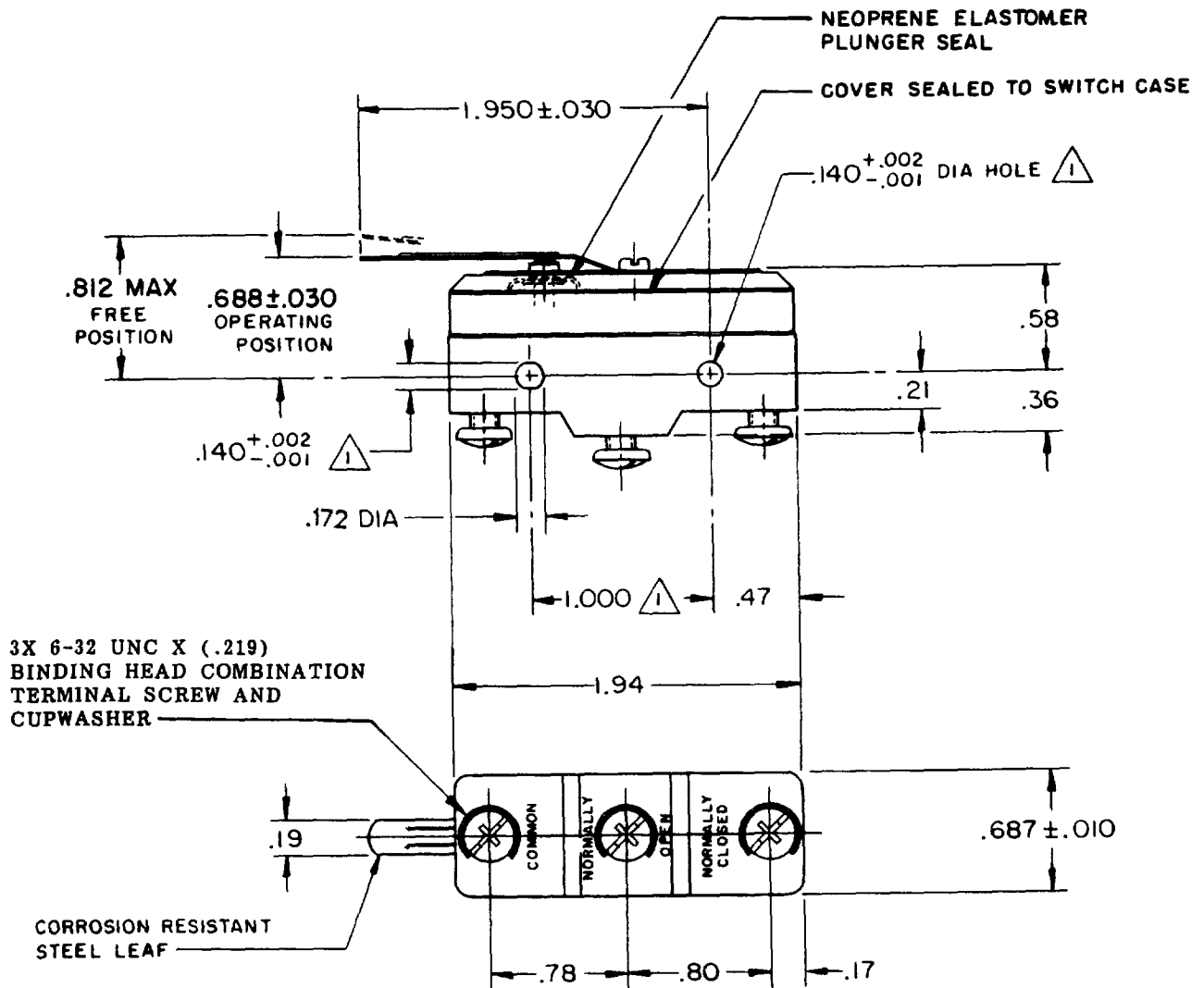
FED. MFG. CODE 91929

SWITCH-BASIC

CATALOG LISTING

BZ-2RL5551-A2

BZ-2RL5551-A2
 PAGE 1 OF 1
M
 DRAWING NUMBER
5
 ISSUE
 REVISIONS
 A C067209 JAP MAY 90
 B CO-73287-J JAL NOV 93
 C CO-77589 KDR MAR 94
 D C093346 DLT 9 SEP 98
 GCH 27 DEC 69
 FORMTEK
 0-50378-1A
 DRAWN
 CHECK
 DAW
 16, JAN 70
 CHECK
 CNT
 16, JAN 70
 CHECK
 PR-1019
 REPLACES



NOTES
 1 MOUNTING HOLES WILL ACCEPT PINS OR SCREWS OF .139 MAX DIA ON 1.000 ± .002 CENTERS
 2 - SEALED CONSTRUCTION PROVIDES SPLASH RESISTANCE

THIS DRAWING COVERS A PROPRIETARY ITEM AND IS THE PROPERTY OF MICRO SWITCH, A DIVISION OF HONEYWELL. THIS DRAWING IS NOT TO BE COPIED OR USED WITHOUT THE APPROVAL OF MICRO SWITCH.

CHARACTERISTICS	ELECTRICAL DATA	SCALE FULL
OPERATING FORCE ----- 7 OZ MAX	CONTACT ARRANGEMENT S P D T	DO NOT SCALE PRINT
RELEASE FORCE ----- 1/2 OZ MIN	L96 15A 125, <u>250</u> OR 480 VAC 1/8 HP 125 VAC, 1/4 HP <u>250</u> VAC 1/2A 125 VDC, 1/4A <u>250</u> VDC L288 L299 L306 CE Ⓟ RUL 16A 250V ~ T85 5E4	UNLESS OTHERWISE NOTED
DIFFERENTIAL TRAVEL ----- .050 MAX		TOLERANCES ARE:
DO NOT OVERTRAVEL MORE THAN --- .060		ONE PLACE (.01) ± .030 TWO PLACE (.001) ± .015 THREE PLACE (.000) ± .005 ANGLES ±
		WEIGHT .063 LB