



# MICRO SWITCH

FREEPORT, ILLINOIS, U.S.A.  
A DIVISION OF HONEYWELL

FED. MFG. CODE 91929

# SWITCH - BASIC

CATALOG LISTING  
**BZ-2RQ18**

DRAWING NUMBER  
**BZ-2RQ18**  
PAGE 1 OF 1

ISSUE  
**M**  
9

REVISIONS	
A	CO17410 G C H 12 APRIL 63
B	CO46304 J A P 13 OCT 79
C	CO 58037 SMA 1 OCT 85
D	CO78874 DLT 18 NOV 94
E	CO-82133 CSL 2 AUG 96
F	CO93346 DLT 10 SEP 98
G	CO- 94212-J J J A 5 OCT 99

FORMTEK  
FO-80376

REPLACES

RELEASE NO.

CHECK

CHECK

CHECK

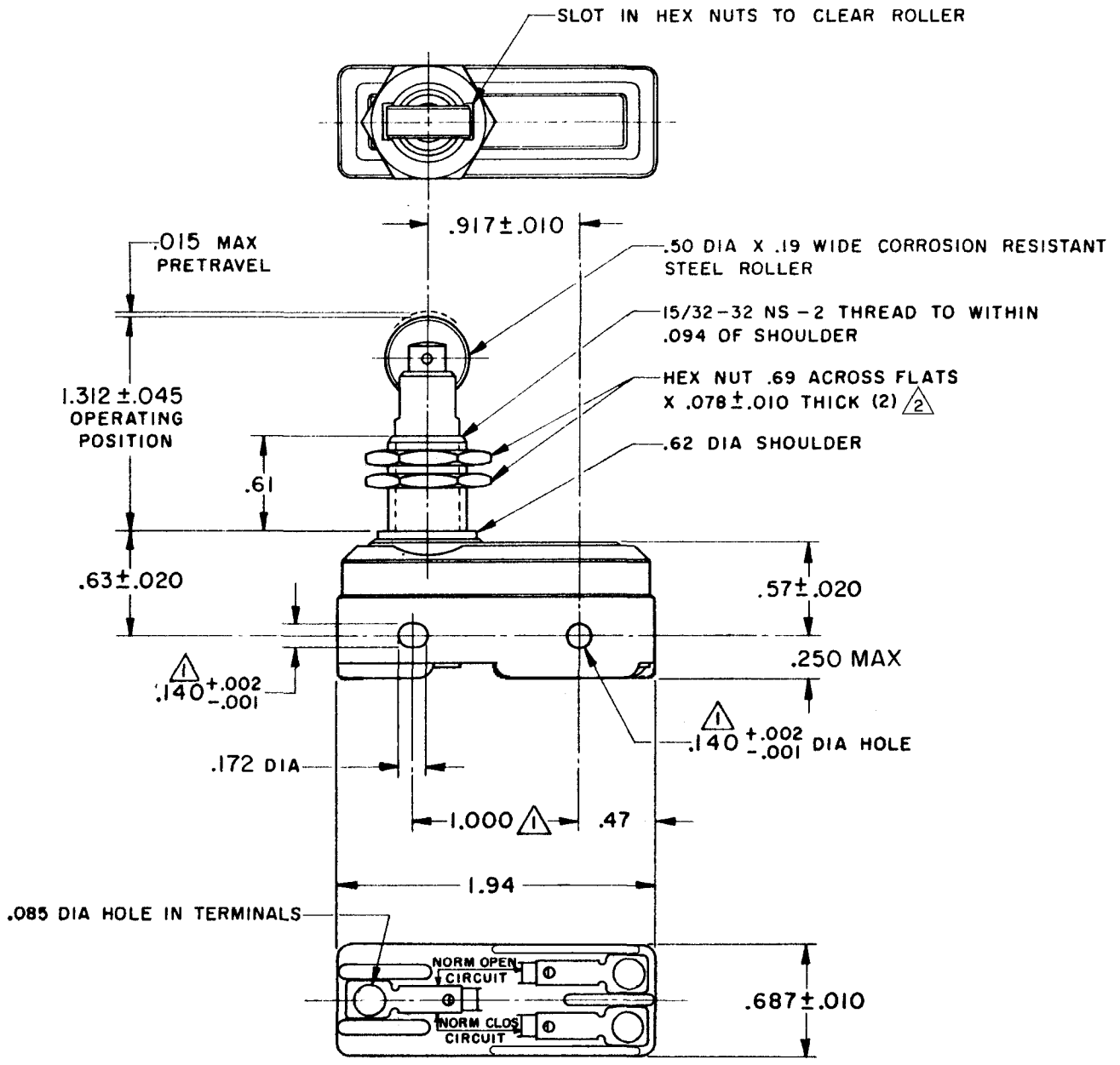
CHECK

CHECK

CHECK

CHECK

CHECK



- NOTES
- $\triangle 1$  MOUNTING HOLES WILL ACCEPT PINS OR SCREWS OF .139 MAX DIA ON 1.000 ± .002 CENTERS
  - $\triangle 2$  HARDWARE FURNISHED UNASSEMBLED

THIS DRAWING COVERS A PROPRIETARY ITEM AND IS THE PROPERTY OF MICRO SWITCH, A DIVISION OF MINNEAPOLIS-HONEYWELL REGULATOR CO. THIS DRAWING IS NOT TO BE COPIED OR USED WITHOUT THE APPROVAL OF MICRO SWITCH.

CHARACTERISTICS	ELECTRICAL DATA	SCALE FULL
OPERATING FORCE----- 9-13 OZ	CONTACT ARRANGEMENT S P D T	DO NOT SCALE PRINT
RELEASE FORCE----- 4 OZ MIN	UNDERWRITERS' LAB. INC. LISTED RATING	UNLESS OTHERWISE NOTED
DIFFERENTIAL TRAVEL----- .0004-.0020	-L96- 15 A-125, 250, OR 480 VAC	DIMENSIONS ARE IN INCHES
OVERTRAVEL----- .140 MIN	1/2 A-125 VDC; 1/4 A-250 VDC	<b>TOLERANCES ARE:</b>
	1/8 HP-125 VAC; 1/4 HP-250 VAC	ONE PLACE (.0) ± .030
	-L288-	TWO PLACE (.00) ± .015
	-L299-	THREE PLACE (.000) ± .005
	-L306-	ANGLES ±
	16A 250V  T85 5E4	WEIGHT .107 LB