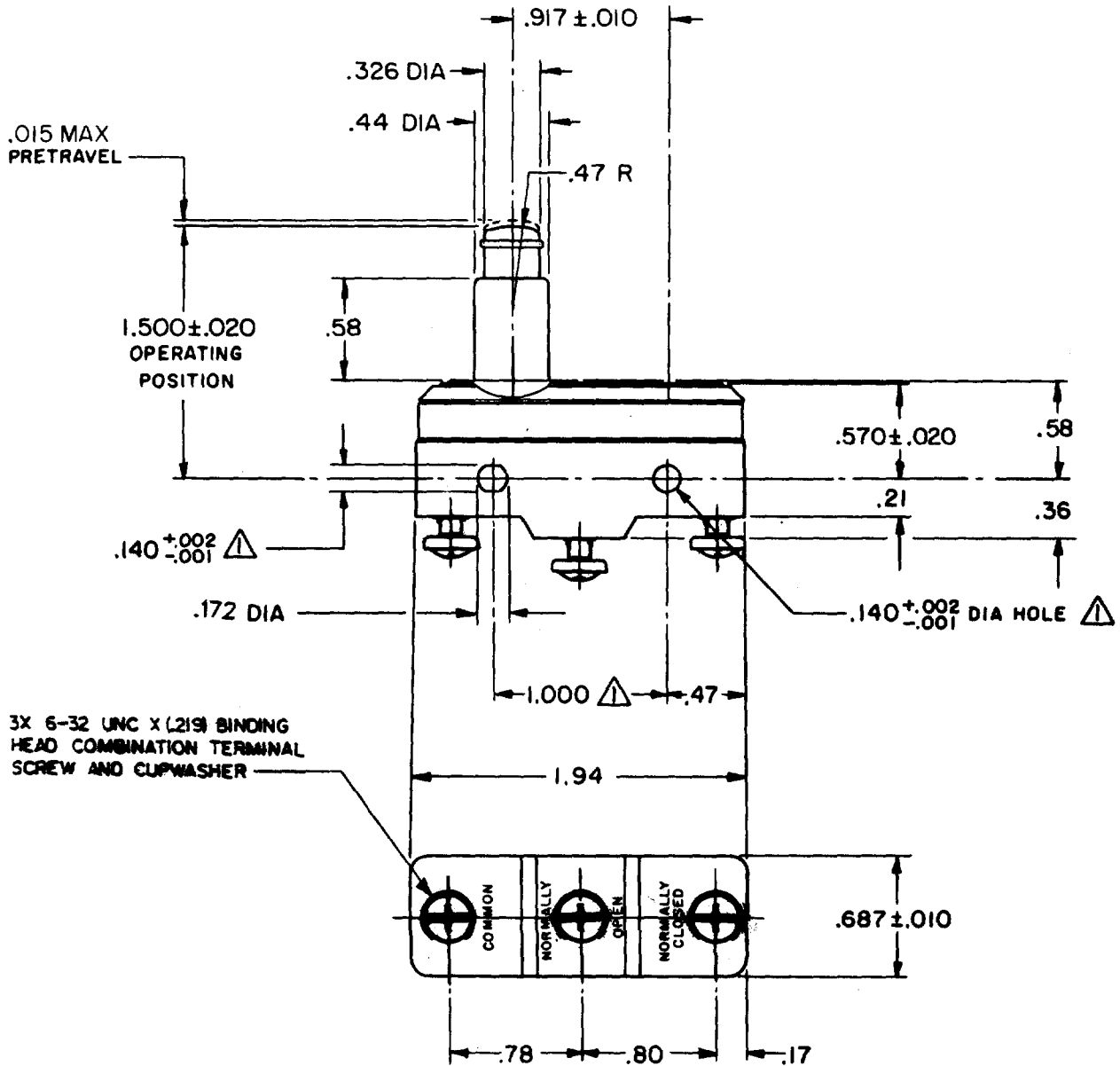






FED. MFG. CODE 91929



3X 6-32 UNC X (.219) BINDING HEAD COMBINATION TERMINAL SCREW AND CUPWASHER

NOTE
 ▲ - MOUNTING HOLES WILL ACCEPT PINS OR SCREWS OF .139 MAX DIA ON 1.000 ± .002 CENTERS

THIS DRAWING COVERS A PROPRIETARY ITEM AND IS THE PROPERTY OF MICRO SWITCH, A DIVISION OF HONEYWELL. THIS DRAWING IS NOT TO BE COPIED OR USED WITHOUT THE APPROVAL OF MICRO SWITCH.

CHARACTERISTICS	ELECTRICAL DATA	SCALE FULL
OPERATING FORCE ----- 9-13 OZ	CONTACT ARRANGEMENT S P D T	DO NOT SCALE PRINT
RELEASE FORCE ----- 4 OZ MIN	UNDERWRITERS' LAB. INC. LISTED RATING	UNLESS OTHERWISE NOTED
DIFFERENTIAL TRAVEL --- .0004-.0020	-L96- 15 A-125, 250, OR 480 VAC	DIMENSIONS ARE IN INCHES
OVERTRAVEL ----- .219 MIN	1/2 A-125 VDC; 1/4 A-250 VDC	TOLERANCES ARE:
	1/8 HP-125 VAC; 1/4 HP-250 VAC	ONE PLACE (.0) ± .030
	-L288-   	TWO PLACE (.00) ± .015
	-L306- 16A 250V  T85 5E4	THREE PLACE (.000) ± .005
		ANGLES ± .005
		WEIGHT .086 LB

BZ-2RQ-A2
 DRAWING NUMBER
 PAGE 1 OF 1
 ISSUE 5
 REVISIONS:
 A CO17410 O M W 22 FEB 65
 B CO-73287-D K D R 8 JULY 93
 C CO-77589 K D R 29 MAR 94
 D CO93346 DLT 10 SEP 98
 CHECK L S D I A N N A Y G B
 FORMTEK FC-50376 DRAWN O M W 22 FEB 65
 REPLACES RELEASE NO. CHECK