

MICRO SWITCH

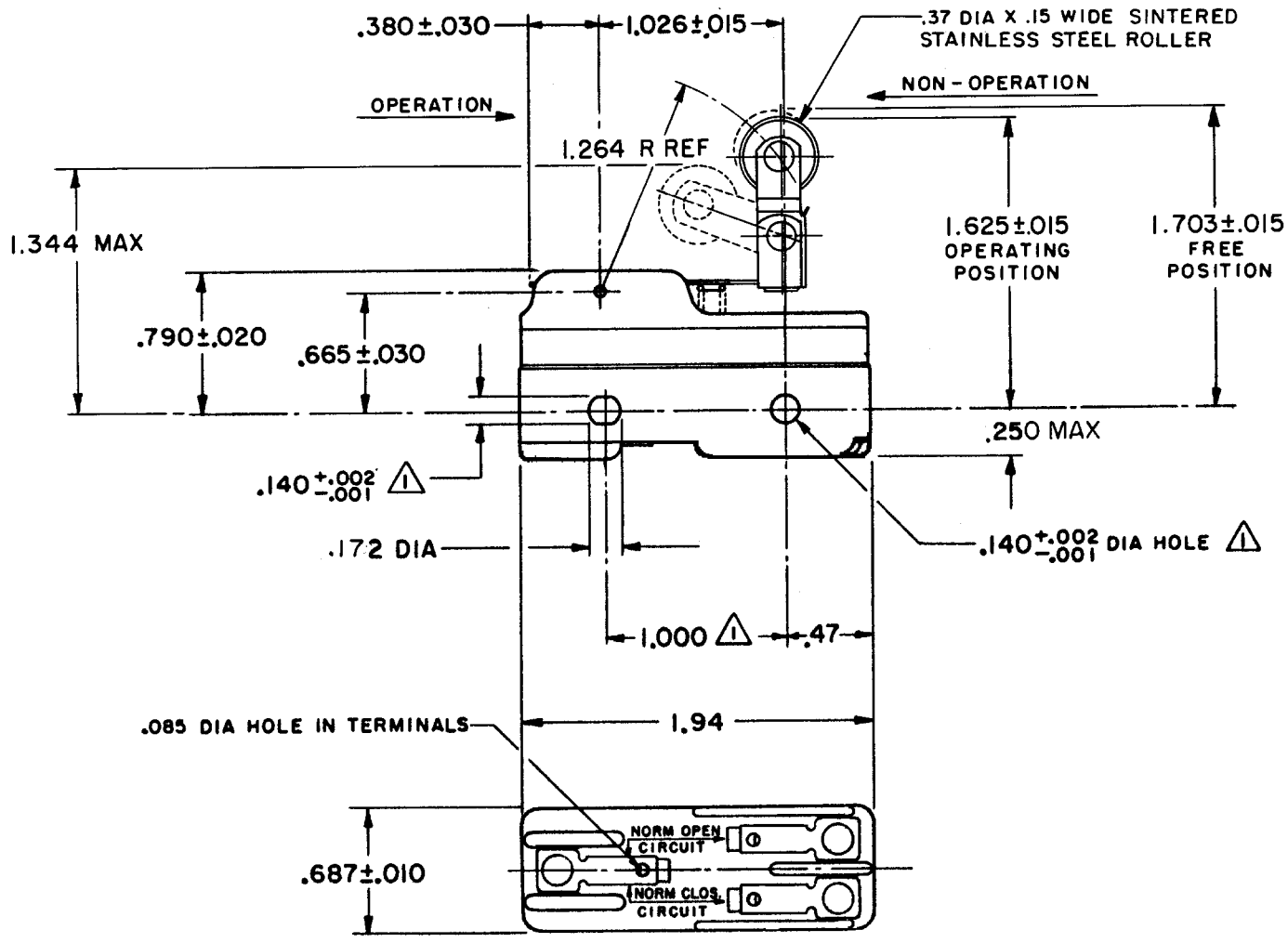
A DIVISION OF MINNEAPOLIS-HONEYWELL REGULATOR COMPANY
 MILWAUKEE, WISCONSIN

FED. MFR. CODE 91929

SWITCH - BASIC

CATALOG LISTING
BZ-2RW826

DRAWING NUMBER **BZ-2RW826** PAGE 1 OF 1
 ISSUE **M** 15
 REVISIONS
 A CO 16736 G C H 12 JUNE 62
 B C034306 D B W 24 JUL 78
 C C046304 J A P 13 OCT 79
 D CO 58037 SMA 1 OCT 85
 E CO-75204-B I WJC FEB 94
 F C078874 DLT 18 NOV 94
 G C093346 DLT 14 SEP 98
 H CO-94212-J J J A 6 OCT 99
 FORMTEK FO-50378
 DRAWN G C H 12 JUNE 62
 CHECK D A W 13 JUNE 62
 CHECK G C H 12 JUNE 62
 RELEASE NO.



NOTE
 MOUNTING HOLES WILL ACCEPT PINS OR SCREWS OF .139 MAX DIA ON 1.000 ± .002 CENTERS.

THIS DRAWING COVERS A PROPRIETARY ITEM AND IS THE PROPERTY OF MICRO SWITCH, A DIVISION OF MINNEAPOLIS-HONEYWELL REGULATOR CO. THIS DRAWING IS NOT TO BE COPIED OR USED WITHOUT THE APPROVAL OF MICRO SWITCH.

CHARACTERISTICS	ELECTRICAL DATA	SCALE FULL
OPERATING FORCE ----- 6 OZ MAX	CONTACT ARRANGEMENT S P D T	DO NOT SCALE PRINT
RELEASE FORCE ----- 1 1/2 OZ MIN	UNDERWRITERS' LAB. INC. LISTED RATING -L96- 15 A-125, 250, OR 480 VAC 1/2 A-125 VDC; 1/4 A-250 VDC 1/8 HP-125 VAC; 1/4 HP-250 VAC -L288- -L299- -L306-	UNLESS OTHERWISE SPECIFIED DIMENSIONS ARE IN INCHES TOLERANCES ARE: ONE PLACE (.0) ± .030 TWO PLACE (.00) ± .018 THREE PLACE (.000) ± .008 ANGLES ±
DIFFERENTIAL TRAVEL ----- .003-.020		CE D SF 16A 250V ~ T85 5E4
OVERTRAVEL ----- .094 MIN		