

# MICRO SWITCH

FREERPORT ILLINOIS, U.S.A.  
A DIVISION OF HONEYWELL  
FED. MFG. CODE 91929

# SWITCH-BASIC

CATALOG LISTING

## BZ-2RW863551-A2

BZ-2RW863551-A2

PAGE 1 OF 1

REPLACES

RELEASE NO. CO-34271

DRAWING NUMBER

6

ISSUE

REVISIONS

|   |            |     |           |
|---|------------|-----|-----------|
| A | CO61823    | KAS | AUG 87    |
| B | CO67209    | JAP | MAY 90    |
| C | CO-73287-1 | JAL | 22 NOV 93 |
| D | CO-77589   | TSM | 29 MAR 94 |
| E | CO93346    | DLT | 18 SEP 98 |

CHECK

CHECK

CHECK

CHECK

CHECK

CHECK

CHECK

CHECK

CHECK

CHECK

CHECK

CHECK

CHECK

CHECK

CHECK

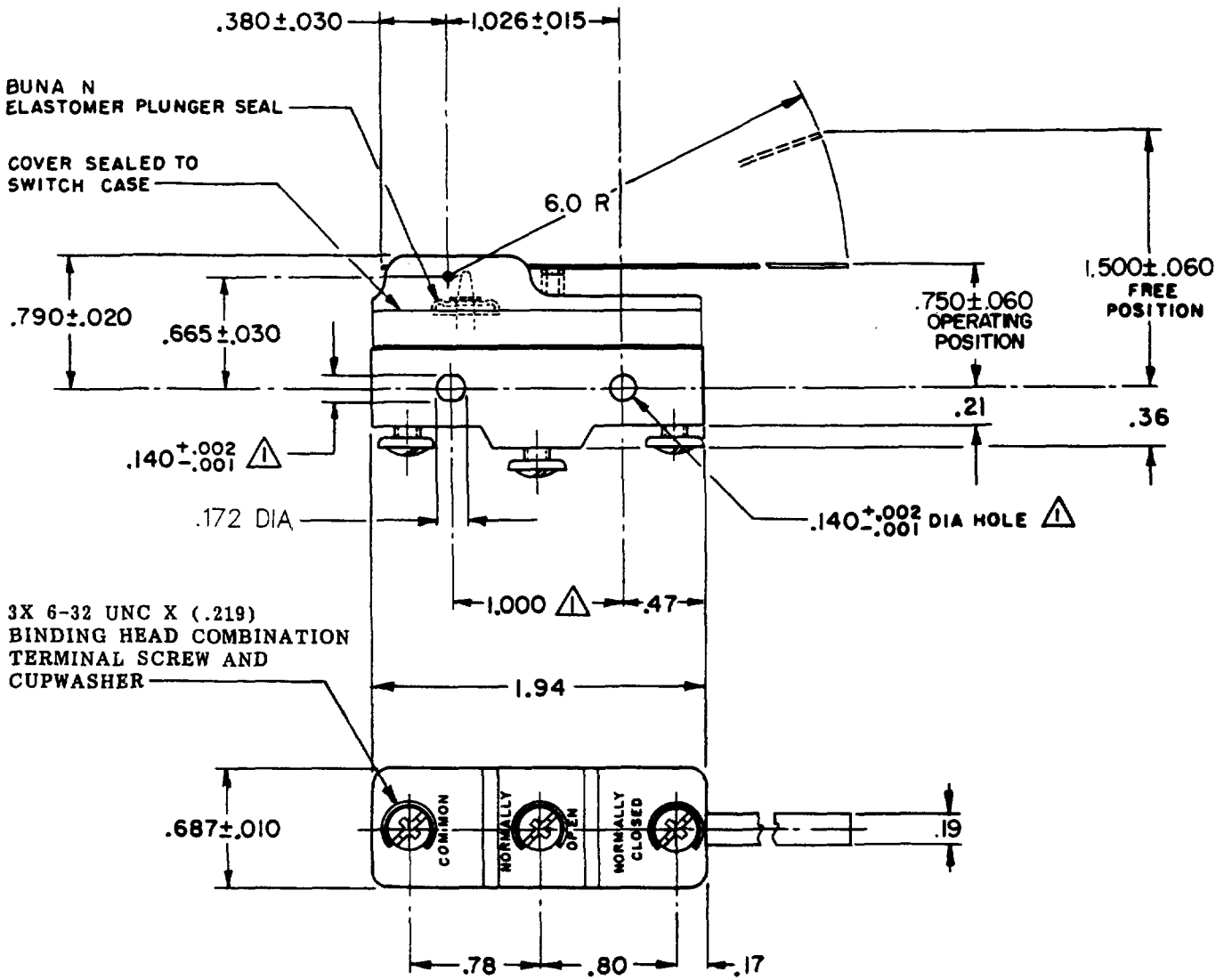
CHECK

CHECK

CHECK

CHECK

CHECK



**NOTES**  
 ▲ MOUNTING HOLES WILL ACCEPT PINS OR SCREWS OF J39 MAX DIA ON 1.000±.002 CENTERS  
 2 - SEALED CONSTRUCTION PROVIDES SPLASH RESISTANCE

THIS DRAWING COVERS A PROPRIETARY ITEM AND IS THE PROPERTY OF MICRO SWITCH, A DIVISION OF HONEYWELL. THIS DRAWING IS NOT TO BE COPIED OR USED WITHOUT THE APPROVAL OF MICRO SWITCH.

THIRD ANGLE PROJECTION

**CHARACTERISTICS**

OPERATING FORCE ----- 1 OZ MAX  
 DIFFERENTIAL TRAVEL ----- .018-.145  
 OVERTRAVEL ----- .500 MIN

**ELECTRICAL DATA**

CONTACT ARRANGEMENT  
 S P D T

L96  
 15A 125, 250 OR 480 VAC  
 1/8 HP 125 VAC, 1/4 HP 250 VAC  
 1/2A 125 VDC, 1/4A 250 VDC

L288  
 L299  
 L306

CE D RJ

SCALE FULL

DO NOT SCALE PRINT

**TOLERANCES**  
 APPLY TO DESIGN UNITS. CONVERSIONS ARE ONLY FOR REFERENCE. UNLESS NOTED, TOLERANCES ARE ±

|              | DIM.     |           | TOL.       |          |
|--------------|----------|-----------|------------|----------|
|              | mm       | in        | mm/in      | mm/in    |
| NO PLACES    | X        | 17.04     | X X        | 0.25/05  |
| ONE PLACE    | X, X     | 0.47/016  | X, X X     | 0.25/015 |
| TWO PLACES   | X, X X   | 0.127/008 | X, X X X   | 0.15/005 |
| THREE PLACES | X, X X X |           | X, X X X X |          |
| ANGLES       |          |           |            |          |

DESIGN UNITS  METRIC  US CUSTOMARY

WEIGHT .073 LB

FORMTEK  
FO-52848-A

DRAWN  
K P K21 OCT 74

CHECK  
D J W 5 NOV 74