

MICRO SWITCH
 FREEPORT, ILLINOIS, U.S.A.
 A DIVISION OF HONEYWELL
 FED. MFG. CODE 91929

SWITCH-ENCLOSED

CATALOG LISTING
BZE6-2RQ5

M BZE6-2RQ5

M

DRAWING NUMBER

ISSUE

3

7

3

7

REVISIONS

A 0038200

29 AUG 77

B C053191-G

2 CJH MAY 84

C C055989

6 NOV 84

D C054958

13 MAR 85

E C072618

11 SEP 92

REPLACES

RELEASE NO.

CHECK

77

SEP

2

SEP

77

CHECK

77

SEP

2

SEP

77

CHECK

77

SEP

2

SEP

77

CHECK

77

SEP

2

SEP

77

CHECK

77

SEP

2

SEP

77

CHECK

77

SEP

2

SEP

77

CHECK

77

SEP

2

SEP

77

CHECK

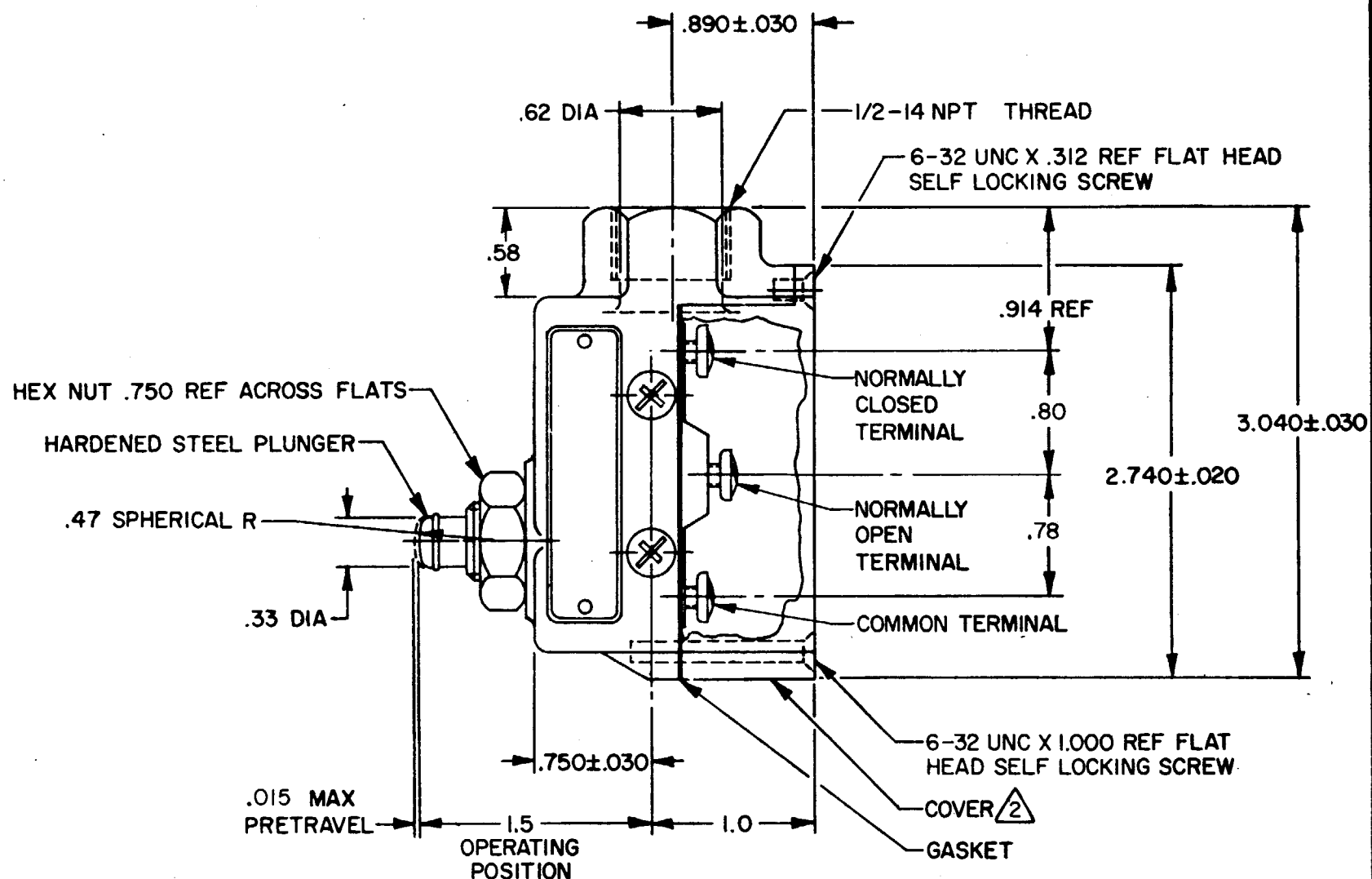
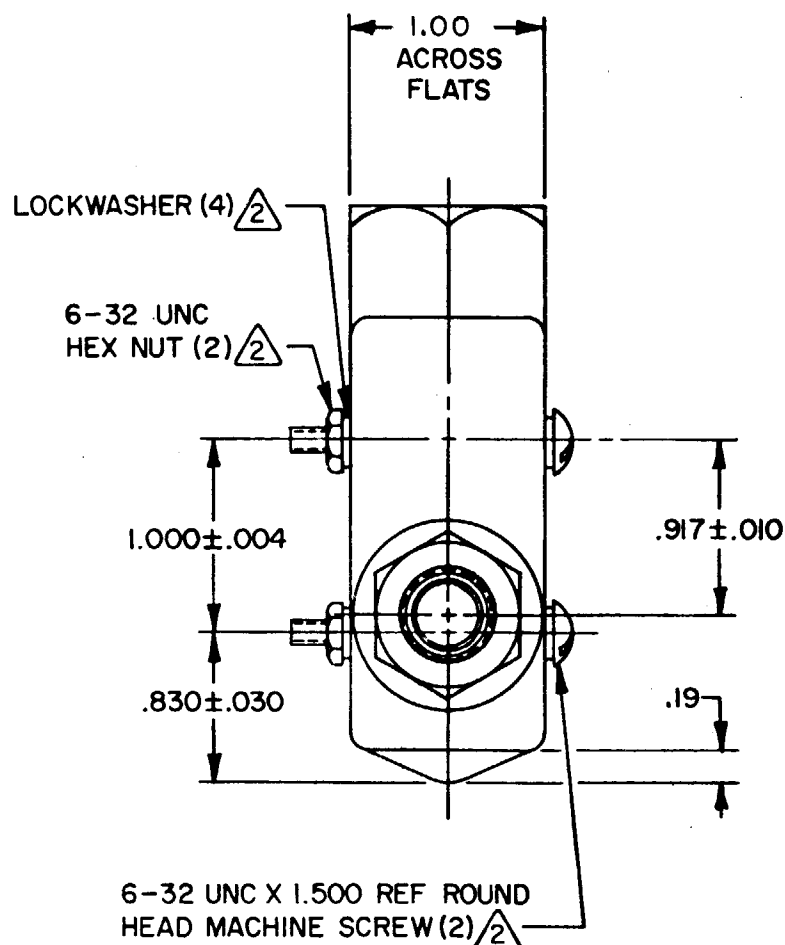
77

SEP

2

SEP

77



NOTES-

- 1 - 6-32 UNC X .219 REF BINDING HEAD TERMINAL SCREW AND CUPWASHER (3)
- \triangle FURNISHED UNASSEMBLED
- 3 - SWITCH WILL WITHSTAND TEMPERATURE OF 250° F

THIS DRAWING COVERS A PROPRIETARY ITEM AND IS THE PROPERTY OF MICRO SWITCH, A DIVISION OF HONEYWELL. THIS DRAWING IS NOT TO BE COPIED OR USED WITHOUT THE APPROVAL OF MICRO SWITCH.

CHARACTERISTICS	ELECTRICAL DATA	SCALE FULL
OPERATING FORCE ----- 9-13 OZ	CONTACT ARRANGEMENT S P D T	DO NOT SCALE PRINT
RELEASE FORCE ----- 4 OZ MIN	15A-125, 250 OR 480 VAC, 2A-600 VAC 1/8 HP-125 VAC; 1/4 HP-250 VAC 1/2A-125 VDC; 1/4A-250 VDC CODE L74	UNLESS OTHERWISE NOTED DIMENSIONS ARE IN INCHES
DIFFERENTIAL TRAVEL ----- .002 MAX		TOLERANCES ARE:
OVERTRAVEL ----- .219 MIN		ONE PLACE (.0) \pm .030
BASIC SWITCH REPLACEMENT -- BZ-2RQ724		TWO PLACE (.00) \pm .015
		THREE PLACE (.000) \pm .005
		ANGLES \pm .008
		WEIGHT .53 LB

FO-5285 1-A

DRAWN

J A L 29 AUG 77

CHECK

77

SEP

2

SEP

77