



MICRO SWITCH
 FREENPORT, ILLINOIS, U.S.A.
 A DIVISION OF HONEYWELL
 FED. MFG. CODE 91929

SWITCH - ENCLOSED

CATALOG LISTING
BZLN-LH

BZLN-LH

M

DRAWING NUMBER

8

8

ISSUE

1011

REPLACES

RELEASE NO.

CHECK

REVISIONS

A	CO11950	M B F	10 NOV 64
B	CO50714	G J W	27 APR 82
C	CO55988	M A M	31 OCT 84
D	CO-81715	J A K	26 SEP 95

CHECK

16 NOV 64

16 NOV 64

16 NOV 64

16 NOV 64

16 NOV 64

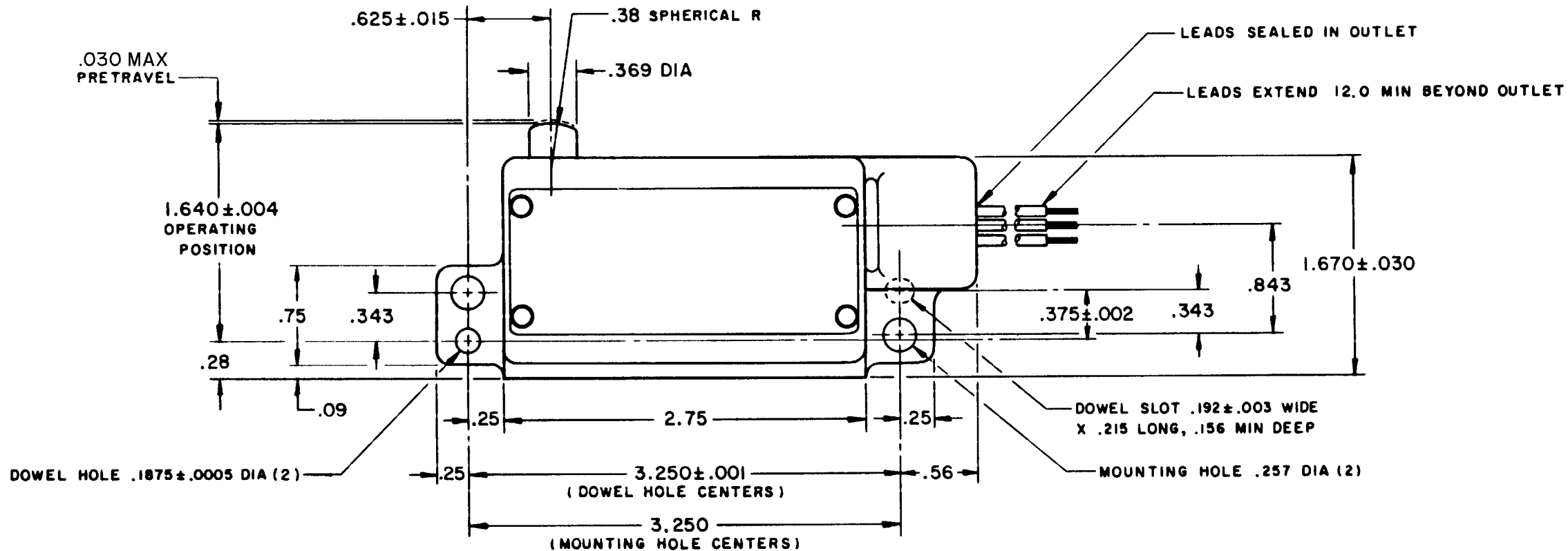
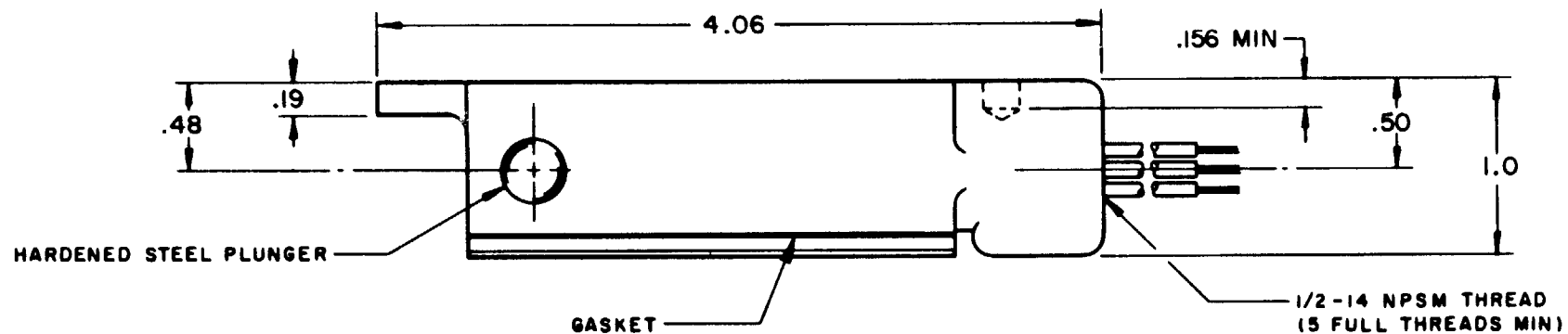
16 NOV 64

16 NOV 64

16 NOV 64

16 NOV 64

FORMTEK



THIS DRAWING COVERS A PROPRIETARY ITEM AND IS THE PROPERTY OF MICRO SWITCH, A DIVISION OF MINNEAPOLIS-HONEYWELL REGULATOR CO. THIS DRAWING IS NOT TO BE COPIED OR USED WITHOUT THE APPROVAL OF MICRO SWITCH.

CHARACTERISTICS	ELECTRICAL DATA	SCALE FULL
OPERATING FORCE — — — 5 LB MAX	CONTACT ARRANGEMENT S P D T	DO NOT SCALE PRINT
RELEASE FORCE — — — 1 LB MIN	-L96- 15 A-125, 250, OR 480 VAC 1/2 A-125 VDC; 1/4 A-250 VDC 1/8 HP-125 VAC; 1/4 HP-250 VAC	UNLESS OTHERWISE NOTED DIMENSIONS ARE IN INCHES
DIFFERENTIAL TRAVEL — — — .004 MAX		TOLERANCES ARE:
OVERTRAVEL — — — .203 MIN		ONE PLACE (.0) ±.030 TWO PLACE (.00) ±.018 THREE PLACE (.000) ±.008 ANGLES ±
	WEIGHT .720 LB PLUS LEADS	

WIRING CONNECTIONS -
 COMMON - BLACK LEAD
 NORMALLY OPEN - BLUE LEAD
 NORMALLY CLOSED - RED LEAD