

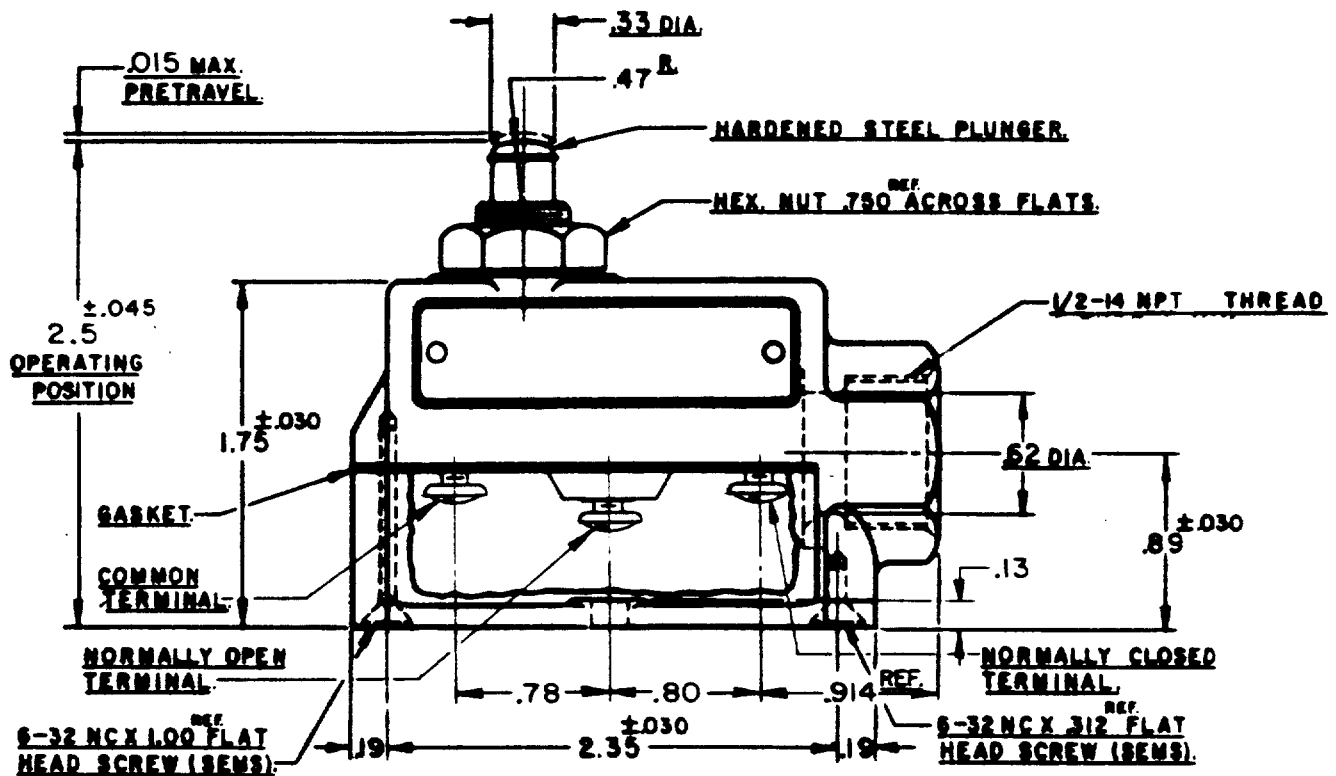
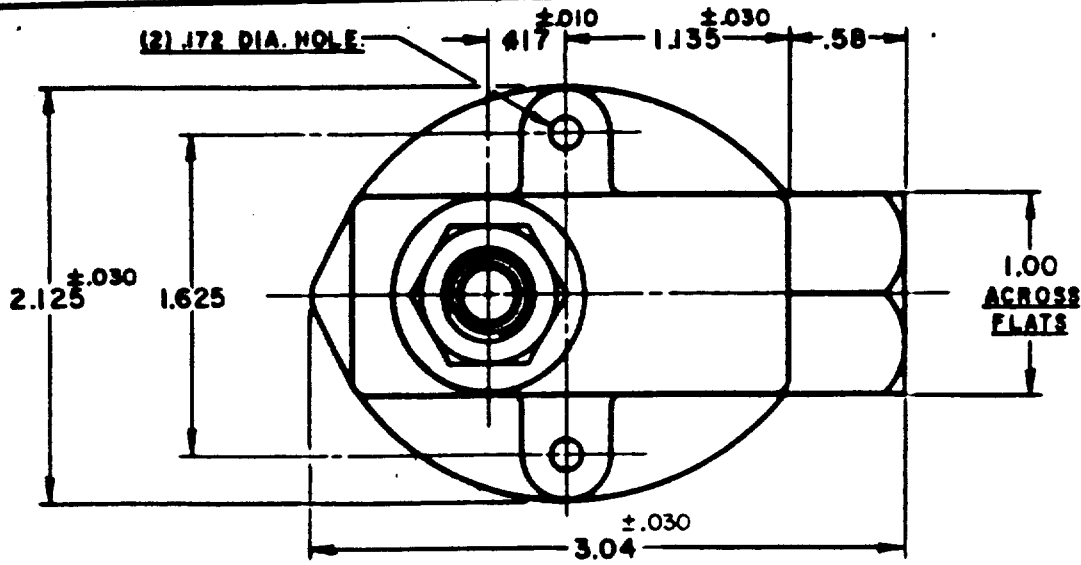
MICRO SWITCH

SWITCH - ENCLOSED

CATALOG LISTING
★ BZV6 - 2RQ

FED. MFR. CODE 91829

THIS DRAWING COVERS A PROPRIETARY ITEM AND IS THE PROPERTY OF MICRO SWITCH, A DIVISION OF HONEYWELL. THIS DRAWING IS NOT TO BE COPIED OR USED WITHOUT THE APPROVAL OF MICRO SWITCH.



NOTE-

1 - (3) 6-32 NC X .219^{REF} TERMINAL SCREW AND CUPWASHER.

M BZV6 - 2RQ

DRAWING NUMBER

ISSUE X 7

CHECK C W M 23 JAN 58

REVISIONS

A	C6	17853	JPH	29 JAN 64
B	C030398		JAW	12 APR 62
C	C053194		JAW	2 MAR 64
D	C055989		JAW	6 NOV 64
E	C064958		KEW	21 JUL 65
F	C072661		DAW	10 SEP 92

CHECK C H 28 JAN 58

CHECK C H 28 JAN 58

O. M. W. 15 JAN 58

DRAWN

CHARACTERISTICS	
OPERATING FORCE	9-13 OZ.
RELEASE FORCE	4 OZ. MIN.
DIFFERENTIAL TRAVEL	.002 MAX.
OVERTRAVEL	.219 MIN.
SWITCH-BASIC REPLACEMENT	BZ-2R066

ELECTRICAL DATA	
CONTACT ARRANGEMENT	S. P. D. T.
16A-125, 250 OR 400 VAC, 2A-800 VAC -L74- 1/8HP-125 VAC; 1/4HP-250 VAC 1/2A-125 VDC; 1/4A-250 VDC	

SCALE - FULL		
DO NOT SCALE PRINT		
UNLESS OTHERWISE SPECIFIED		
DIMENSIONS ARE IN INCHES		
TOLERANCES ARE:		
ONE PLACE	(.0)	±.000
TWO PLACE	(.00)	±.010
THREE PLACE	(.000)	±.005
ANGLES		±
WEIGHT .62 LB.		