

MICRO SWITCH
A DIVISION OF MINNEAPOLIS-HONEYWELL REGULATOR COMPANY
 HALEPORT, MINNESOTA
 FED. MFR. CODE 91929

SWITCH-ENCLOSED

CATALOG LISTING
DTV6-2RN

DTV6-2RN

M

DRAWING NUMBER

10

ISSUE

AB

CHECK

REVISIONS

A CO18438

M B F

10 OCT 63

B CO23251

M B F

25 SEPT 67

C CO26087

D L F

24 JUL 68

D CO53191-D

K J S

1 MAR 84

E CO55989

C J H

5 NOV 84

F CO54958

Y S K

26 FEB 85

G CO597568

Y S K

24 NOV 86

H CO72661

D A W

16 SEP 92

J CO77179-D

J J O

12 MAR 94

REPLACES

RELEASE NO.

CHECK

CHECK

CHECK

CHECK

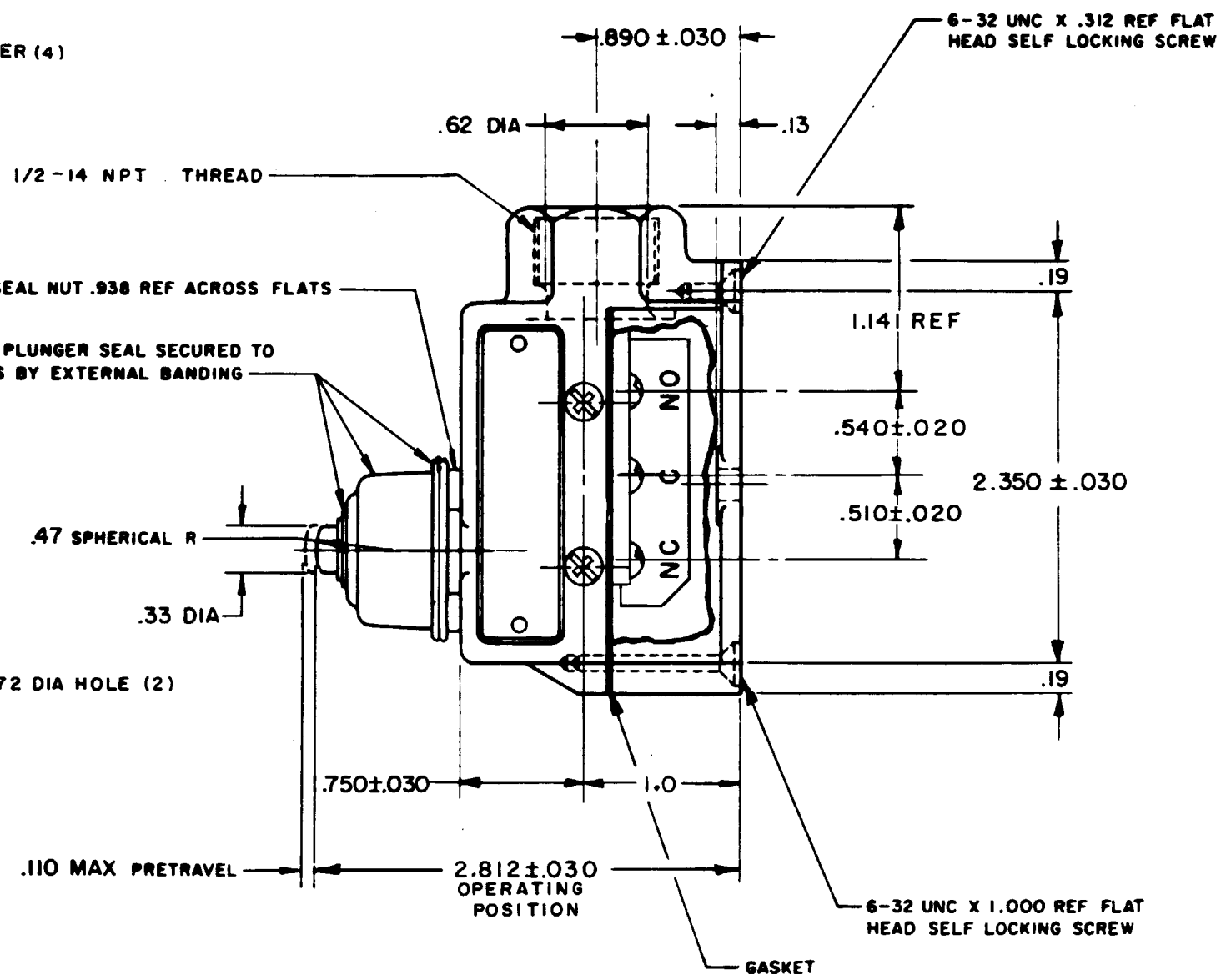
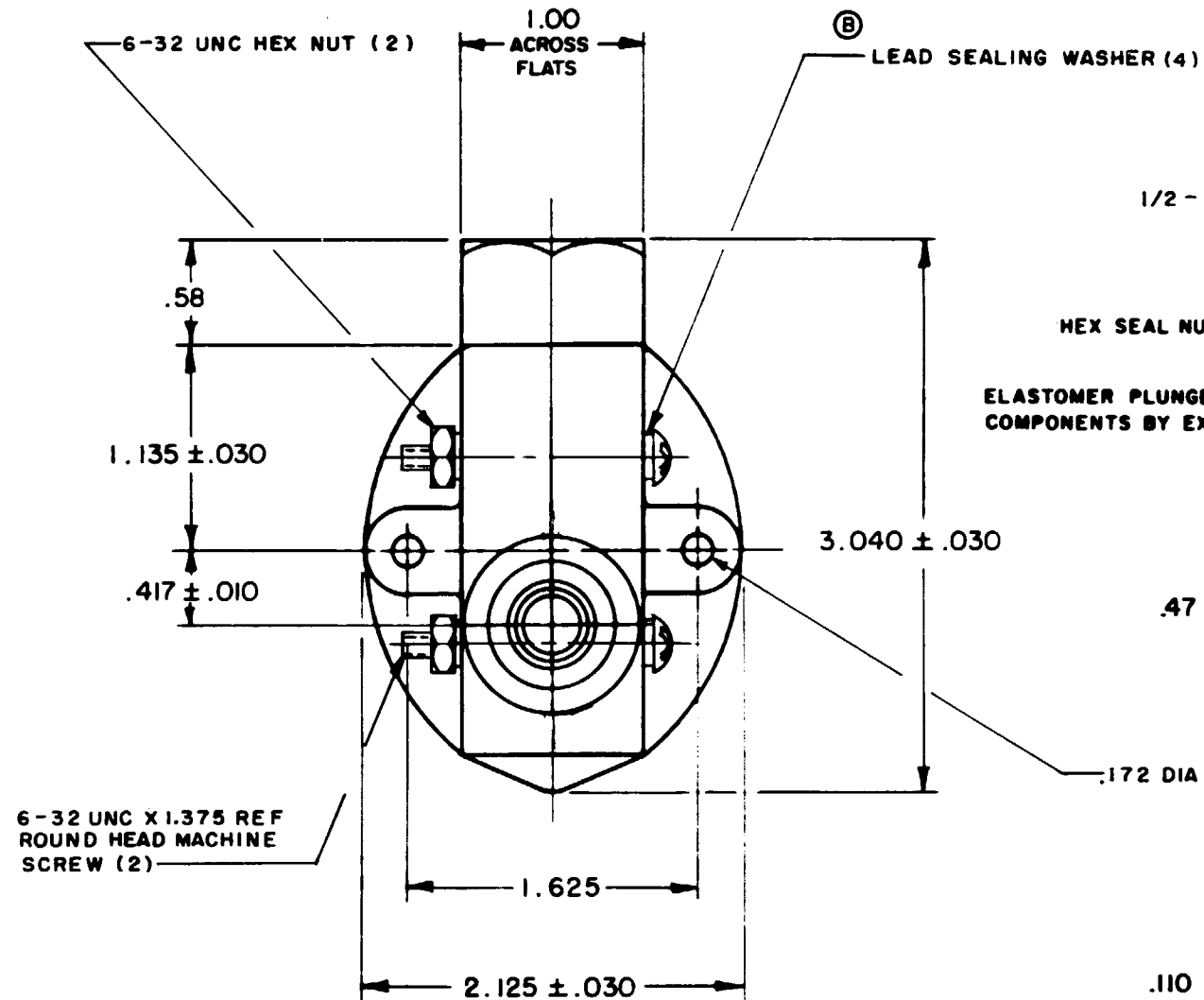
CHECK

CHECK

CHECK

CHECK

CHECK



NOTE -

1 - 4-40 UNC X .125 REF TERMINAL SCREW AND LOCKWASHER (3)

THIS DRAWING COVERS A PROPRIETARY ITEM AND IS THE PROPERTY OF MICRO SWITCH, A DIVISION OF MINNEAPOLIS-HONEYWELL REGULATOR CO. THIS DRAWING IS NOT TO BE COPIED OR USED WITHOUT THE APPROVAL OF MICRO SWITCH.

CHARACTERISTICS	ELECTRICAL DATA	SCALE FULL
OPERATING FORCE - - - - 26-59 OZ	CONTACT ARRANGEMENT D P D T	DO NOT SCALE PRINT
DIFFERENTIAL TRAVEL - - - .060 MAX	-L59- 10 A-125 OR 250 VAC 0.3 A-125 VDC; 0.15 A-250 VDC	UNLESS OTHERWISE SPECIFIED DIMENSIONS ARE IN INCHES
OVERTRAVEL - - - - .125 MIN		TOLERANCES ARE: ONE PLACE (.0) ± .030 TWO PLACE (.00) ± .015 THREE PLACE (.000) ± .005 ANGLES ±
SWITCH-BASIC REPLACEMENT - DT-2R-A7	SA	WEIGHT .82 LB

RU

FO-80378-003

DRAWN

MBF 10 OCT 63