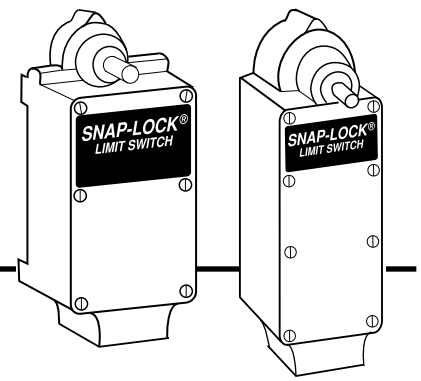


Double Pole  
Standard Environment

# Limit Switches

# Butt Contacts



Limit Switches

## Standard (EA170)

Double pole, double break, double throw, heavy duty limit switch having mechanical travel of 10° to trip and with two normally open and two normally closed circuits. Can be furnished with standard, wide or long mounting.

## Short Travel (EA170)

With mechanical travel of 6-1/2° required to trip, this heavy duty limit switch operates with two normally open

and two normally closed circuits. Can be furnished with standard, wide or long mounting.

## Reverse Shaft (EA170)

Designed for applications where a reverse shaft is essential in operation. This series provides the same snap locking action of the other series of EA170 Snap-Lock Switches. Can be furnished with standard, wide or long mounting.

## EA700 (Standard)

The versatility of the Snap-Lock mechanism is gained through the use of a series of uniquely designed cams. The cam and cam mechanism allow features such as bi-directional operation and generous overtravel. These features make the EA700 Series one of the most popular. Can be furnished with Standard, Wide or Long mounting.

### EA170 Double Pole 2 N.O. - 2 N.C. / Butt Contacts / Rocker Type

Standard Mounting Model No.	Wide Mounting Model No.	Long Mounting Model No.	Dir. Of Operation	Angle A Trip Travel	Angle B Reset Travel	Angle C Recom. Travel	Angle D Total Travel	Angle E Min. Travel to Maintain	Angle F Overall Travel	Torque (inch lbs)	Contact Config.	Data Drawing
<b>STANDARD TRAVEL</b>												
EA170-11100	EA170-21100	EA170-31100	CW	10°	8°	13°	37°	-	-	23	A	1
EA170-12100	EA170-22100	EA170-32100	CCW	10°	8°	13°	37°	-	-	23	B	1
EA170-13100	EA170-23100	EA170-33100	Maintain	10°	8°	13°	37°	-	-	10	-	1
<b>SHORT TRAVEL</b>												
EA170-14100	EA170-24100	EA170-34100	CW	6° 30'	4°	7°	36°	-	-	32	A	1
EA170-15100	EA170-25100	EA170-35100	CCW	6° 30'	4°	7°	36°	-	-	32	B	1
EA170-16100	EA170-26100	EA170-36100	Maintain	6° 30'	4°	7°	36°	-	-	10.5	-	1
<b>STANDARD TRAVEL - REVERSE SHAFT</b>												
EA170-41100	EA170-51100	EA170-61100	CW	10°	8°	13°	37°	-	-	30	A	1
EA170-42100	EA170-52100	EA170-62100	CCW	10°	8°	13°	37°	-	-	30	B	1
EA170-43100	EA170-53100	EA170-63100	Maintain	10°	8°	13°	37°	-	-	23	-	1

### EA700 Double Pole Standard 2 N.O. - 2 N.C. / Neutral Position 4 N.O. or 4 N.C. / Butt Contacts

Standard Mounting Model No.	Wide Mounting Model No.	Long Mounting Model No.	Dir. Of Operation	Angle A Trip Travel	Angle B Reset Travel	Angle C Recom. Travel	Angle D Total Travel	Angle E Min. Travel to Maintain	Angle F Overall Travel	Torque (inch lbs)	Contact Config.	Data Drawing
<b>STANDARD TRAVEL / CAM ACTION</b>												
EA700-20000	EA700-50000	EA700-80000	CW	18°	14°	30°	90°	-	-	27	C	1
EA700-20001	EA700-50001	EA700-80001	CCW	18°	14°	30°	90°	-	-	27	D	1
EA700-20100	EA700-50100	EA700-80100	CW/CCW	18°	14°	30°	90°	-	-	27	E	1
<b>NEUTRAL POSITION / CAM ACTION - ALL CONTACTS OPEN</b>												
EA700-25000	EA700-55000	EA700-85000	CW	11°	9°	45°	90°	-	-	19.5	F	1
			CCW	35°	13°	45°	90°	-	-	15		

See Operating Levers Section

## EA700 Double Pole Standard

2 N.O. - 2 N.C. / Neutral Position 4 N.O. or 4 N.C. / Butt Contacts / Cam Action

Standard Mounting Model No.	Wide Mounting Model No.	Long Mounting Model No.	Dir. Of Operation	Angle A Trip Travel	Angle B Reset Travel	Angle C Recom. Travel	Angle D Total Travel	Angle E Min. Travel to Maintain	Angle F Overall Travel	Torque (inch lbs)	Contact Config.	Data Drawing
<b>NEUTRAL POSITION - ALL CONTACTS OPEN</b>												
EA700-25102	EA700-55102	EA700-85102	CW	31°	22°	45°	90°	-	-	16.5	G	1
			CCW	31°	12°	45°	90°	-	-	20.5		
<b>NEUTRAL POSITION - ALL CONTACTS CLOSED</b>												
EA700-25108	EA700-55108	EA700-85108	CW	31°	22°	45°	90°	-	-	16.5	H	1
			CCW	31°	12°	45°	90°	-	-	20.5		
<b>MAINTAINED CONTACT - MAINTAINED CONTACTS &amp; LEVER POSITION</b>												
EA700-26000	EA700-56000	EA700-86000	CW	55°	22°	60°	116°	55°	64°	6	I	2
			CCW	25°	25°	60°	124°	54°	56°	12		
<b>MAINTAINED CONTACT - MAINTAINED CONTACTS - LEVER RETURNED</b>												
EA700-26700	EA700-56700	EA700-86700	CW	30°	26°	45°	90°	30°	-	15	I	3
			CCW	16°	30°	45°	90°	26°	-	16.5		

## Contact Configurations

<b>CIRCUIT A</b>			<b>CIRCUIT B</b>		
CW	Initial	CCW	CW	Initial	CCW
● ●	H ● ●	G ● ●	● ●	H ● ●	G ● ●
● ●	F ● ●	E ● ●	● ●	F ● ●	E ● ●
● ●	D ● ●	C ● ●	● ●	D ● ●	C ● ●
● ●	B ● ●	A ● ●	● ●	B ● ●	A ● ●
<b>CIRCUIT C</b>			<b>CIRCUIT D</b>		
CW	Initial	CCW	CW	Initial	CCW
● ●	H ● ●	G ● ●	● ●	H ● ●	G ● ●
● ●	F ● ●	E ● ●	● ●	F ● ●	E ● ●
● ●	D ● ●	C ● ●	● ●	D ● ●	C ● ●
● ●	B ● ●	A ● ●	● ●	B ● ●	A ● ●
<b>CIRCUIT E</b>			<b>CIRCUIT F</b>		
CW	Initial	CCW	CW	Initial	CCW
● ●	H ● ●	G ● ●	● ●	H ● ●	G ● ●
● ●	F ● ●	E ● ●	● ●	F ● ●	E ● ●
● ●	D ● ●	C ● ●	● ●	D ● ●	C ● ●
● ●	B ● ●	A ● ●	● ●	B ● ●	A ● ●
<b>CIRCUIT G</b>			<b>CIRCUIT H</b>		
CW	Initial	CCW	CW	Initial	CCW
● ●	H ● ●	G ● ●	● ●	H ● ●	G ● ●
● ●	F ● ●	E ● ●	● ●	F ● ●	E ● ●
● ●	D ● ●	C ● ●	● ●	D ● ●	C ● ●
● ●	B ● ●	A ● ●	● ●	B ● ●	A ● ●
<b>CIRCUIT I</b>					
CCW Operating			CW Operating		
CW	Initial	CCW	CW	Initial	CCW
● ●	H ● ●	G ● ●	● ●	H ● ●	G ● ●
● ●	F ● ●	E ● ●	● ●	F ● ●	E ● ●
● ●	D ● ●	C ● ●	● ●	D ● ●	C ● ●
● ●	B ● ●	A ● ●	● ●	B ● ●	A ● ●

## Operational Data Drawings

**DRAWING #1**

**DRAWING #2**

**CCW Operating**      **CW Operating**

*To change switch operation from CW operating to CCW operating, operate switch through angle E. Remove lever and reset at initial position.*

**DRAWING #3**

**CCW Operating**      **CW Operating**

*To change switch operation from CW operating to CCW operating, operate switch through angle E.*



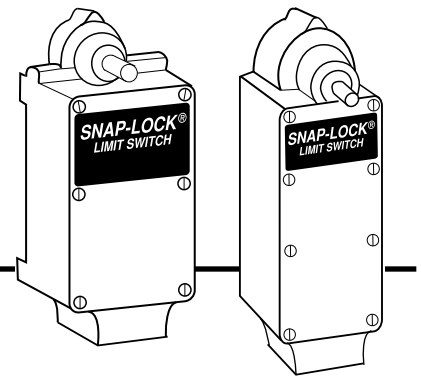
2013 West Meeting Street • Lancaster, SC 29720  
 1-803-286-8491 • FAX: 1-800-678-6263  
[www.namcocontrols.com](http://www.namcocontrols.com)

For technical assistance, call 1-800-NAMTECH

Double Pole  
Standard Environment

# Limit Switches

Butt  
Contacts



Limit Switches

## Common Switch Characteristics

DOUBLE POLE, STANDARD ENVIRONMENT, BUTT CONTACTS		
	EA170	EA700
NEMA Enclosure Type	1, 4, 13	
Housing Material	Zinc/Al.	Zinc
Ambient Temperature Range*	-20°C to +90°C	
Shipping Weight	3.5 lbs. approx.	4 lbs. approx.
Lever Adjustment	EA170 Std. Shaft: 7°30' Increments thru 167°  EA170 Rev. Shaft: 7°30' Increments thru 360°	7°30' Increments thru 360°
Contacts	Butt, Silver Alloy, Form Z	

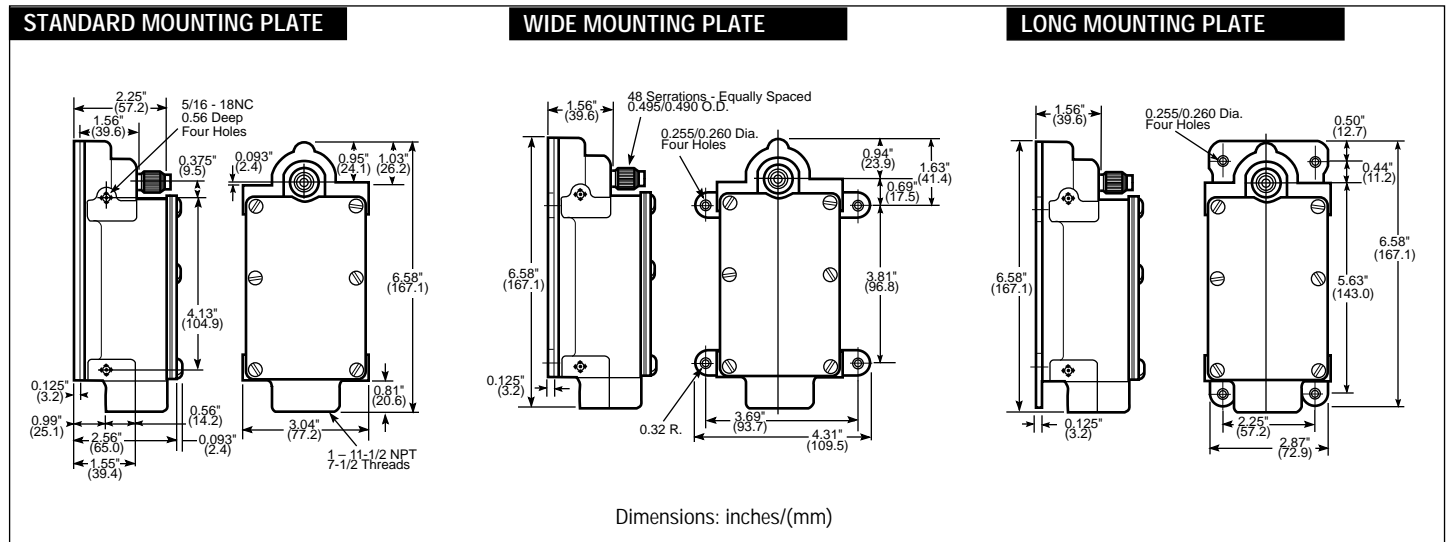
\*Some high temperature (+20°C to 180°C) and low temperature (-40°C to +90°C) versions available. Contact factory.

## Continuous Current Rating - Amperes

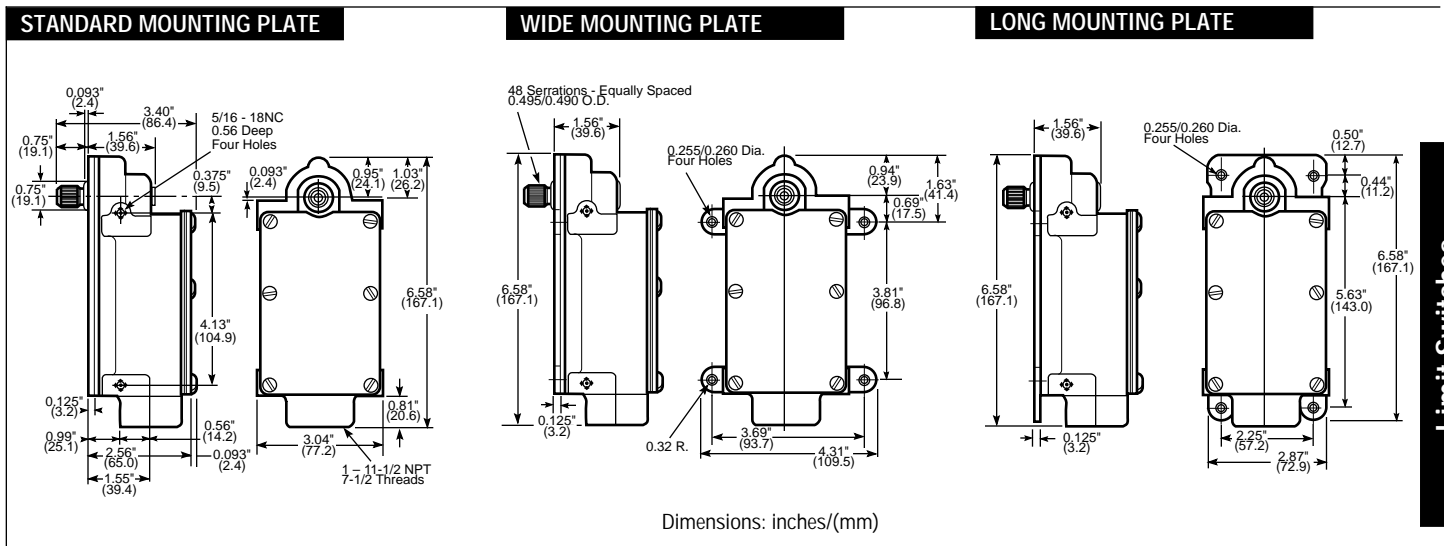
VOLTAGE	AC	DC
125	20.0	5.0
250	15.0	1.5
480	10.0	-
600	5.0	-

75-100% Power Factor

## EA170 (Standard) Series Drawings

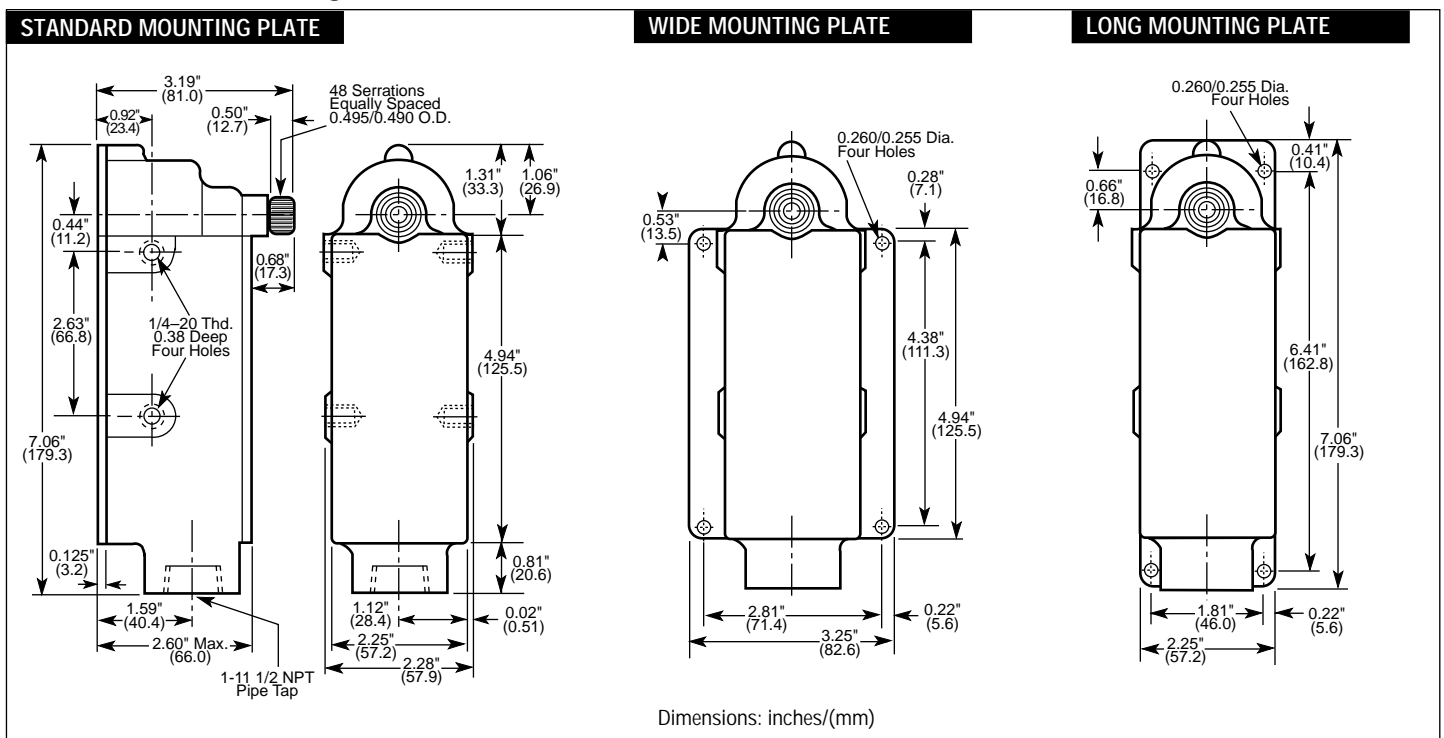


## EA170 (Reverse Shaft) Series Drawings



Limit Switches

## EA700 Series Drawings



2013 West Meeting Street • Lancaster, SC 29720  
 1-803-286-8491 • FAX: 1-800-678-6263  
[www.namcocontrols.com](http://www.namcocontrols.com)

For technical assistance, call 1-800-NAMTECH