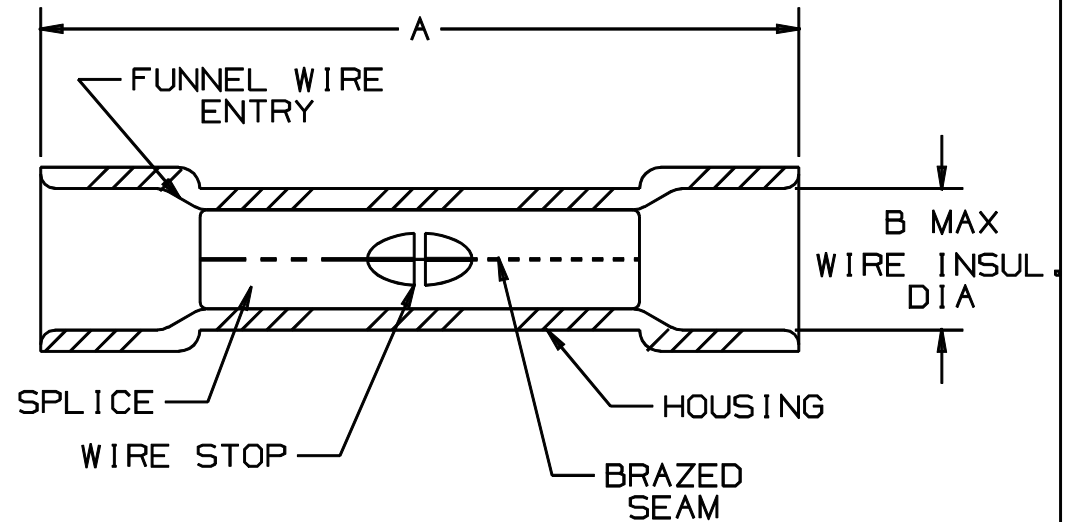


THIS COPY IS PROVIDED ON A RESTRICTED BASIS AND IS NOT TO BE USED IN ANY WAY DETRIMENTAL TO THE INTERESTS OF PANDUIT CORP.

PANDUIT PART NUMBER		WIRE RANGE	COLOR CODE	DIMENSIONS in.	
PREFIX	PK.			A $\pm .03$	B
BSV18X	-C -M	22-18 •	RED	1.03 (26,16)	.170 (4,32)
BSV14X	-C -M	16-14 ••	BLUE	1.04 (26,42)	.200 (5,08)
BSV10X	-L -D	12-10 •••	YELLOW	1.18 (29,97)	.250 (6,35)



NOTES :

- UL LISTED AND CSA CERTIFIED FOR :
 A. 600 V MAX. VOLTAGE RATING
 B. 221°F (105°C) MAX. TEMP. RATING
 C. SOLID OR STRANDED, COPPER WIRE
- MATERIAL :
 A. STAMPING (22-18 & 16-14) - .03" THK COPPER, TIN PLATED
 B. STAMPING (12-10) - .04" THK COPPER, TIN PLATED
 C. HOUSING - VINYL
- DIMENSIONS IN BRACKETS ARE IN MILLIMETERS
- INSTALLATION TOOLS : CT-100, CT-500, CT-550, CT-1550, CT-1551
 (CT-500 NOT USED WITH BSV10X, 300V WITH BSV10X & CT-100)
- 22-16 AWG WIRE RANGE
 WITH CT-500, CT-550, CT-1550, CT-1551 TOOLS
 •• 18-14 AWG WIRE RANGE
 WITH CT-500, CT-550, CT-1550, CT-1551 TOOLS
 ••• 12-10 AWG STRANDED AND 12 AWG SOLID
 COPPER WIRE WITH CT-1550 AND CT-1551 TOOL
- WIRE STRIP LENGTH: 5/16 $\pm 1/32$ (7,9 $\pm .8$.0)

7. PACKAGE QTY: STD. PKG. -L=50 BULK PKG. -D=500
 -C=100 -M=1000



LISTED
587H
E52164



CERTIFIED
LR31212

A41181_06

06	10/00	EJS		DIMENSION B IN PART BSV18X WAS .183, BSV14X WAS .211, BSV10X WAS .260				<p>TINLEY PARK, ILLINOIS</p> <p>EXPANDED VINYL INSULATED BUTT SPLICES</p>
05	11/98	WJBSKB		UPDATED WIRE STOPS, NOTES, & DIMS.	07265	JCJ	TRO	
4	3/95	MS	RLS	UPDATED NOTES AND DIMENSIONS	03080	LA	KS	
3	3/88	FS		REDRAWN ON CAD		LA	JB	
REV	DATE	BY	CHK	DESCRIPTION	ECN #	CUST	PM	DRAWN BY FES
								CHK'D SCALE NONE
								DRAWING NO. A41181