

# Data sheet

## PT116xxHBEC Typ 229

Page 1/6

P/N  
312291xx

xx=number of poles

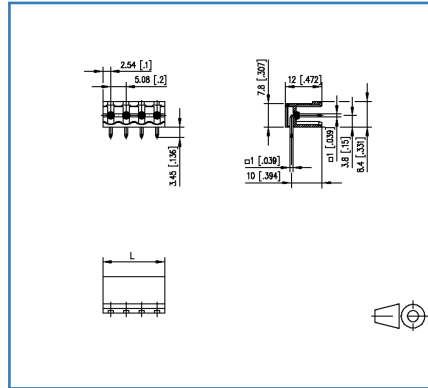
2019/10/28

Version: R

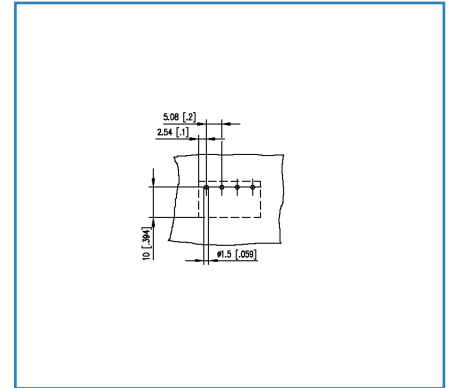
### Illustrations



Dimensional drawing



Drill pattern



See enlarged drawings at the end of document

### Product specification



- pin header, solderable
- centerline 5.08 mm, direction of connection 90°
- open ends, fittable without loss of poles
- color black
- codeable

## Technical Data

### General Data

Solder pin length	3.45 mm		
min. number of poles	2		
max. number of poles	24		
Insulating material class	CTI 600		
clearance/creepage dist.	4.08 mm		
protection category	IP00		
Overvoltage category	III	III	II
Pollution degree	3	2	2
Rated voltage	320 V	800 V	800 V
Rated test voltage	4 kV	4 kV	4 kV

### Approvals

 V / A	300 / 15
approval UL - File No.	E121004
 1.5 mm <sup>2</sup>	320 V / 4 kV / 13.5 A / 1.0 x 1.0 mm

### Material

insulating material	PA66
flammability class	V0
contact pin material	CuFe
contact pin surface	Ni + Ag
Glow-Wire Flammability GWFI	960 °C acc. to IEC 60695-2-12
Glow-Wire Flammability GWIT	775 °C acc. to IEC 60695-2-13

### Climatic Data

upper limit temperature	105 °C
lower limit temperature	-40 °C

### General

Tolerance	ISO 2768 -mH
Solderability	Acc. to JEDEC JESD22-B102E 245°C/5s

## Accessories

P/N	Designation
700024-01-9	700024
700523-0157	Geh_Kappe_swg_Block



## Data sheet PT116xxHBEC Typ 229

Page 4/6

P/N  
312291xx

xx=number of poles

2019/10/28

Version: R

### Counterpart of

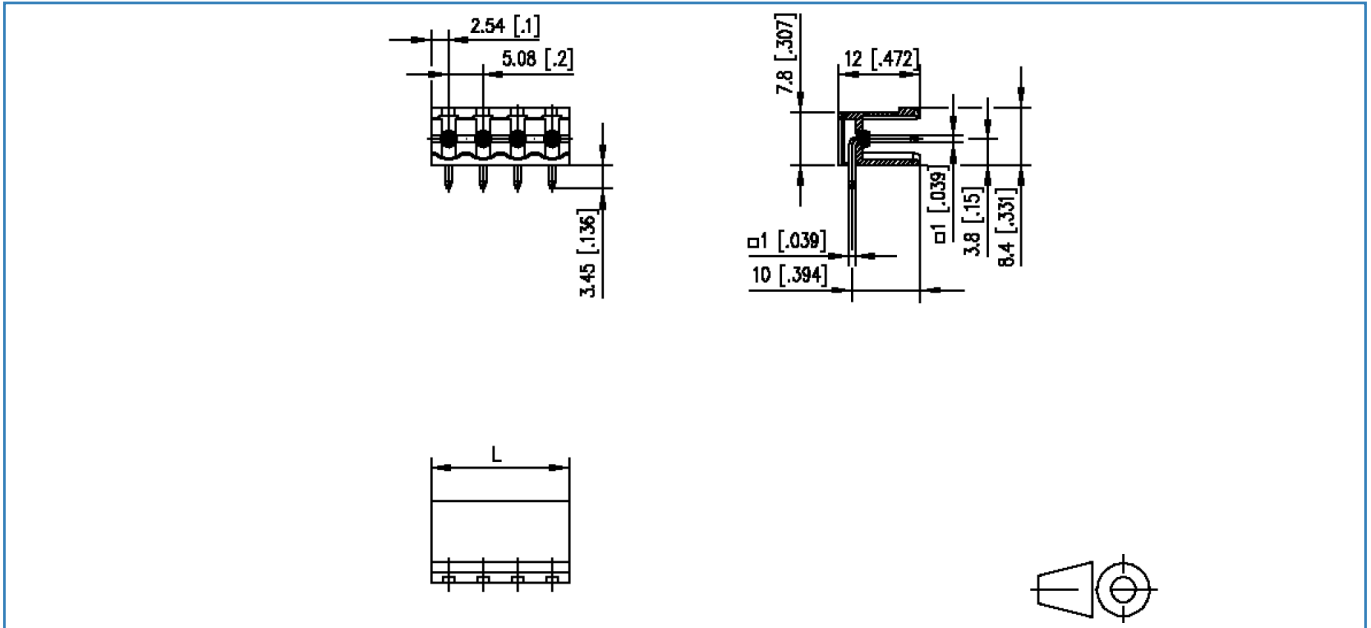
P/N	Designation
312131	RP036xxHBLC Typ 213
312141	RP036xxHBLD Typ 214
312491	RP016xxVBLC Typ 249
312501	RP016xxSBLC Typ 250
ASP046	SP046xxVBNC ASP046

© 2019 METZ CONNECT - Technische Änderungen vorbehalten! Subject to modifications! Sous réserve de modifications techniques!



**Illustrations**

Dimensional drawing

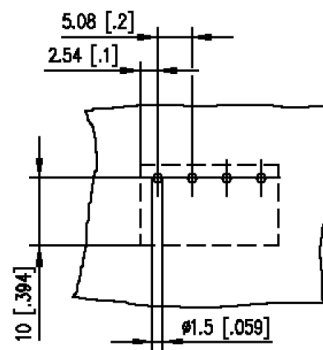


$L = (\text{pole size} - 1) \times \text{centerline} + 4.98 \text{ mm} [0.196]$

© 2019 METZ CONNECT - Technische Änderungen vorbehalten! Subject to modifications! Sous réserve de modifications techniques!

## Illustrations

### Drill pattern



© 2019 METZ CONNECT - Technische Änderungen vorbehalten! Subject to modifications! Sous réserve de modifications techniques!

