

# Data Sheet

## PT055xxHBHC

Page 1/4

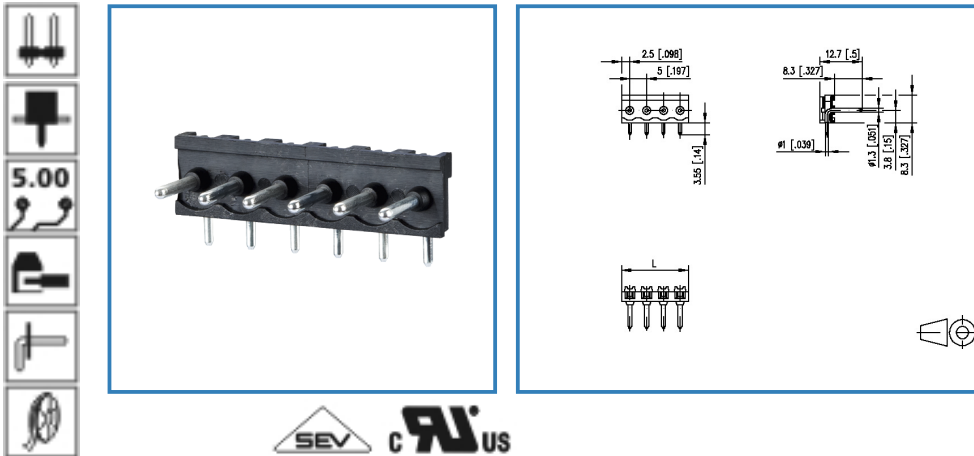
P/N

310391xx

xx=number of poles

2013/12/05

### Illustration



see enlarged drawing at the end of the document

### Product specification

- pin header, solderable
- centerline 5.00 mm, direction of connection 90°
- fittable without loss of poles
- color black
- Tape & Reel packaging
- Connection data

**cRUUS** V / A 300 / 15

**SEV** 6 A / 250 V / 4 kV / 3 / IEC 61984

# Data Sheet



## PT055xxHBHC

### Technical Data

#### General Data

Solder pin length	3.55 mm		
min. number of poles	2		
max. number of poles	12		
Insulating material class	CTI 600		
clearance/creepage dist.	3.7 mm		
protection category	IP 00		
Overvoltage category	III	III	II
Pollution degree	3	2	2
Rated voltage	250 V	630 V	630 V
Rated test voltage	4.0 kV	4.0 kV	4 kV

#### Connection data

 V / A	300 / 15		
	6 A / 250 V / 4 kV / 3 / IEC 61984		

#### Material

insulating material	PA66
flammability class	V0
contact pin material	CuZn
contact pin surface	Ni + Ag

#### Climatic properties

upper limit temperature	105 °C
lower limit temperature	-40 °C

#### General

solderability	For THR products acc. to IPC/JEDEC J-STD-020D-MSL 1   For THT products max. 260 °C / 10 s
Tolerance	ISO 2768 -mH



# Data Sheet

## PT055xxHBHC

Page 3/4

P/N

310391xx

xx=number of poles

2013/12/05

### Matching Part to

P/N	Product name
310071	RP025xxIBWC Typ 007
310261	FT085xxVBFC Type 026
310771	RP025xxIBWU Typ 077
311071	RP025xxHBWC Typ 107
ASP025	SP025xxHDNC ASP025



# Data Sheet

## PT055xxHBHC

Page 4/4

P/N

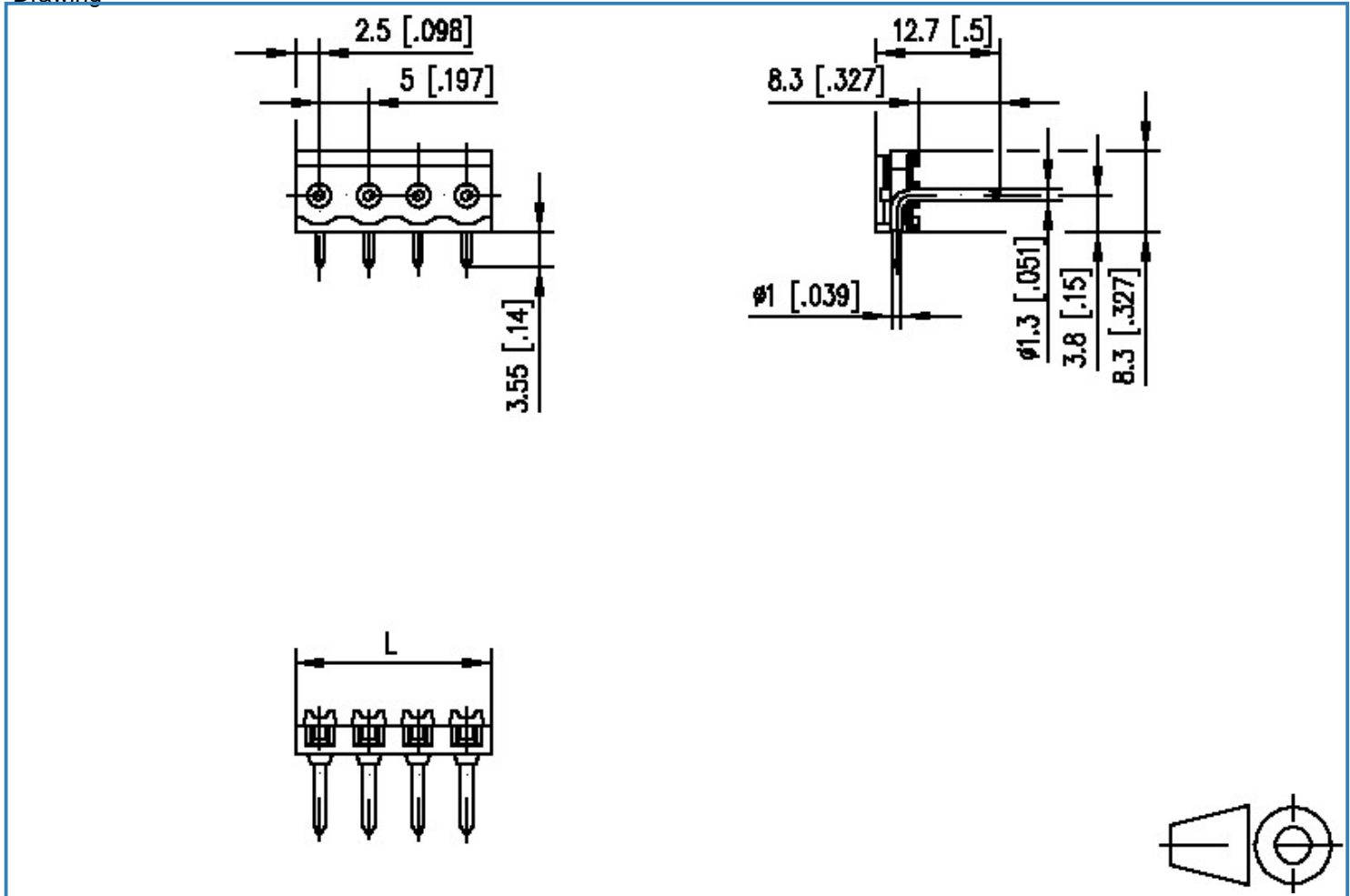
310391xx

xx=number of poles

2013/12/05

### Illustration

Drawing



$$L = (\text{pole size} - 1) \times \text{centerline} + 5 [0.197]$$

